

DIVERTER

Flow Control Valve

1-606H



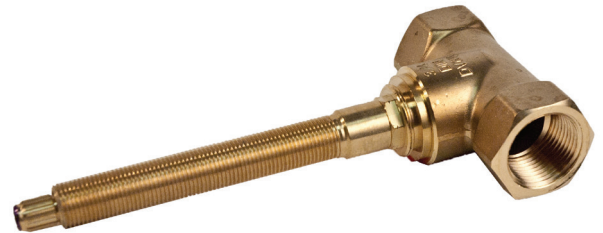
Features

- Solid brass construction
- Counter clockwise flow on direction.
- Quarter-turn washerless ceramic valve cartridge.
- 1/2" NPT female thread (inlet and outlet) valve body
- 12.5 gpm (gallons per minute) flow rate (@ 40 psi)
- Requires Newport Brass Handle Trim (many options available, sold-separately)

Codes / Standards Compliance

Meets or exceeds the following at date of manufacture:

- ASME A112.18.1/CSA B125.1
- IAPMO/Cupc
- IPC
- ASSE 1016
- All applicable US Federal and State material regulations



Specified Model

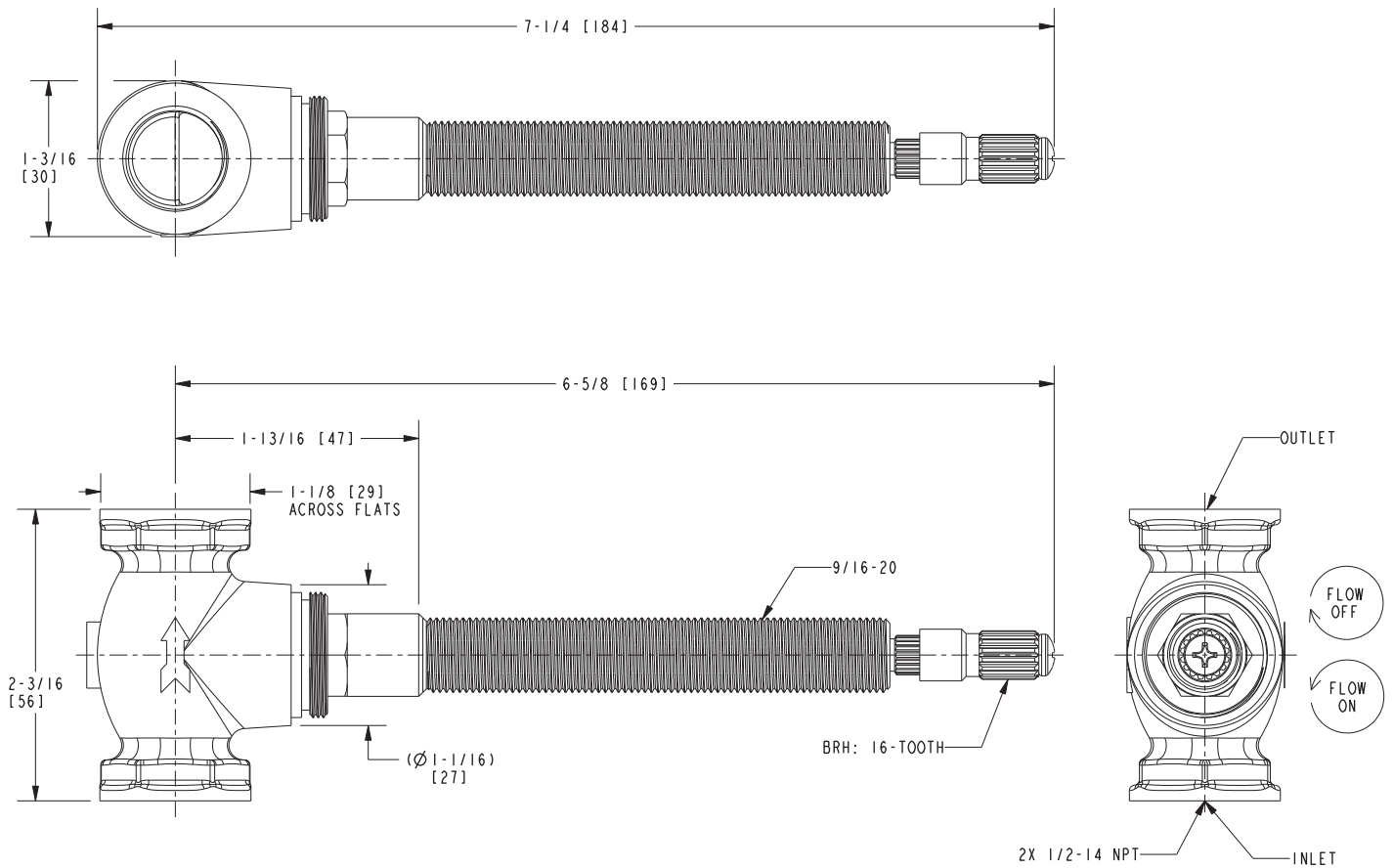
Model	Description	Colors Finishes
1-606H	Diverter/Flow Control Valve	<input type="checkbox"/> NA

Product Specification: Add "Color / Finish" suffix to Model number, below.

The Flow Control Valve for wall installations shall be made of solid brass construction. Valve body shall incorporate quarter-turn washerless ceramic disc valve cartridges. Valve shall have a maximum flow rate of 12.5 gpm (gallons per minute) @ 40 psi. Valve body shall have 1/2" NPT female thread for inlet and outlet. The Flow Control Valve for wall installations shall be Newport Brass Model 1-606H.

1-606H

PRODUCT DIMENSIONS *(Units are in inches)*



Newport Brass Diverter 1-606H