

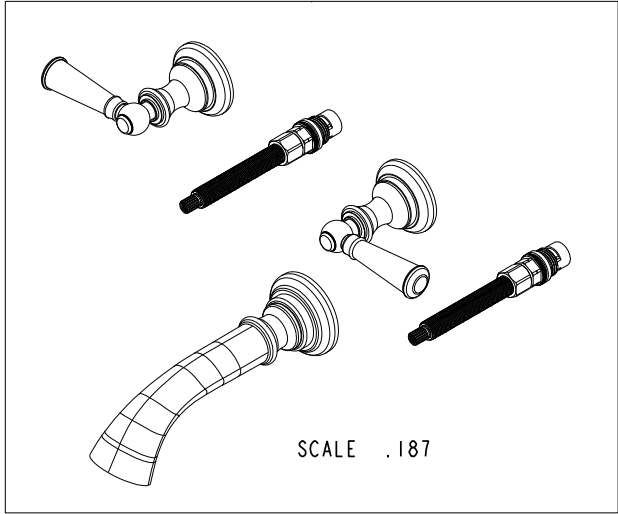
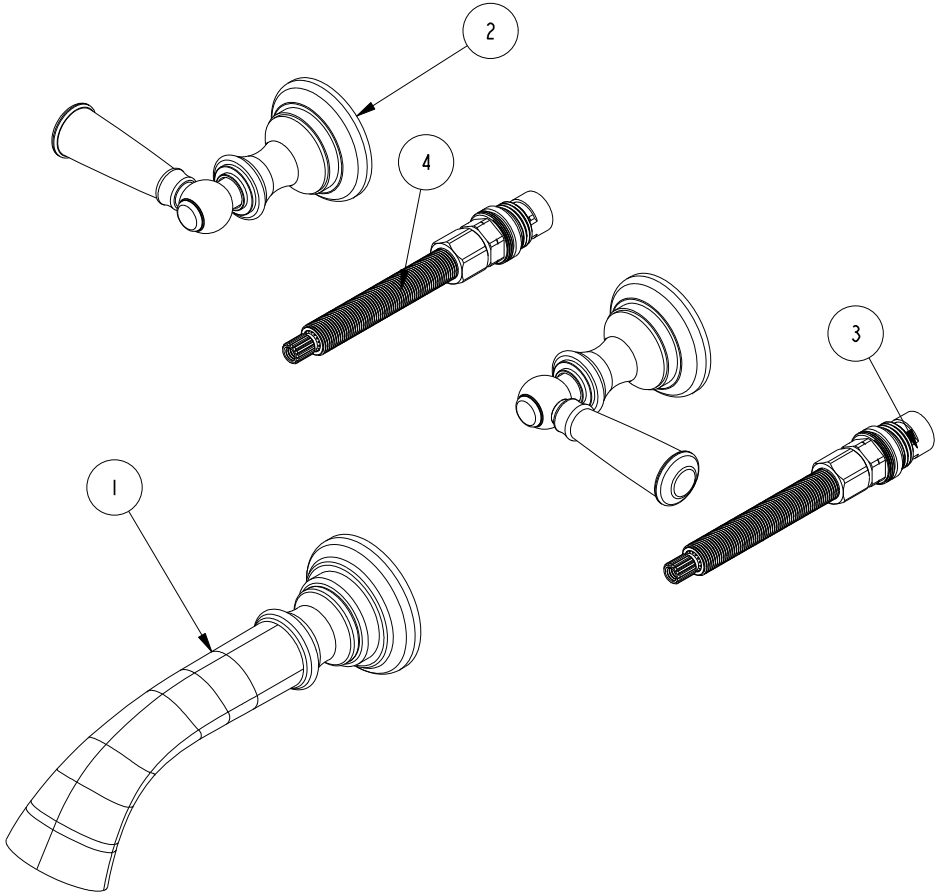
4

3

2

BILL OF MATERIAL (CURRENT LEVEL)

ITEM	PT/ASSY	DESCRIPTION	TYPE	QTY.
1	3-388	SPOUT ASM WITH ESCUTCHEON TUB	ASSEMBLY	1
2	3-379	LEVER HANDLE ASSEMBLY	ASSEMBLY	2
3	1-543	T/S TORQ. CARTRIDGE COLD	ASSEMBLY	1
4	1-544	T/S TORQ. CARTRIDGE HOT	ASSEMBLY	1



COPYRIGHT 2005 BRASSTECH, INC. THESE DRAWINGS AND THE DESIGNS DEPICTED HEREIN ARE THE PROPRIETARY PROPERTY OF BRASSTECH. ANY USE OR REPRODUCTION IS SUBJECT TO THE EXPRESS APPROVAL OF BRASSTECH. UNAUTHORIZED USE IS STRICTLY PROHIBITED. ALL RIGHTS RESERVED.

BRASSTECH
INCORPORATED

2001 E. CARNEGIE AVE.
SANTA ANA, CA 92705
(949) 417-5207

WALL MOUNTED TUB TRIM KIT

ASSY. NO. 3-2455		-	-	-
SCALE .312	REF. -	SHEET 1 OF 3	REV	REV DESC
				DATE

4

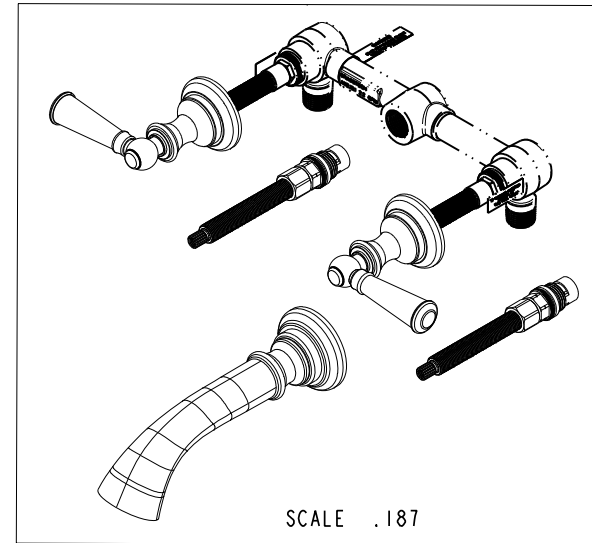
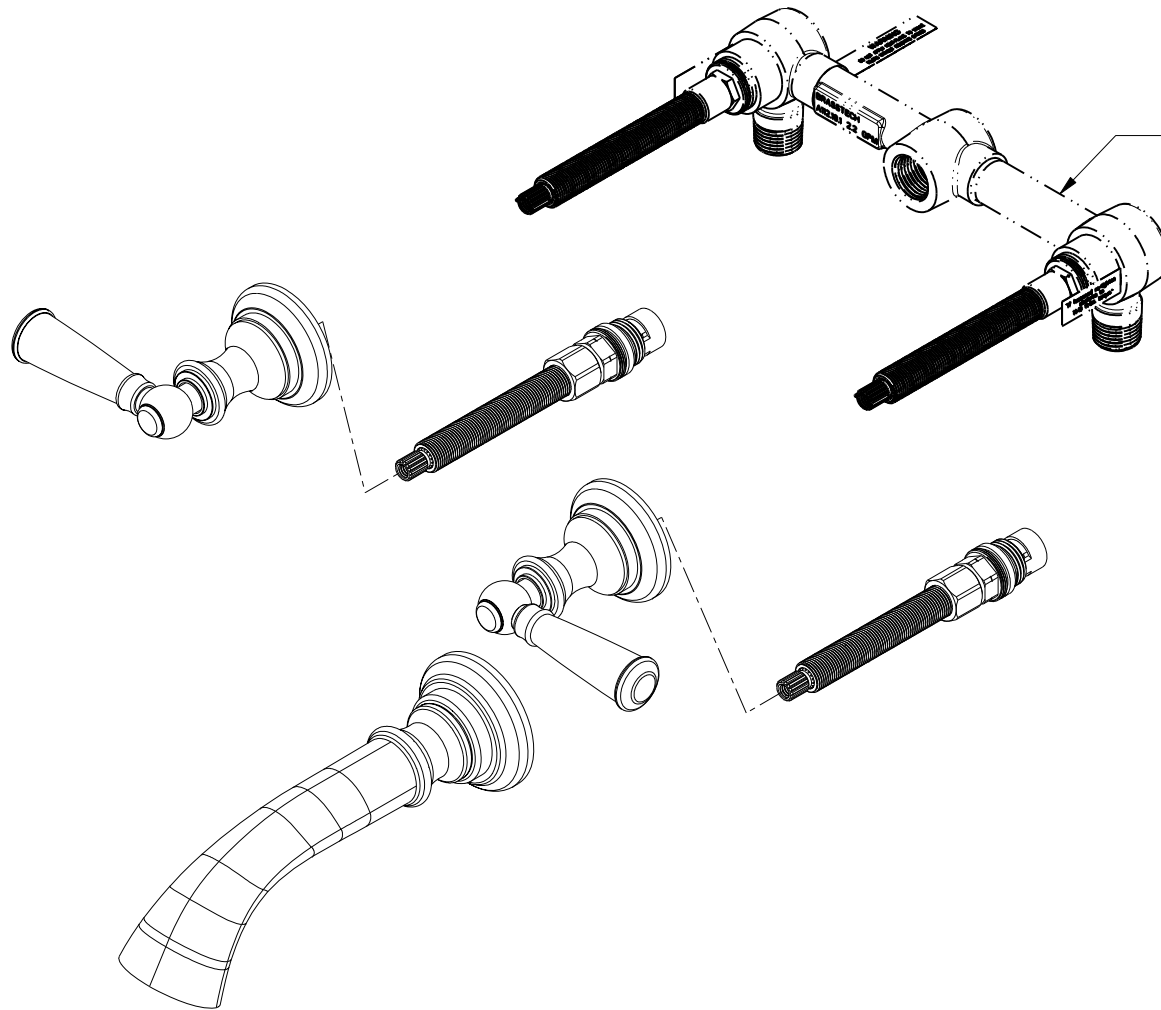
3

2

1

SPECIFICATION DWG

PN: 1-532
SOLD SEPARATELY



DIMENSIONS ARE IN INCHES AND AN APPROXIMATION OF A TYPICAL INSTALLATION

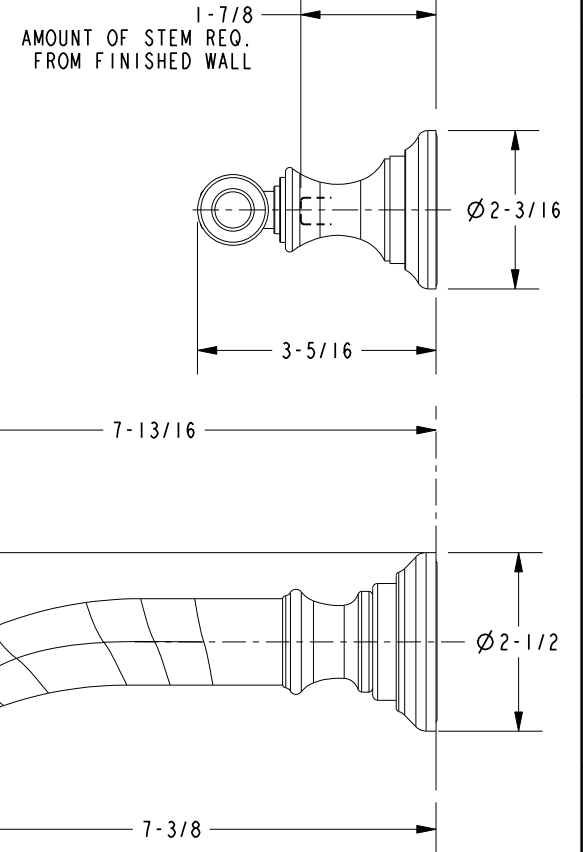
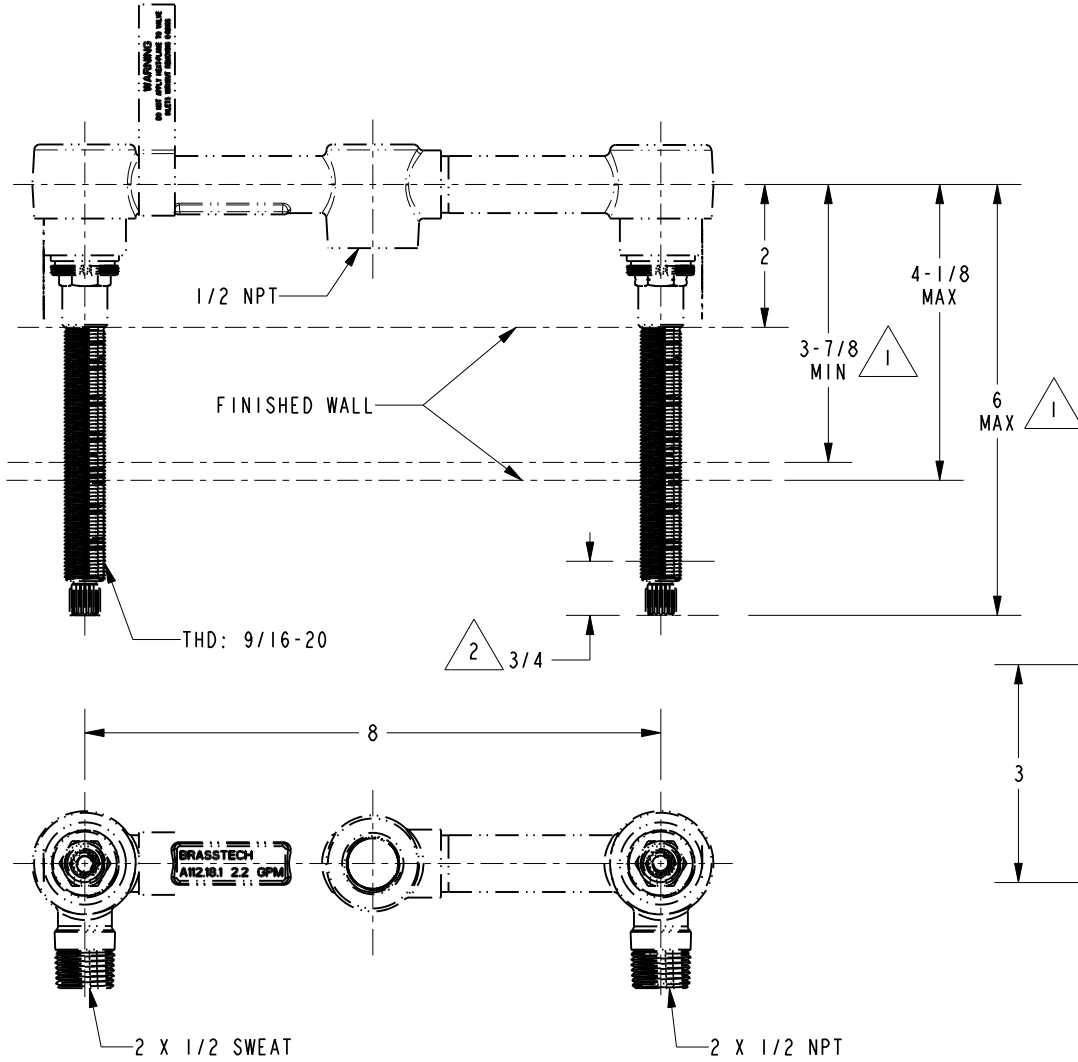
COPYRIGHT 2005 BRASSTECH, INC. THESE DRAWINGS AND THE DESIGNS DEPICTED HEREIN ARE THE PROPRIETARY PROPERTY OF BRASSTECH. ANY USE OR REPRODUCTION IS SUBJECT TO THE EXPRESS APPROVAL OF BRASSTECH. UNAUTHORIZED USE IS STRICTLY PROHIBITED. ALL RIGHTS RESERVED.

BRASSTECH		2001 E. CARNEGIE AVE.	
INCORPORATED		SANTA ANA, CA 92705	
		(949) 417-5207	
DWG NO.	3-2455	REV	-
SCALE	.312	REF.	-
		SHEET	2 OF 3

SPECIFICATION DWG

NOTES:

- 1. CUT STEM AS SHOWN.
- 2. CUT ALL THREADS 3/4" SHORTER THAN STEM



DIMENSIONS ARE IN INCHES AND AN APPROXIMATION OF A TYPICAL INSTALLATION

COPYRIGHT 2005 BRASSTECH, INC. THESE DRAWINGS AND THE DESIGNS DEPICTED HEREIN ARE THE PROPRIETARY PROPERTY OF BRASSTECH. ANY USE OR REPRODUCTION IS SUBJECT TO THE EXPRESS APPROVAL OF BRASSTECH. UNAUTHORIZED USE IS STRICTLY PROHIBITED. ALL RIGHTS RESERVED.

BRASSTECH		2001 E. CARNEGIE AVE.
INCORPORATED		SANTA ANA, CA 92705
		(949) 417-5207
DWG NO.	3-2455	REV -
SCALE .375	REF. -	SHEET 3 OF 3