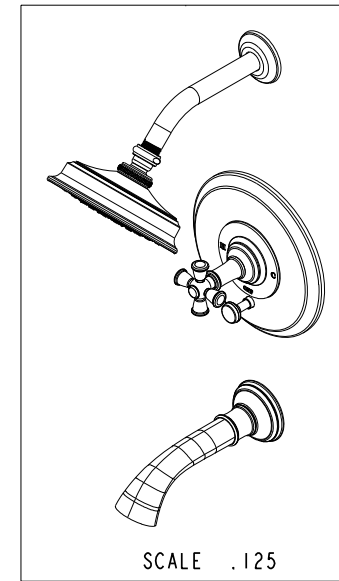
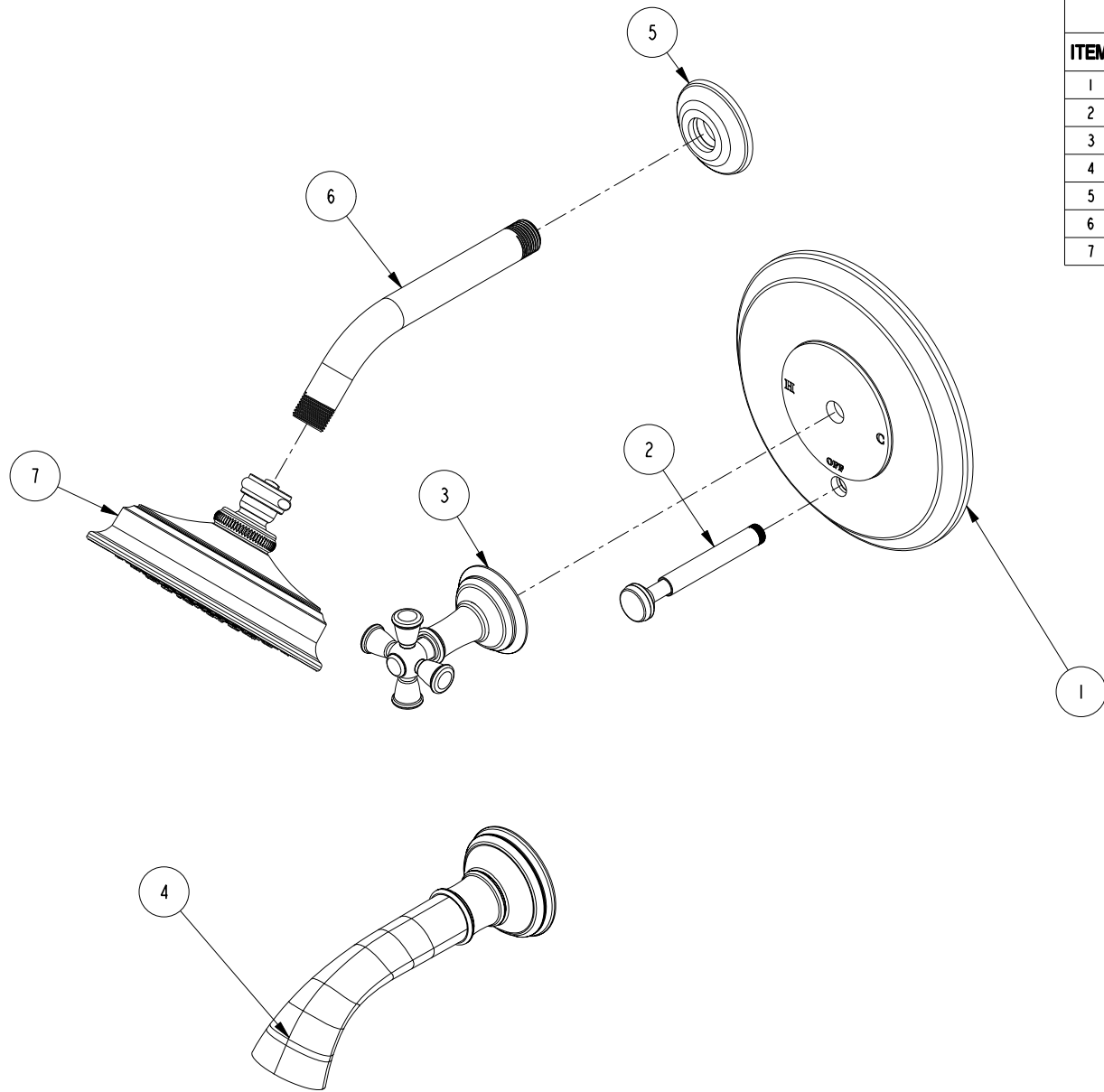


BILL OF MATERIAL (CURRENT LEVEL)				
ITEM	PT/ASSY	DESCRIPTION	TYPE	QTY.
1	2-659	TUB/SHOWER PLATE	ASSEMBLY	1
2	2-217	DIVERTER TRIM KIT	ASSEMBLY	1
3	3-374	CROSS HANDLE AND ESC. ASM	ASSEMBLY	1
4	3-383	SPOUT ASM W/ESCUTCHEOM WALL TUB	ASSEMBLY	1
5	2-503	SHOWER FLANGE ASM	ASSEMBLY	1
6	50822	8" SHWR ARM (201)	PART	1
7	2142	TRAD. SHOWER HEAD - SINGLE JET	ASSEMBLY	1



COPYRIGHT 2005 BRASSTECH, INC. THESE DRAWINGS AND THE DESIGNS DEPICTED HEREIN ARE THE PROPRIETARY PROPERTY OF BRASSTECH. ANY USE OR REPRODUCTION IS SUBJECT TO THE EXPRESS APPROVAL OF BRASSTECH. UNAUTHORIZED USE IS STRICTLY PROHIBITED. ALL RIGHTS RESERVED.

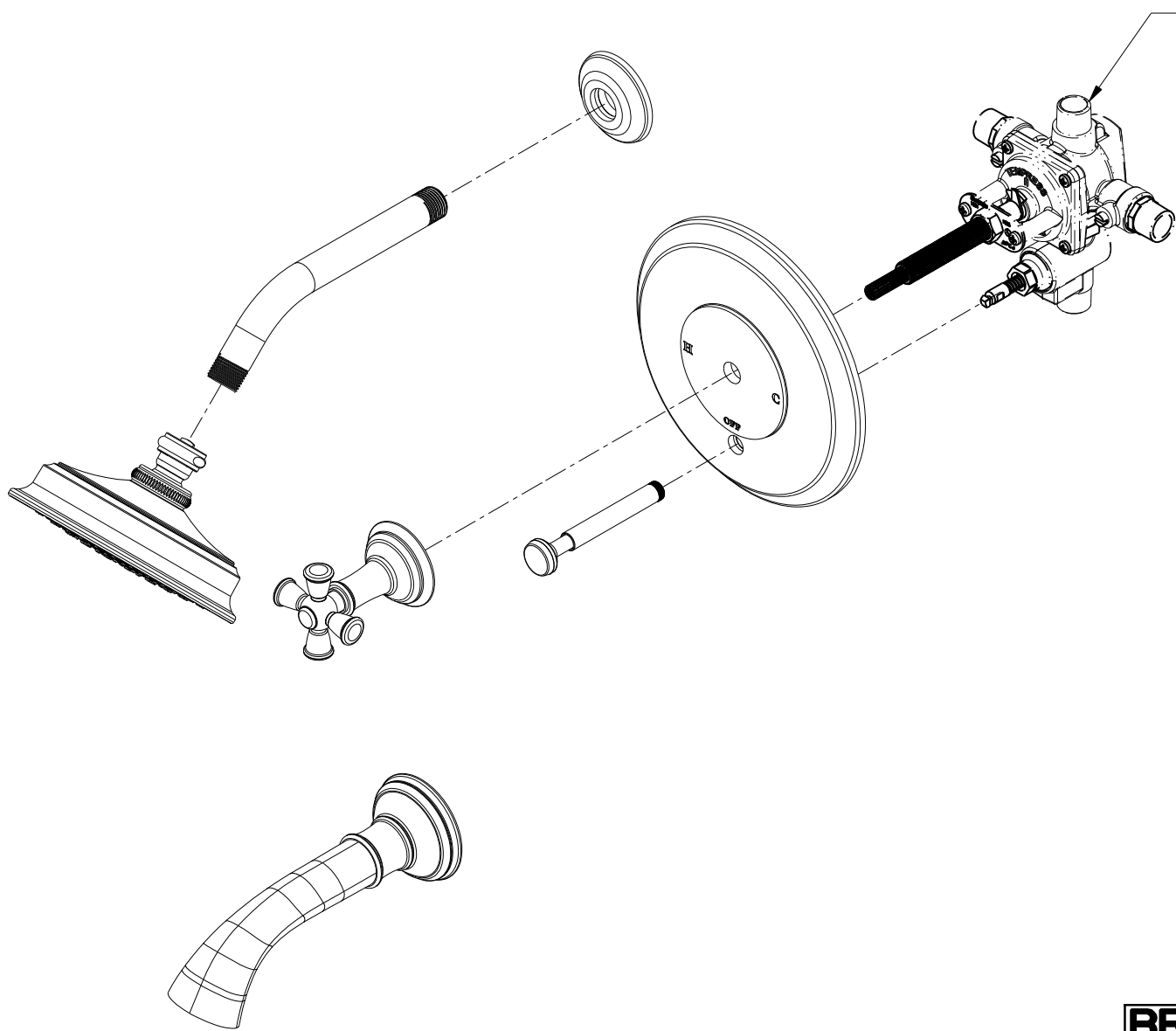
BRASSTECH
INCORPORATED
2001 E. CARNEGIE AVE.
SANTA ANA, CA 92705
(949) 417-5207

B/P TUB & SHOWER TRIM KIT ASM

ASSY. NO. 3-2402BP		-	-	-
SCALE .250	REF. -	SHEET 1 OF 3	REV	REV DESC
				EN-1266
				05/07/10
				DATE

SPECIFICATION DWG

PN- 1-595
SOLD SEPARATELY



DIMENSIONS ARE IN INCHES AND AN APPROXIMATION OF A TYPICAL INSTALLATION

COPYRIGHT 2005 BRASSTECH, INC. THESE DRAWINGS AND THE DESIGNS DEPICTED HEREIN ARE THE PROPRIETARY PROPERTY OF BRASSTECH. ANY USE OR REPRODUCTION IS SUBJECT TO THE EXPRESS APPROVAL OF BRASSTECH. UNAUTHORIZED USE IS STRICTLY PROHIBITED. ALL RIGHTS RESERVED.

BRASSTECH		2001 E. CARNEGIE AVE.
INCORPORATED		SANTA ANA, CA 92705
		(949) 417-5207
DWG NO.	3-2402BP	REV -
SCALE .250	REF. -	SHEET 2 OF 3

