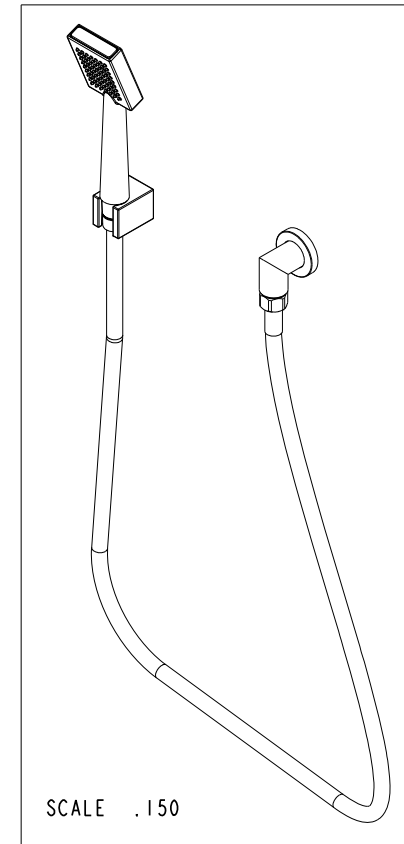
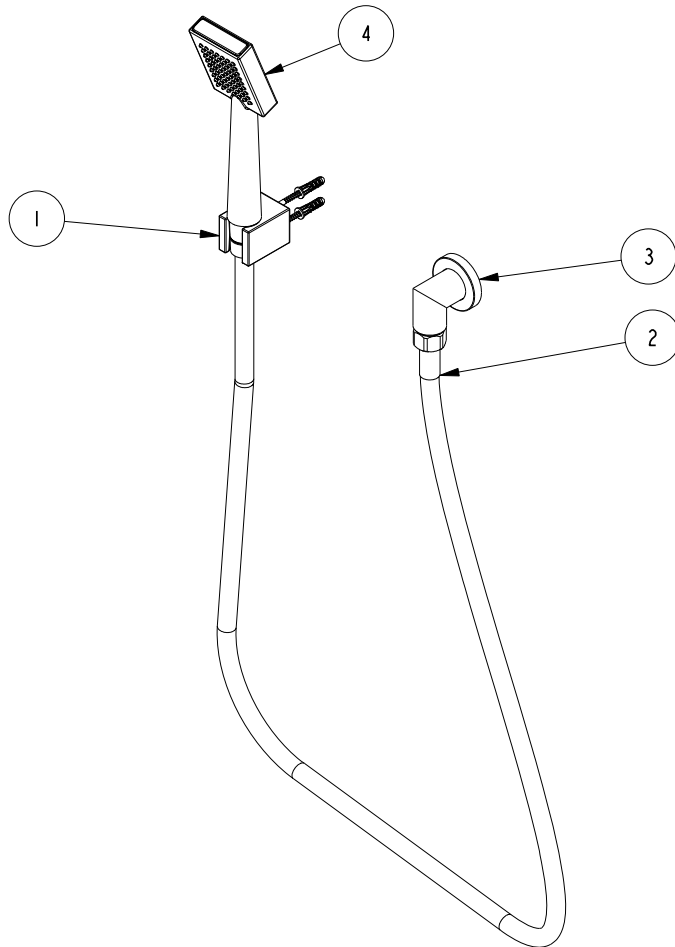


NOTES:

1. TO INSPECT ASSEMBLY, FOLLOW FIRST ARTICLE AND IN PROCESS INSPECTION SHEET.

**BILL OF MATERIAL (CURRENT LEVEL)**

ITEM	PT/ASSY	DESCRIPTION	TYPE	QTY.
1	296-1	WALL MOUNT FOR HAND SHOWER HOSE	ASSEMBLY	1
2	284	59 IN. SPIRAL SHOWER HOSE	ASSEMBLY	1
3	285-5	SUPPLY ELBOW ASSEMBLY	ASSEMBLY	1
4	283-4	HANDSPRAY ASSEMBLY	ASSEMBLY	1



ZONE	REV	DESCRIPTION	DATE	APPROVED
-	C	EN-4269-2	02/02/23	J.M.
-	B	EN-4300k	11/16/20	R.S.
-	A	EN-1735	06/10/11	-
-	-	EN-0995-3	01/31/11	-

COPYRIGHT 2005 BRASSTECH, INC. THESE DRAWINGS AND THE DESIGNS DEPICTED HEREIN ARE THE PROPRIETARY PROPERTY OF BRASSTECH. ANY USE OR REPRODUCTION IS SUBJECT TO THE EXPRESS APPROVAL OF BRASSTECH. UNAUTHORIZED USE IS STRICTLY PROHIBITED. ALL RIGHTS RESERVED.

TESTING	-	-	-
ASSEMBLY	-	-	-
PLATING	-	-	-
POLISHING	-	NEXT ASSY	USED ON
MACHINING	-	APPLICATION	
TOOLING FIXTURE #	REMOVE ALL BURRS AND SHARP EDGES		

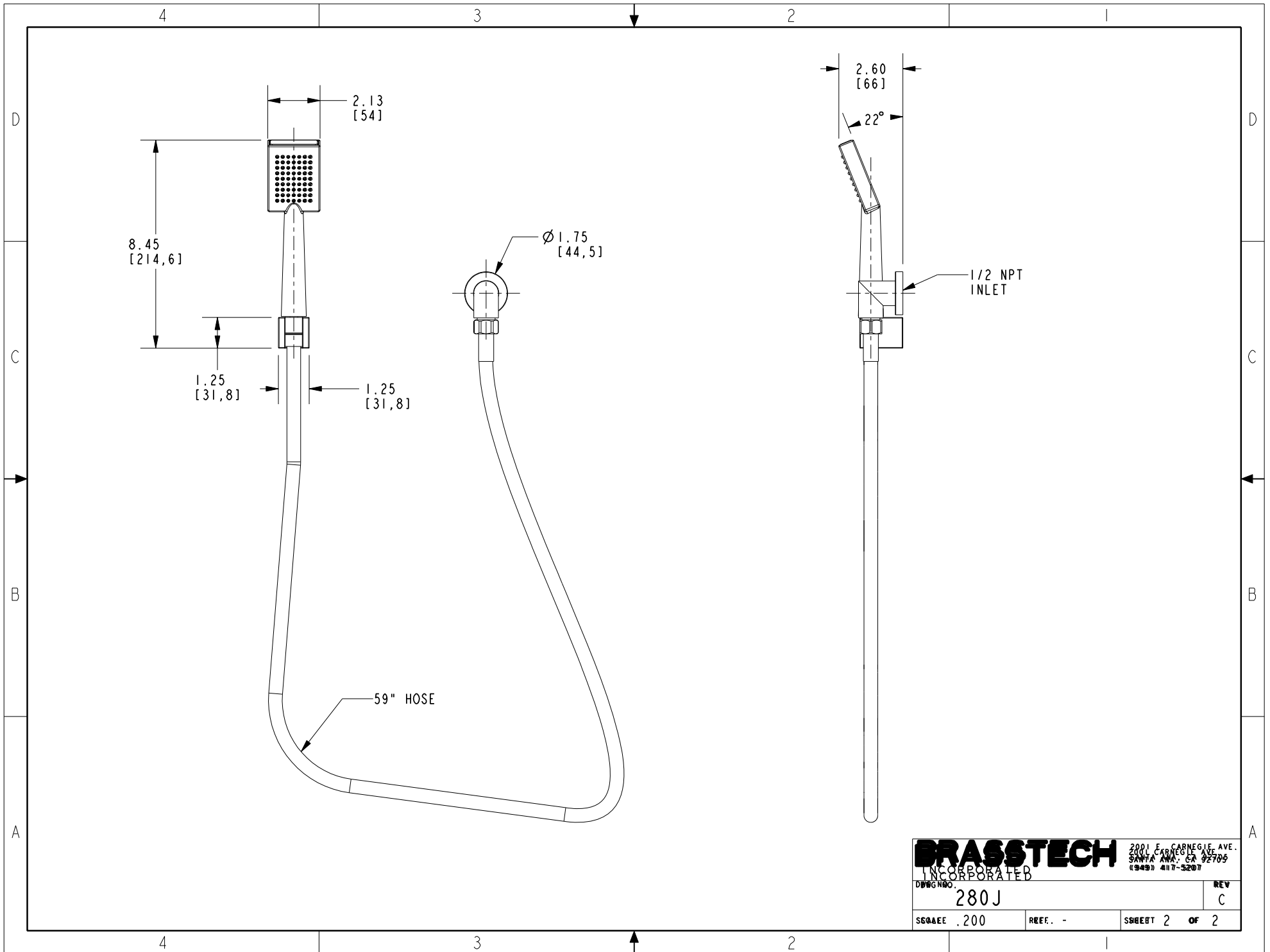
UNITS ARE: INCHES [MM]		
TOLERANCES ARE:		
FRACTIONS	DECIMALS	ANGLES
±1/16"	.X ±.1 [2.5]	±1°
	.XX ±.06 [1.5]	
(X.XXX) DENOTES CRITICAL DIMS. ALL THREADS ARE CRITICAL		
DRAWN	JINSON	11/16/20
CHECKED	R.S.	11/16/20
APPROVED	R.S.	11/16/20

**BRASSTECH** 2001 CARNEGIE AVE. SANTA ANA, CA 92705 (949) 417-5207  
INCORPORATED

**WALL HANDSHOWER SET**

DWG NO. **280J** REV C

SCALE .175 REF. - SHEET 1 OF 2



<b>BRASSTECH</b>		2001 E. CARNEGIE AVE.	
INCORPORATED		2001 CARNEGIE AVE.	
DRWG NO. 280J		SANTA ANA, CA 92705	
REV C		(949) 417-5207	
SCALE .200	REF. -	SHEET 2 OF 2	