

NEWPORT BATH

Shower Drain Throat **277-03**

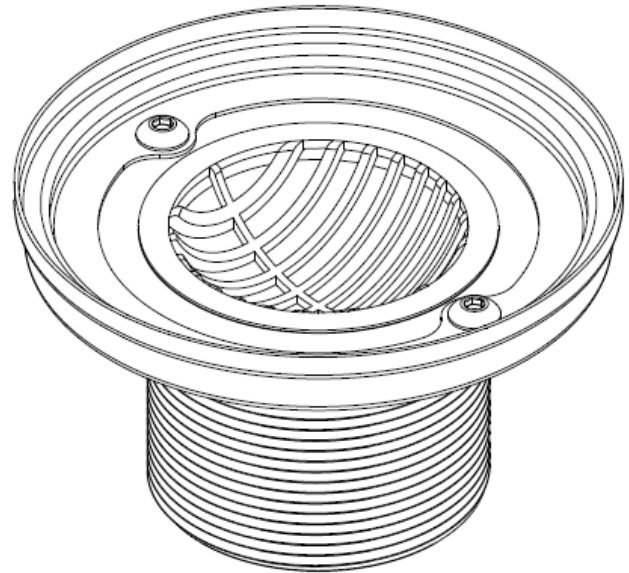
Features

- Solid brass and stainless steel construction
- O-ring retention system across 4" round inlet
- 4" Dome Strainer
- 2" IPS outlet
- Compatible with most 2" IPS drain bodies

Codes / Standards Compliance

Meets or exceeds the following at date of manufacture:

- ASME A112.18.2-2011/CSA B125.2-11
- IAPMO/cUPC
- All applicable US Federal and State material regulations



Colors / Finishes

- NA: None

Specified Model

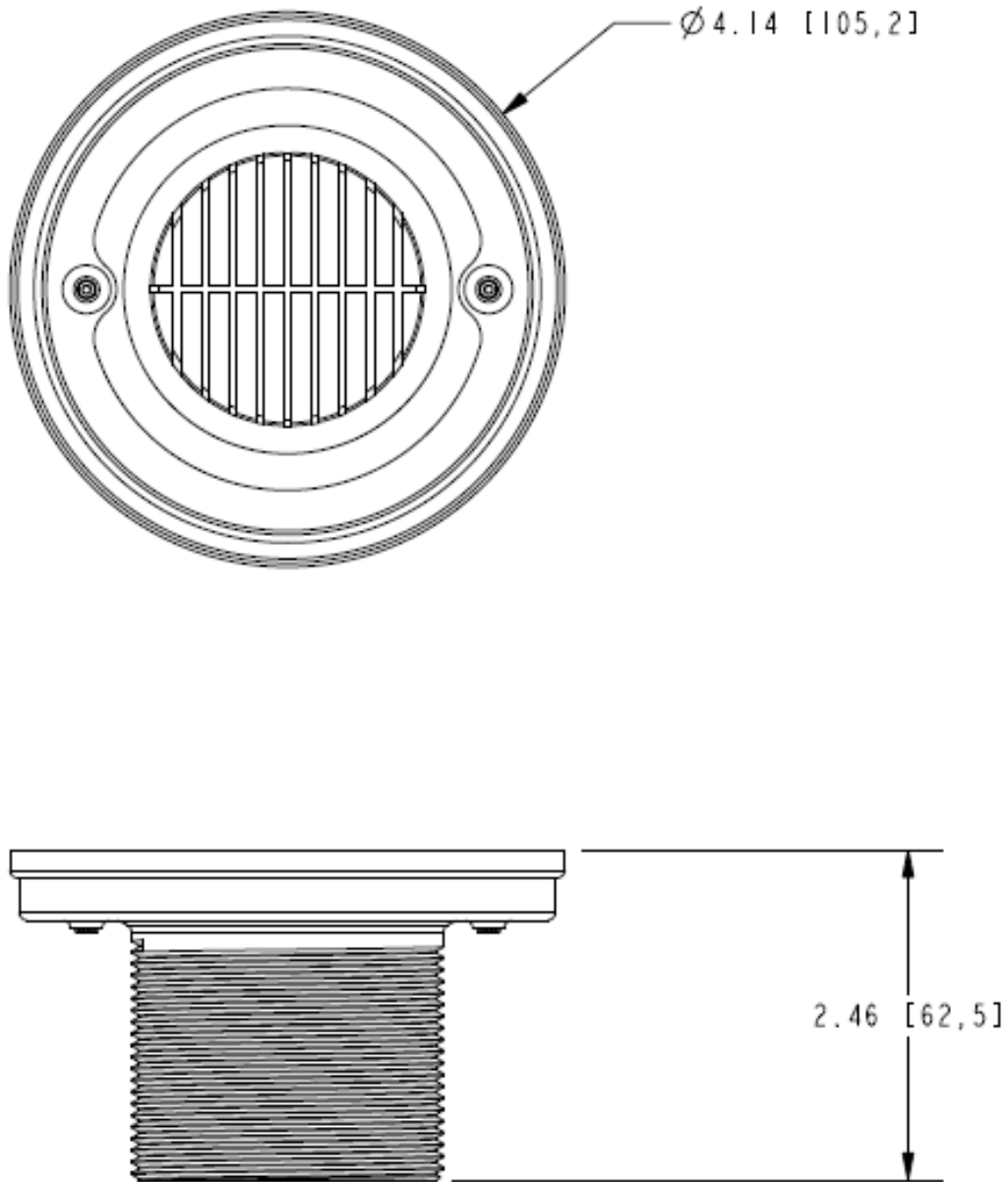
Model	Description	Colors Finishes
277-03	Round Shower Drain Throat	<input type="checkbox"/> NA

Product Specification: Add size designator and "Color / Finish" suffix to Model number, below.

The Round Shower Drain Throat shall be made of solid brass and stainless steel construction. Product shall utilize an O-ring attachment method in a 4" stainless steel inlet tray. Product shall include a 4" dome strainer. Shower Drain Throat shall incorporate a 2" IPS outlet. Shower Drain Throat shall be Newport Brass Model 277-03.

277-03

PRODUCT DIMENSIONS *(Units are in inches)*



Newport Bath Round Shower Drain Throat

277-03

Page 2 of 2 Spec_277-03

NEWPORT BRASS
Flawless Beauty. From Faucet to Finish.™

t: 949.417.5207 | www.newportbrass.com
©2014 Brasstech, Inc.