

Installation Instructions

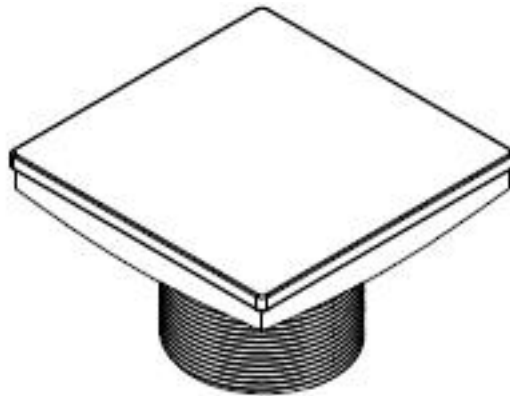
THROAT ASSEMBLY

Model No: NWP 277-01

NWP 277-02

NWP 277-03

NEWPORT BRASS
Flawless Beauty. From Faucet to Finish.™



277-01



277-02



277-03

2001 CARNEGIE AVE, SANTA ANA CA 92705

(949) 417-5207

WWW.NEWPORTBRASS.COM

INSTALLATION INSTRUCTIONS

- **Brasstech recommends this product be installed by licensed contractor(s)**

THROAT/GRID HEIGHT ADJUSTMENT (see figure 1)

1. To obtain proper grid height, rotate THROAT ASSEMBLY [8] to raise or lower. One complete rotation of THROAT ASSEMBLY [8] is equal to 1/8" in vertical adjustment. If throat does not thread onto drain body, use steel wire brush to remove excess paint from drain body threads.

2. Proper height should be determined by flooring contractor.

3. Before the final mortar application it is suggested to place some PEA GRAVEL [9] over WEEP HOLES [7] to prevent blockage of the holes.

NOTES: All figures show cast iron no-hub connection

277-01 engages with 2" IPS drain body [9]

277-02 engages with 4" IPS drain body [9]

277-03 engages with 2" IPS drain body [9]

