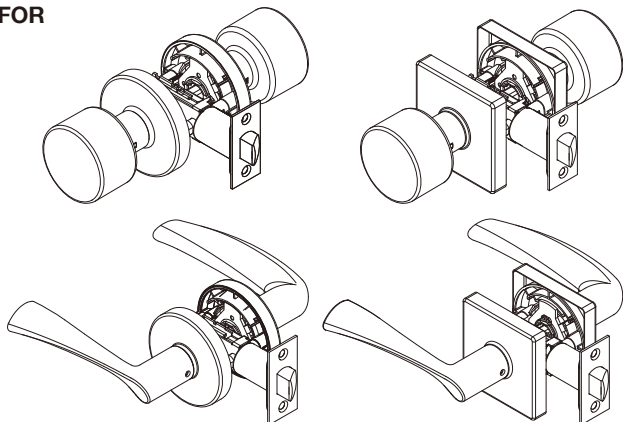


MISENO

USE AND CARE GUIDE

1 FOR



2 Safety Information

Read the precautions and instructions in this manual before installing and using this lock. Save this manual for future reference.



WARNING

If the door needs to be drilled, be familiar with how to use your drill safely, and understand all the door preparation steps before proceeding.



CAUTION

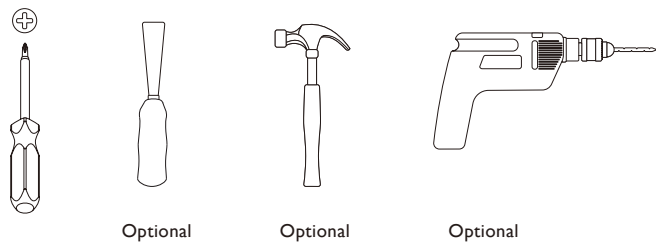
Before beginning the installation, please read and understand the entire manual.



NOTE

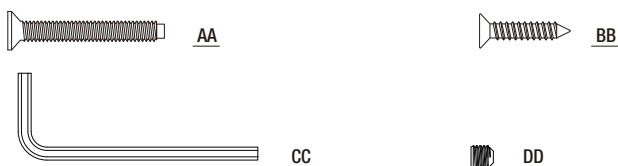
To ensure a long lasting finish, remove the locks, or do not install the locks, prior to painting your door. Periodically clean the locks with mild soap and a soft cloth. Do not use abrasives or harsh chemicals, and avoid sharp or scratching objects.

3 Pre-Installation — Tools Required/Hardware Included

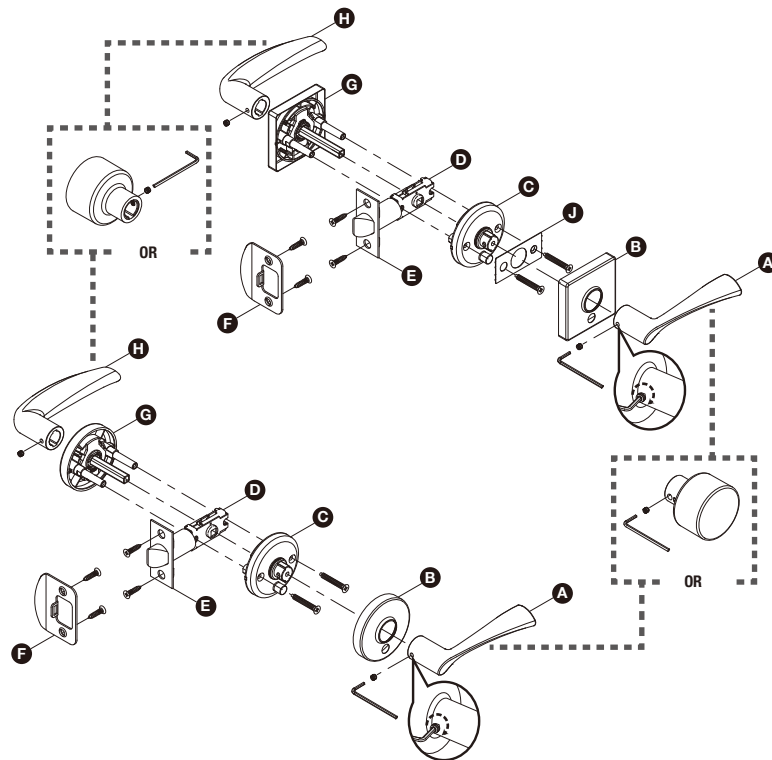


Part	Description	Quantity
AA	Mounting Screws	2
BB	Latch/Strike Plate Screws	4
CC	Allen wrench	1
DD	Set screw	2

Note: Not to scale.



Part	Description	Quantity
A	Interior lever	1
B	Interior rose	1
C	Interior rose plate	1
D	Latch	1
E	Faceplate	1
F	Strike Plate	1
G	Interior rose plate	1
H	Exterior lever	1
J	Inside square plate	1

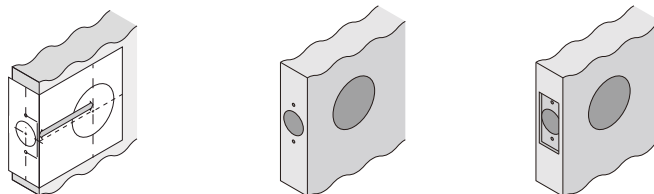


4 Pre-Installation (continued) — Door Preparation

NOTE: If your door already has holes, skip to Installation.

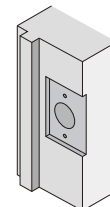
1 Using the template, mark the door and drill the holes, and chisel out a mortise.

NOTE: Drill from both sides to avoid wood splitting.



2 Prepare the door jamb — using the strike plate as a pattern, drill the latch and screw holes, and chisel out a mortise until the strike plate fits flush

NOTE: To assure proper lockset function, the holes in the door jamb must be drilled 1/2 in. (13 mm) deep.



TEMPLATE

Drill a 1" (25 mm) diameter hole at the center of the door edge.

Fold here.
Place on the door edge.

1-3/4" (45 mm) 1-9/16" (40 mm) 1-3/8" (35 mm)

Ø 2-1/8" (54 mm)

Backset

2-3/8" (60 mm)

Backset

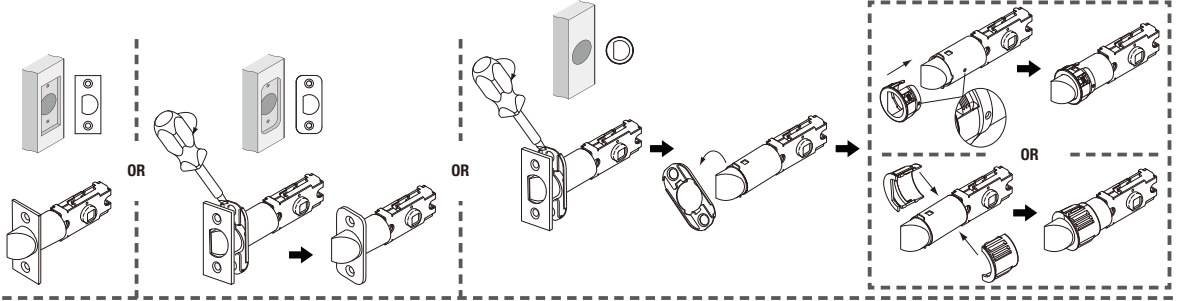
2-3/4" (70 mm)

NOTE: Double check your product for the correct hole sizes.

5 Installation

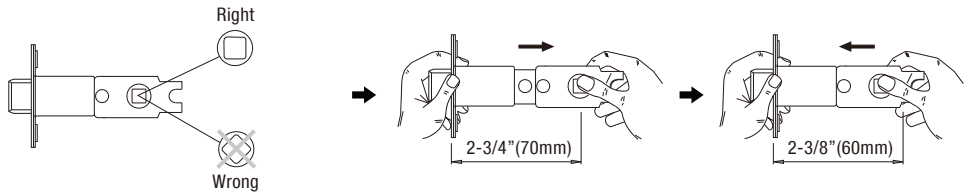
1 INSTALLING THE LATCH

A. Attach the correct faceplate



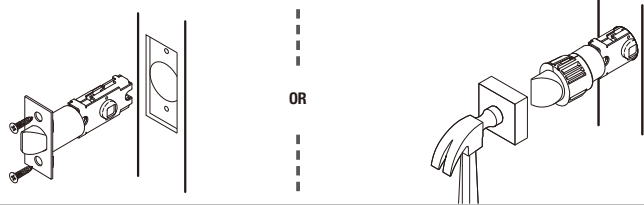
B. Set the latch backset

CAUTION: Be sure the latch cam is upright before making any backset adjustment.



C. Install the latch

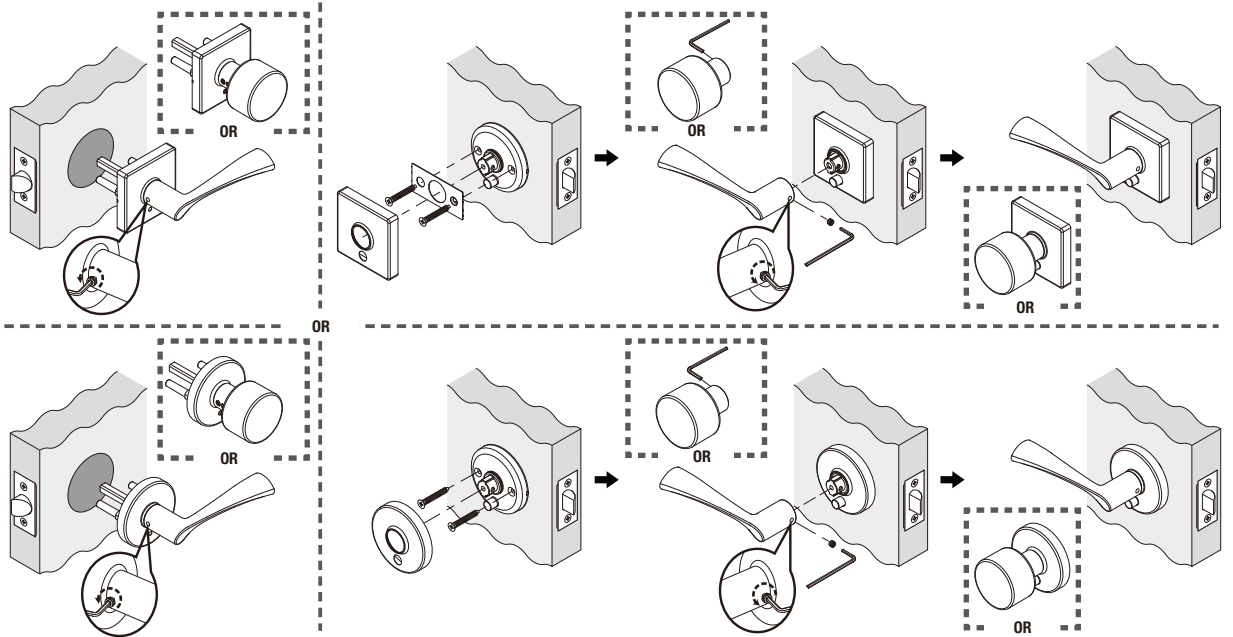
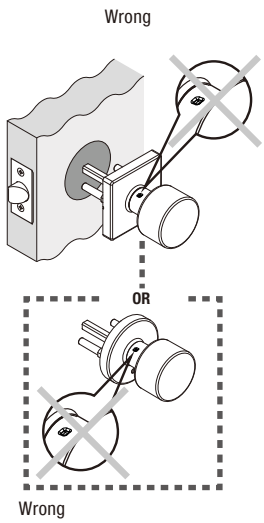
NOTE: The bevel should face the door jamb.



2 INSTALLING THE LEVERS

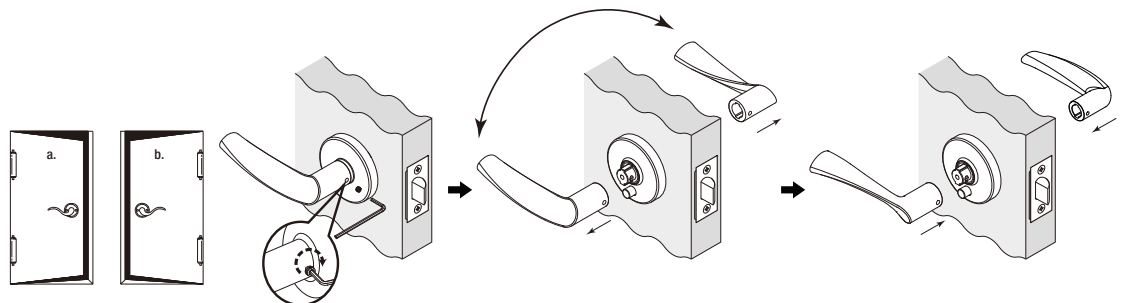
A. Install the exterior lever

B. Install the interior lever



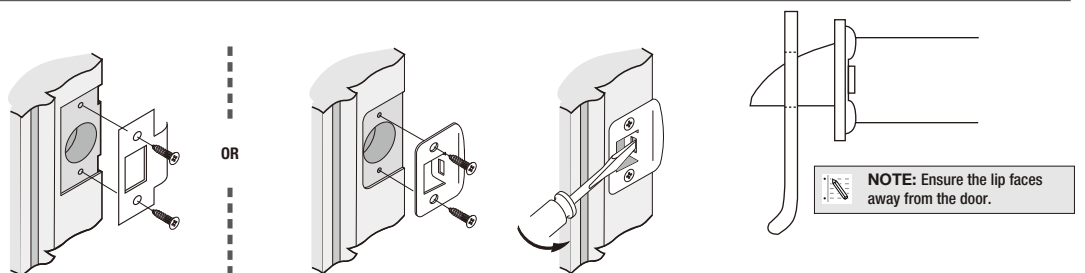
SWITCHING THE HANDLES (IF DESIRED)

NOTE: Levers installed in reverse will not affect the product's performance.



3 INSTALLING THE STRIKE PLATE

NOTE: If required, bend the adjustable tang on the strike to eliminate a loose fit between the door and the door stop.



NOTE: Ensure the lip faces away from the door.