

### Features

- Integral flange.
- Integral apron.
- Integral lumbar support.
- Includes jet trim: Vibrant Brushed Nickel.
- 66" (1676 mm) x 32" (813 mm) x 17" (432 mm)

### Material

- Cast iron with Safeguard® finish.

### Hydrotherapy

- Left drain.
- 44 BubbleMassage™ airjets. 18 levels of massage intensity.
- Zones of Control feature allows you to target massage to back, midsection, or feet.
- Automatic purge cycles remove residual water from air channels after use.
- Built-in 300 W heater.
- Lighted keypad control.

### Installation

- Alcove

### Recommended Accessories

K-37380 30" Rough-in Cable Bath Drain  
K-37383 30" Rough-in Cable Bath Drain  
K-7259 Clearflo Bath Drain



ADA

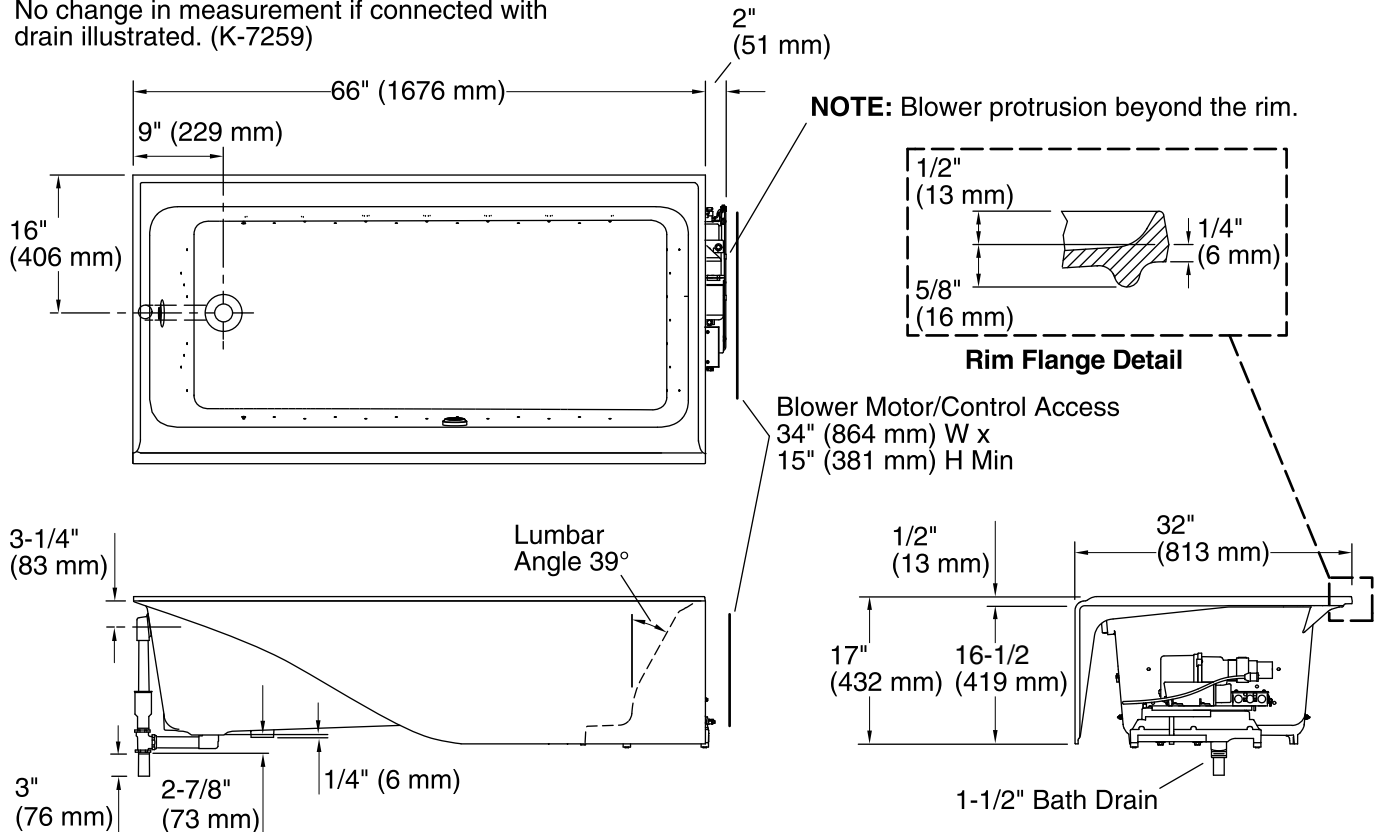
### Codes/Standards

ASME A112.19.1/CSA B45.2  
ASME A112.19.7/CSA B45.10  
ASTM F462  
UL 1795  
CSA C22.2 No. 218.2  
ADA  
ICC/ANSI A117.1  
CARB P2

### KOHLER® Lifetime Limited Warranty for Cast Iron Components

See website for detailed warranty information.

No change in measurement if connected with drain illustrated. (K-7259)



## Required Electrical Service

One dedicated circuit required, protected with Class A Ground-Fault Circuit-Interrupter (GFCI) or Residual Current Device (RCD).

Blower: 240 V, 15 A, 50/60 Hz

## Technical Information

All product dimensions are nominal.

Installation: 3-Wall Alcove  
 Drain location: Left  
 Basin area, bottom: 50-3/4" x 20-5/16" (1289 mm x 516 mm)  
 Basin area, top: 58-7/16" x 22-5/8" (1484 mm x 575 mm)  
 Weight: 470 lbs (213.2 kg)  
 Minimum floor load: 61.6 lbs/ft<sup>2</sup> (300.8 kg/m<sup>2</sup>)  
 Water depth: 11-11/16" (297 mm)  
 Water capacity: 49 gal (185.5 L)  
 Electrical component rating: Blower: 240 V, 5 A, 50/60 Hz  
 Blower speed: Variable  
 Minimum flat for door: 2-1/2" (64 mm)

## Notes

Measure your actual product for rough-in details. Install this product according to the installation instructions.  
 The hot water supply should be 70% of the capacity of the bath or greater. Installations will vary.  
 ADA compliant when installed to the specific requirements of these regulations.