

Features

- Brass construction
- Available with cross or lever handles
- Front seal plate assembly
- Handle assembly
- Complements Margaux™ Suite

THERMOSTATIC FAUCET TRIM SET

K-T16239

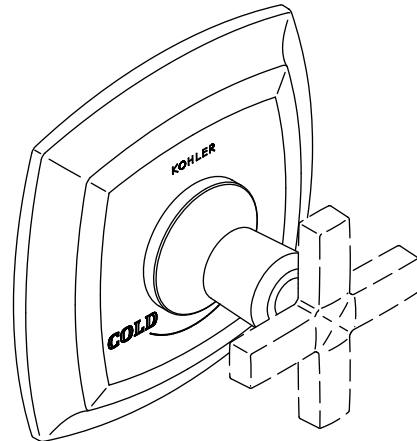
ALSO K-T16241, K-T16242

ADA

Codes/Standards Applicable

Specified model meets or exceeds the following:

- ADA
- ASME A112.18.1/CSA B125.1
- ICC/ANSI A117.1



Colors/Finishes

- CP: Polished Chrome
- Other: Refer to Price Book for additional colors/finishes

Accessories:

- NA: None applicable

Specified Model

Model	Description	Colors/Finishes	
K-T16239-3	Thermostatic valve trim, cross handle	<input type="checkbox"/> CP	<input type="checkbox"/> Other ____
K-T16239-4	Thermostatic valve trim, lever handle	<input type="checkbox"/> CP	<input type="checkbox"/> Other ____
K-T16241-3	Volume control trim, cross handle	<input type="checkbox"/> CP	<input type="checkbox"/> Other ____
K-T16241-4	Volume control trim, lever handle	<input type="checkbox"/> CP	<input type="checkbox"/> Other ____
K-T16242-3	Transfer valve trim, cross handle	<input type="checkbox"/> CP	<input type="checkbox"/> Other ____
K-T16242-4	Transfer valve trim, lever handle	<input type="checkbox"/> CP	<input type="checkbox"/> Other ____

For complete faucet, both faucet trim and valving must be specified.

Product Specification

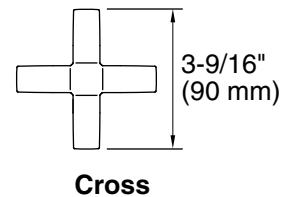
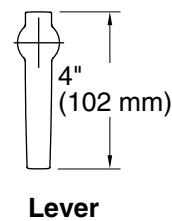
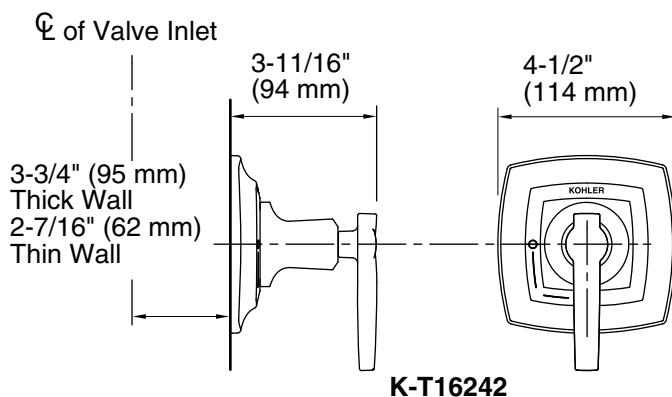
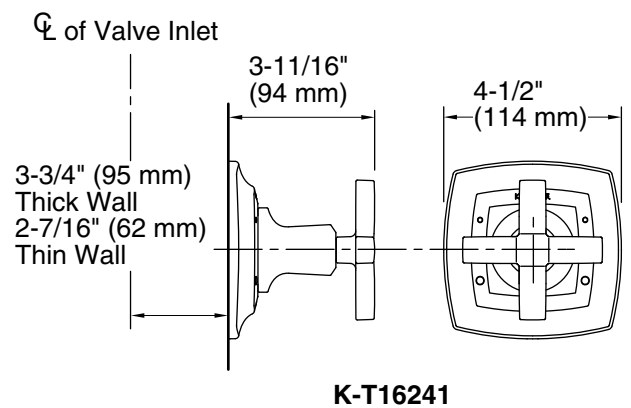
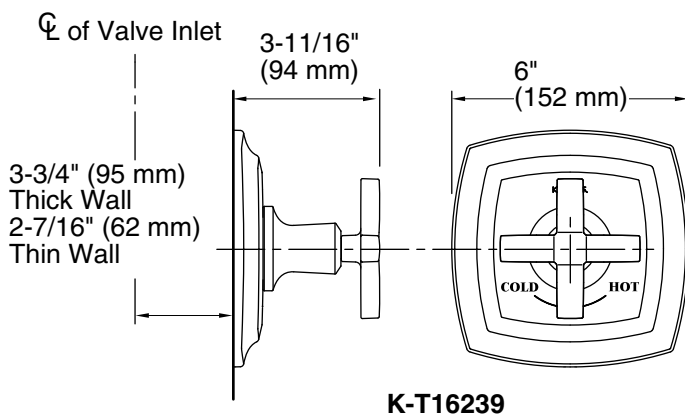
Thermostatic faucet trim set shall be of brass construction. Trim shall include front seal plate assembly and handle assembly. Faucet trim shall be available with cross or lever handles. Thermostatic faucet trim shall complement the Margaux Suite. Faucet trim shall be Kohler Model K-T____-____-____ and thermostatic valving shall be K-____-____-NA.

MARGAUX™

Required Accessories *		
K-2972-KS (replaces K-679-KS)	1/2" Thermostatic valve	<input type="checkbox"/> NA
K-2974-K (replaces K-681-K)	1/2" Volume control	<input type="checkbox"/> NA
K-2975-KS (replaces K-669-KS)	3/4" Thermostatic valve	<input type="checkbox"/> NA
K-2977-K (replaces K-671-K)	3/4" Volume control	<input type="checkbox"/> NA
K-728-K	3/4" Transfer valve	<input type="checkbox"/> NA
K-737-K	3/4" Diverter valve	<input type="checkbox"/> NA

Installation Notes

Install this product according to the installation guide.



Product Diagram