

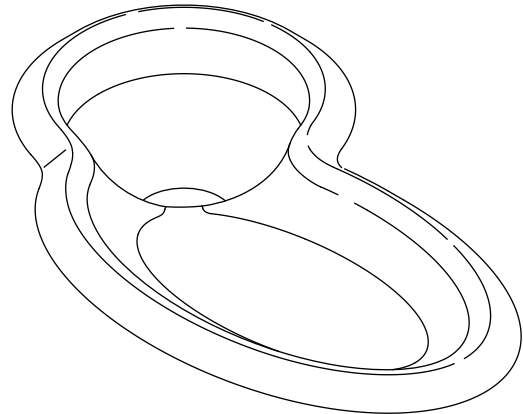
Features

- KOHLER cast iron
- Acid-resistant enamel finish
- Single bowl with wet work surface
- Top-mount or under-mount
- 28-13/16" (732 mm) x 19" (483 mm)

Codes/Standards Applicable

Specified model meets or exceeds the following:

- ASME A112.19.1/CSA B45.2



Colors/Finishes

- 0: White
- Other: Refer to Price Book for additional colors/finishes

Accessories

- CP: Polished Chrome

Specified Model

Model	Description	Colors/Finishes	
K-6494	Bar sink	<input type="checkbox"/> 0	<input type="checkbox"/> Other_____
Recommended Accessories			
K-5821	Cutting board	<input type="checkbox"/> NA	
K-9000	P-Trap	<input type="checkbox"/> CP	

Product Specification

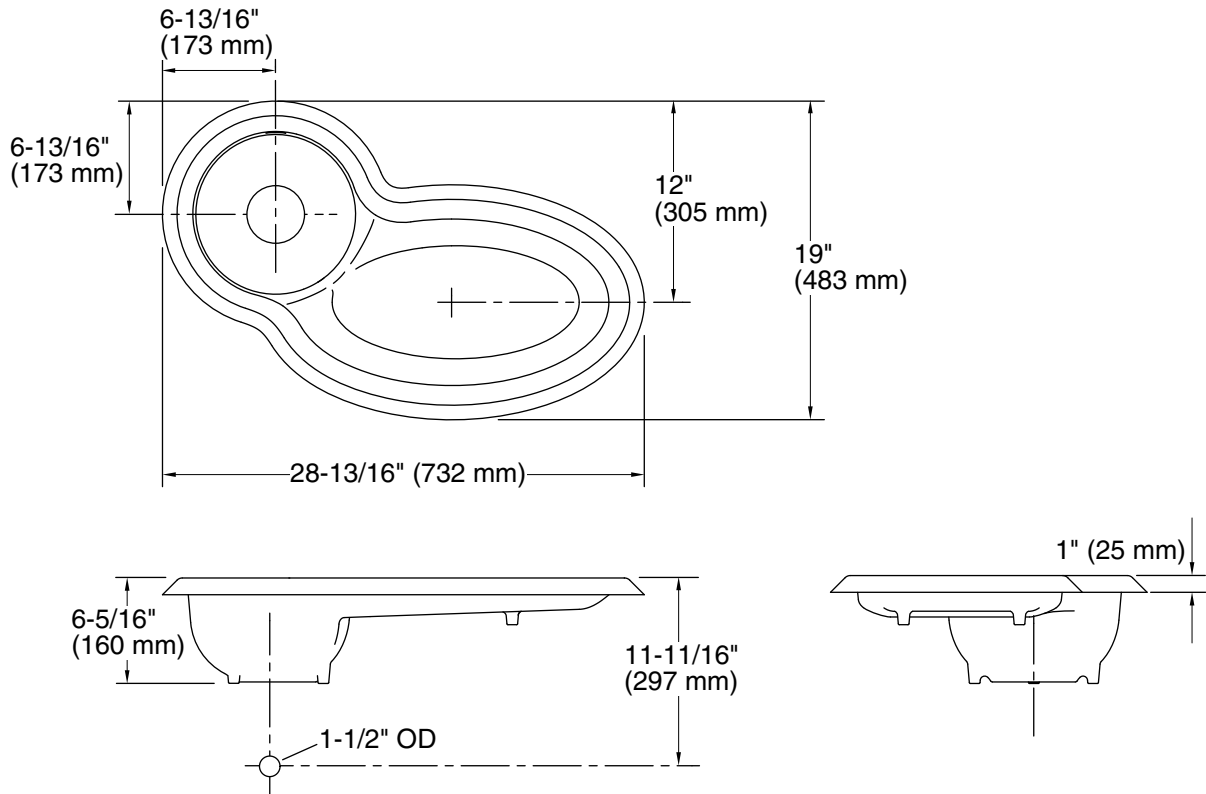
The bar sink shall be made of cast iron with acid-resistant enamel finish. Sink shall be 28-13/16" (732 mm) in length and 19" (483 mm) in width. Sink shall feature single bowl with wet work surface. Sink shall be for top-mount or under-mount installation. Sink shall be Kohler Model K-6494-_____.

Technical Information

Fixture*:	
Bowl area	9-7/8" (251 mm) x 9-7/8" (251 mm)
Wet work surface	17-1/16" (433 mm) x 10-7/16" (265 mm)
Water depth	5-5/8" (143 mm)
Drain hole	Ø 3-5/8" (92 mm)
* Approximate measurements for comparison only.	
Included components:	
Cut-out template	1067875-7

Installation Notes

Install this product according to the installation guide.



Product Diagram