

DUAL FLUSH TOILET K-3654



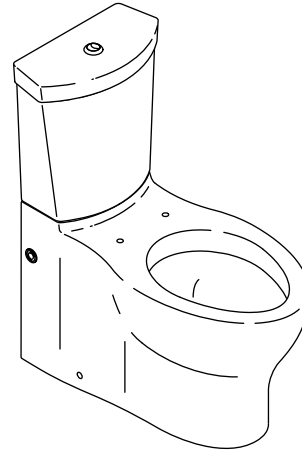
Features

- Vitreous china
- Elongated bowl
- Dual flush system
- Two-bolt installation system
- Includes polished chrome push buttons
- Less seat and supply
- Minimum 12" (305 mm) rough-in
- 1.6 gpf (6.0 lpf) or .8 gpf (3.0 lpf)
- 4-1/2" (114 mm) x 5-3/4" (146 mm) water area
- 27-5/8" (702 mm) x 14-3/16" (360 mm) x 31-1/2" (800 mm)

Codes/Standards Applicable

Specified model meets or exceeds the following:

- ASME A112.19.2/CSA B45.1
- ASME A112.19.14
- EPA WaterSense®



Colors/Finishes

- 0: White
- Other: Refer to Price Book for additional colors/finishes

Accessories

- CP: Polished Chrome

Specified Model

Model	Description	Colors/Finishes	
K-3654	Dual flush toilet	<input type="checkbox"/> 0	<input type="checkbox"/> Other_____
Required Accessories			
K-4774	Brevia™ elongated toilet seat	<input type="checkbox"/> 0	<input type="checkbox"/> Other_____
Recommended Accessories			
K-7659	3/8" NPT angle stop OR	<input type="checkbox"/> CP	
K-7660	1/2" NPT angle stop OR	<input type="checkbox"/> CP	
K-7668	3/8" NPT straight stop OR	<input type="checkbox"/> CP	
K-7678	1/2" NPT straight stop	<input type="checkbox"/> CP	

Product Specification

The elongated bowl toilet shall be made of vitreous china. Toilet shall be 27-5/8" (702 mm) in length, 14-3/16" (360 mm) in width, and 31-1/2" (800 mm) in height with a 4-1/2" (114 mm) by 5-3/4" (146 mm) water area. Toilet shall be two-bolt installation and minimum 12" (305 mm) rough-in. Toilet shall be 1.6 gpf (6.0 lpf) or .8 gpf (3.0 lpf) with Dual Flush flushing system. Toilet shall be less seat and supply. Toilet shall include polished chrome push buttons. Elongated bowl toilet shall be Kohler Model K-3654-____.

PERSUADE®

Technical Information

Fixture:	
Configuration	two-piece, elongated
Water per flush	1.6 gpf (6.0 lpf) or 0.8 gpf (3.0 lpf)
Passageway	2" (51 mm)
Water area	4-1/2" (114 mm) x 5-3/4" (146 mm)
Water depth from rim	8-1/2" (216 mm)
Seat post hole centers	5-1/2" (140 mm)

Included components:	
Bowl	K-4322
Tank	K-4419
Tank cover	1052066
Push buttons	1035417

Installation Notes

IMPORTANT! The rough-in must be 12" (305 mm) or more from the base of the wall or baseboard. The base of the toilet fits tightly against the wall or baseboard. The toilet will not fit correctly if there is less than 12" (305 mm) of clear space between the base of the wall or baseboard and the centerline of the outlet. Install or relocate the supply and outlet as necessary to conform to rough-in dimensions.

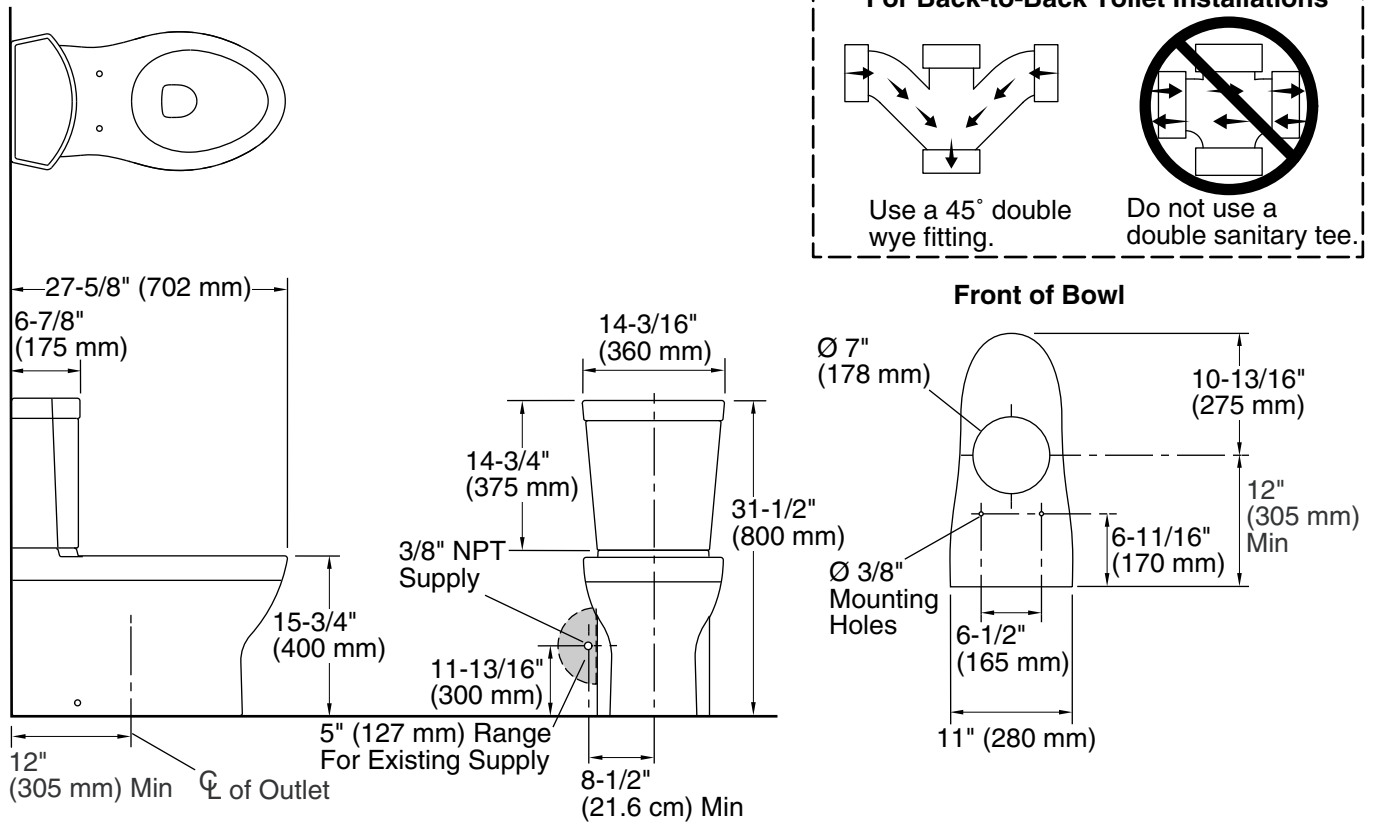
NOTE: If a baseboard causes the rough-in to be less than 12" (305 mm), it must be cut or removed to allow space for the toilet.

If this toilet is installed in new construction, install a new supply stop following the dimensions in the diagram.

In installations with the supply stop installed, the existing supply stop may need to be relocated if it is less than 8-1/2" (216 mm) from the centerline of the toilet. Dry fit the toilet to confirm if the supply stop needs to be relocated.

The supplied hose will extend roughly 6" (152 mm) from the toilet. If the supplied hose does not reach the supply stop, a longer supply hose may be used.

For back-to-back toilet installations: Use only a 45° double wye fitting.



Product Diagram