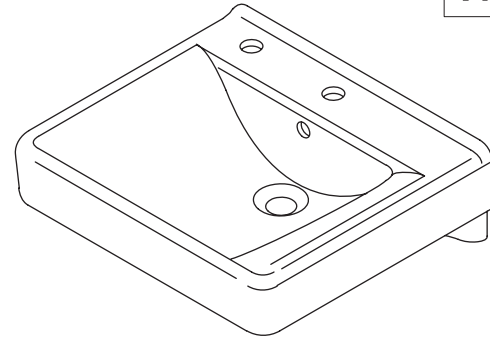


WALL-MOUNT LAVATORY K-2084

ADA

Features

- Vitreous china
- Wall-mount
- Single center hole
- With overflow
- ADA compliant
- Drilled for concealed arm carrier
- Optional soap dispenser hole on left (-L) or right (-R)
- 20" (50.8 cm) x 18" (45.7 cm)



Codes/Standards Applicable

Specified model meets or exceeds the following:

- ASME A112.19.2
- ADA
- CABO/ANSI A117.1
- IAPMO/UPC
- CSA B45

Colors/Finishes

- 0: White
- Other: Refer to Price Book for additional colors/finishes

Accessories:

- CP: Polished Chrome
- Other: Refer to Price Book for additional colors/finishes

Specified Model

| Model | Description | Colors/Finishes | |
|--------------------------------|--|----------------------------------|-------------------------------------|
| K-2084 | Single-hole lavatory less soap dispenser hole | <input type="checkbox"/> 0 White | <input type="checkbox"/> Other_____ |
| K-2084-L | Single-hole lavatory with soap dispenser hole on left | <input type="checkbox"/> 0 White | <input type="checkbox"/> Other_____ |
| K-2084-R | Single-hole lavatory with soap dispenser hole on right | <input type="checkbox"/> 0 White | <input type="checkbox"/> Other_____ |
| K-2084-N | Single-hole lavatory less overflow | <input type="checkbox"/> 0 White | <input type="checkbox"/> Other_____ |
| K-2084-NL | Single-hole lavatory with soap dispenser hole on left less overflow | <input type="checkbox"/> 0 White | <input type="checkbox"/> Other_____ |
| K-2084-NR | Single-hole lavatory with soap dispenser hole on right less overflow | <input type="checkbox"/> 0 White | <input type="checkbox"/> Other_____ |
| Recommended Accessories | | | |
| K-8998 | Trap | <input type="checkbox"/> CP | <input type="checkbox"/> Other_____ |

Product Specification:

The wall-mount lavatory shall be 20" (50.8 cm) in length, and 18" (45.7 cm) in width. Lavatory shall be made of vitreous china. Lavatory shall have single-hole drilling. Lavatory shall have overflow. Lavatory shall be ADA compliant. Lavatory shall be drilled for concealed arm carrier. Lavatory shall have optional soap dispenser hole on left (-L) or right (-R). Lavatory shall be Kohler Model K-2084-_____.

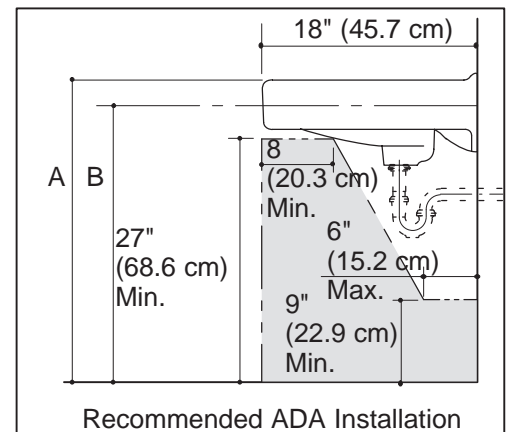
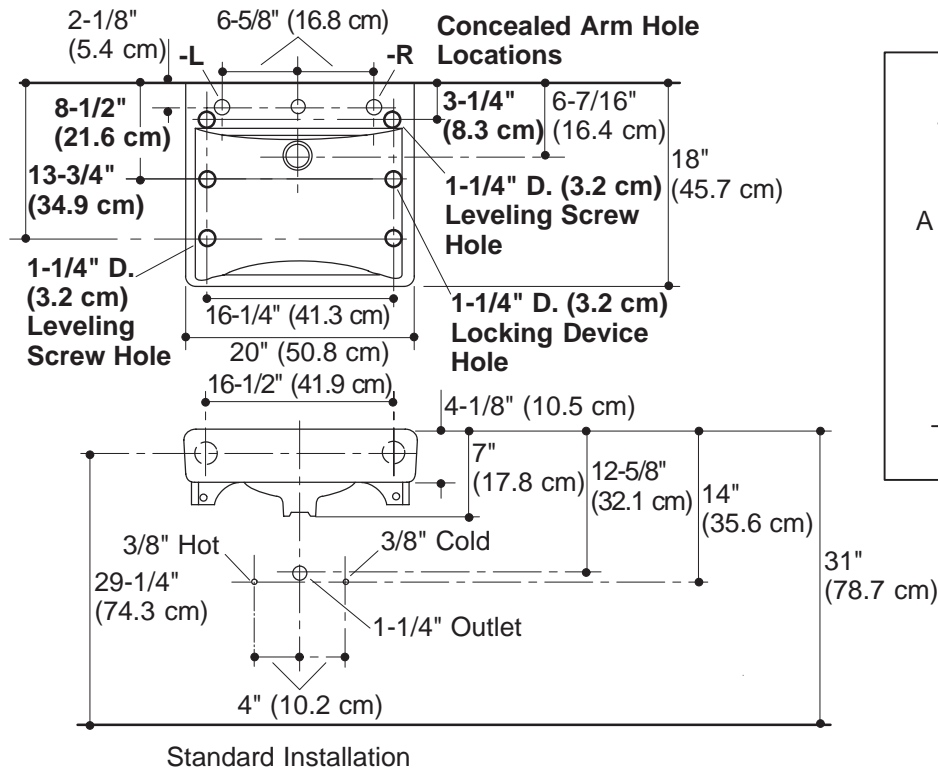
Technical Information

| | | | |
|---|--------------------|--------------------------------|------------------|
| ADA compliant | | | |
| Fixture:* | | basin area | water depth |
| Lavatory | | 18" (45.7 cm) x 13" (33 cm) | 4-7/8" (12.4 cm) |
| Drain hole | 1-3/4" D. (4.4 cm) | | |
| * Approximate measurements for comparison only. | | | |
| Spout hole | | Soap dispenser hole | |
| 1-3/8" D. (3.5 cm) | | 1-1/4" D. (3.2 cm) | |

Installation Notes

Install this product according to the installation guide.

A concealed arm carrier is required. It is **NOT** supplied by Kohler.



ADA rim height = A
 34" (86.4 cm) Max.
 32-1/2" (82.6 cm) Min.
 ADA arm carrier height = B
 32-1/4" (81.9 cm) Max.
 30-3/4" (78.1 cm) Min.

Product Diagram