

**SINGLE-CONTROL LAVATORY
FAUCET
K-12183**



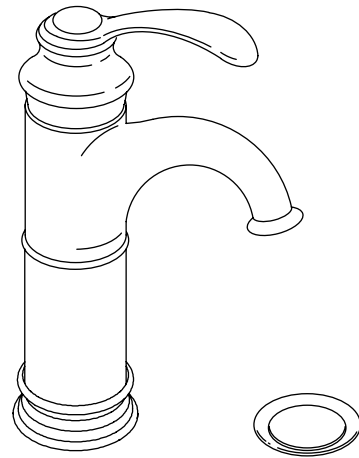
Features

- Metal construction
- One-piece, self-contained ceramic disc valve allows both volume and temperature control
- High-temperature limit setting for added safety
- Temperature memory allows faucet to be turned on and off at any temperature setting
- 5" (12.7 cm) spout reach
- Flexible supplies
- Touch-activated drain with tailpiece and no overflow
- 1.5 gallons (5.7 liters) per minute maximum flow rate

Codes/Standards Applicable

Specified model meets or exceeds the following at date of manufacture:

- ASME A112.18.1/CSA B125.1
- NSF 61
- Energy Policy Act of 1992
- EPA WaterSense®
- All applicable US Federal and State material regulations



Colors/Finishes

- CP: Polished Chrome
- Other: Refer to Price Book for additional colors/finishes

Accessories

- Other: Refer to Price Book for additional colors/finishes
- NA: None applicable

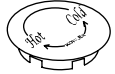
Specified Model

Model	Description	Color/Finish	
K-12183	Single control lavatory faucet	<input type="checkbox"/> CP	<input type="checkbox"/> Other _____

PRODUCT SPECIFICATION

The single-control lavatory faucet shall be made of metal construction. Product shall have a maximum flow rate of 1.5 gallons (5.7 liters) per minute. Product shall feature a one-piece, self-contained ceramic disc valve, which allows both volume and temperature control, and a high-temperature limit setting for added safety. Product shall feature temperature memory, allowing the faucet to be turned on and off at any temperature setting. Product shall feature a 5" (12.7 cm) spout reach, stationary spout, touch-activated drain with tailpiece and no overflow, flexible connections, and a lever handle. Product shall be for single-hole mounting. Faucet shall be Kohler Model K-12183-_____.

FAIRFAX®

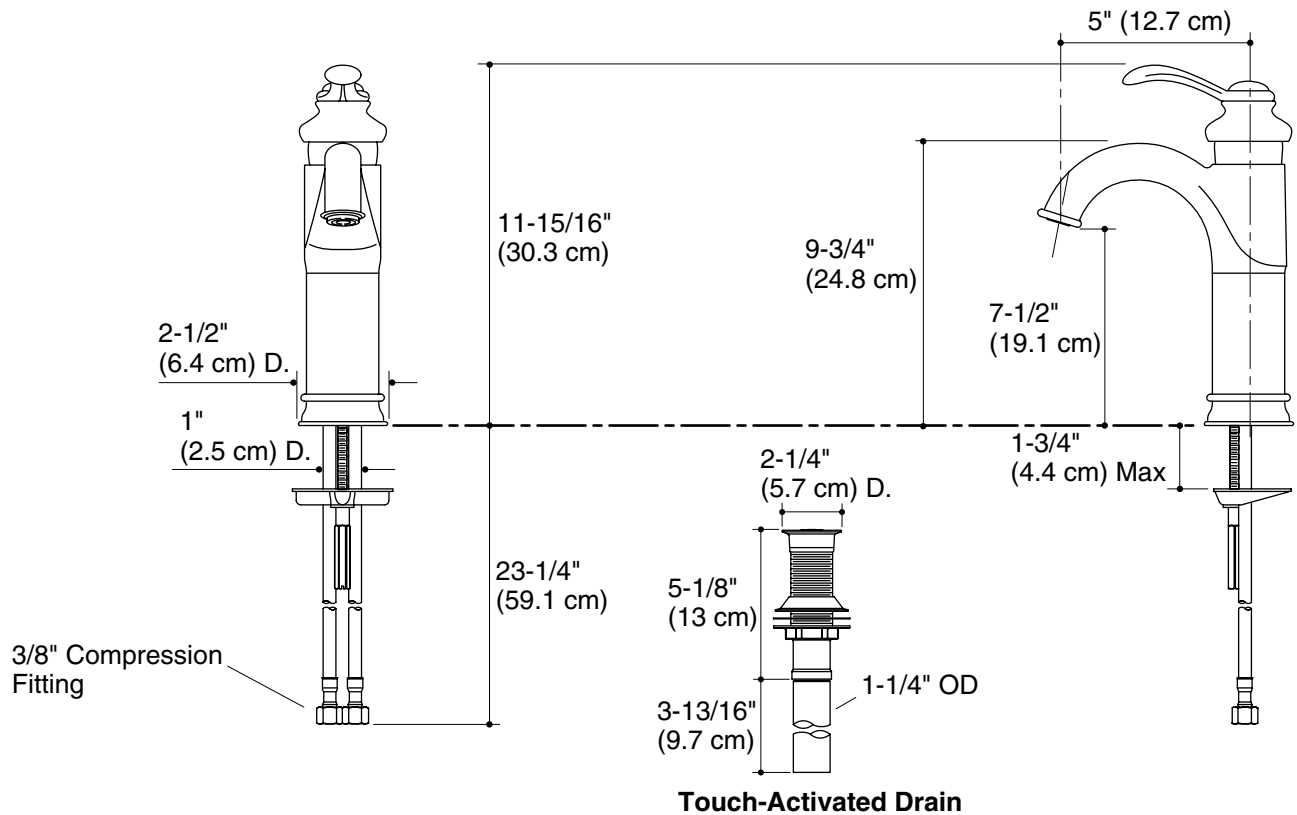
Optional Accessories			
K-12001	Single-control plug button		<input type="checkbox"/> Other _____
_____	Additional flow options are available (refer to the Kohler Price Book)	<input type="checkbox"/> NA	

Technical Information

Included components:	
Drain	1032297

Installation Notes

Install this faucet following the installation instructions provided.



Product Diagram