

KOHLER®

Bancroft® 5.5' Whirlpool Bath K-1158-HJ



Features

- End drain.
- 65-7/8" (1673 mm) x 41-3/4" (1060 mm) x 22" (559 mm)

Material

- Acrylic

Hydrotherapy

- Variable-speed pump for adjusting hydromassage intensity.
- Multiple pump location options give you more choices for installation and access.
- Built-in 1500 W heater.
- Eight fully adjustable Flexjet™ hydrotherapy jets for water flow and direction.
- Remote control.

Installation

- Drop-in
- Coordinates with other products in the Bancroft® collection.

Recommended Accessories

- K-7161-AF Bath Drain
- K-24916 Wireless Music Kit
- K-1703 Whirlpool Remote Control
- K-7265 Clearflo Bath Drain
- K-9497 2-1/2" Keypad Trim
- K-9698 Flexjet® Whirlpool Trim Kit
- K-37382 45" Rough-in Cable Bath Drain



Codes/Standards

- ASME A112.19.7/CSA B45.10
- CSA B45.5/IAPMO Z124
- ASTM E162
- ASTM E662
- UL 1795
- Greenguard UL 2818 - Gold

KOHLER® One-Year Limited Warranty

See website for detailed warranty information.

USA/Canada: 1-800-4KOHLER (1-800-456-4537)

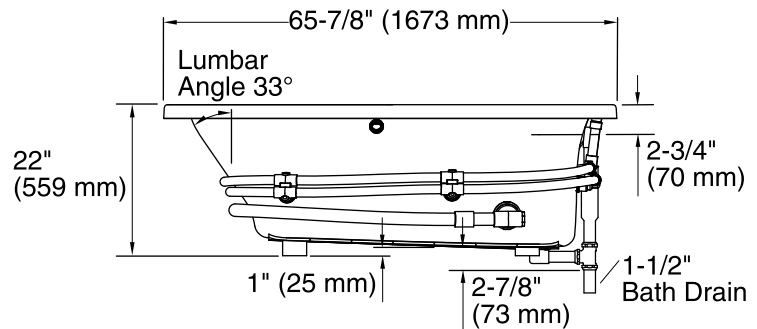
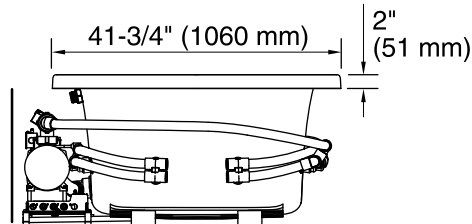
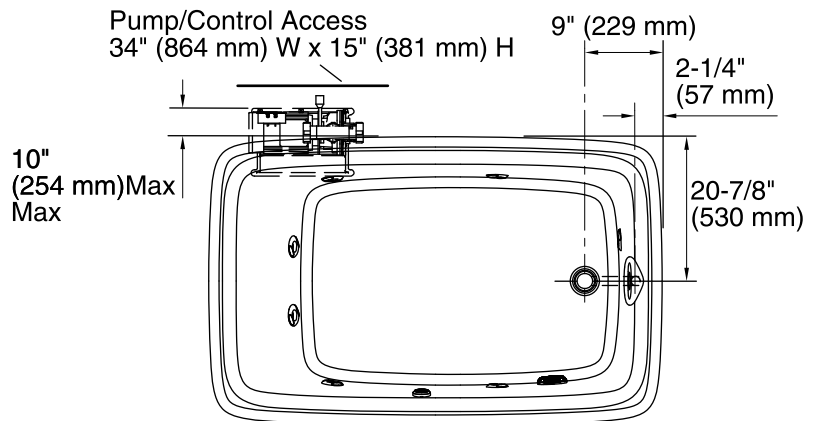
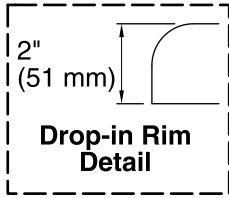
Kohler Co. reserves the right to make revisions without notice to product specifications.

For the most current Specification Sheet, go to www.kohler.com.

3-7-2017 04:55

THE BOLD LOOK
OF **KOHLER**®

No change in measurements if connected with drain illustrated. (K-7161-AF)



Required Electrical Service

One dedicated circuit required, protected with Class A Ground-Fault Circuit-Interrupter (GFCI) or Residual Current Device (RCD).

Pump, Heater: 240 V, 20 A, 50/60 Hz

Technical Information

All product dimensions are nominal.

Installation:	Drop-in
Drain location:	End
Basin area, bottom:	46" x 30" (1168 mm x 762 mm)
Basin area, top:	57" x 34" (1448 mm x 864 mm)
Weight:	130 lbs (59 kg)
Minimum floor load:	50 lbs/ft ² (244.1 kg/m ²)
Water depth:	16" (406 mm)
Water capacity:	95 gal (359.6 L)
Electrical component rating:	Pump: 240 V, 11 A, 50/60 Hz Heater: 240 V, 6.25 A, 50/60 Hz, 1500 W
Pump speed:	Variable

Notes

Measure your actual product for rough-in details.

Install this product according to the installation instructions.

The hot water supply should be 70% of the capacity of the bath or greater. Installations will vary.

This bath is designed for drop-in installation only. It is not suited for use in a three wall alcove with an overhead shower.

Pump must be relocated to custom position at the time of installation. Provide adequate clearance.