

KOHLER® Roughing-In

K-1112-CB WINDWARD® BATH WHIRLPOOL WITH CUSTOM PUMP

Product Information

Applicable product:	
Bath whirlpool with custom pump	K-1112-CB
Fixture*:	
Bathing well:	
Basin area, bottom	43" (109.2 cm) x 20-1/2" (52.1 cm)
Basin area, top	53-1/2" (135.9 cm) x 32-1/8" (81.6 cm)
Weight	110 lbs (50 kg)
To overflow:	
Water depth	15" (38.1 cm)
Capacity	57 gal (215.9 L)
* Approximate measurements for comparison only.	
Drop-in cut-out dimensions:	
58-1/2" (148.6 cm) x 40-1/2" (102.9 cm)	
Pump:	V Hz A
1-speed	120 60 7.5
Minimum access panel pump/control:	
20" (50.8 cm) W x 15" (38.1 cm) H	required

Required Electrical Service

Dedicated circuit required, protected with a Class A Ground-Fault Circuit-Interrupter (GFCI):	
Pump/control	120 V, 15 A, 60 Hz
Locate the outlet behind the whirlpool and within 24" (61 cm) of the pump.	

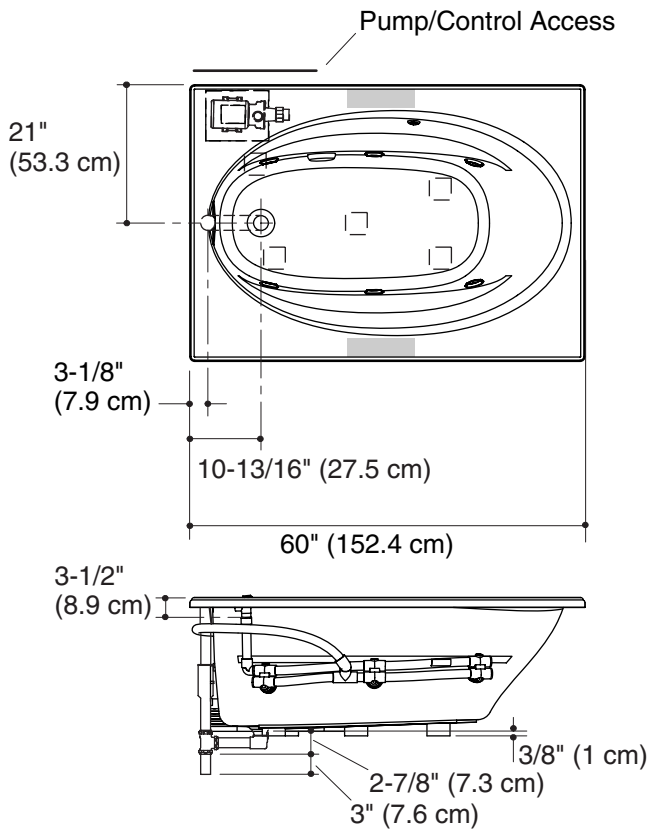
Installation Notes

Install this product according to the installation guide.

Floor support under the whirlpool must provide for a minimum of 35 lbs/square foot (171 kg/square meter) loading.

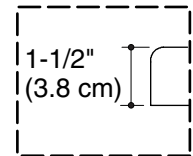
If installing a rim-mount faucet, make sure there is no interference with the drain overflow and circulating system before drilling any holes. Consult local and national codes for minimum air gap requirements if installing a spout on the faucet deck.

Fixture conforms to ANSI Standard Z124.1.2. All dimensions are nominal.



No change in measurements if connected with drain illustrated. (K-11677 or K-11677M)

Recommended faucet area



Drop-In Rim Detail

