

Features

- Slotted overflow for maximum bathing depth.
- Integral lumbar support and armrests for comfort.
- Textured bottom surface.
- Two-piece design.
- End drain.
- 67-3/4" (1568 mm) x 31-3/4" (806mm) x 22" (559 mm)

Material

- Acrylic

Hydrotherapy

- 118-122 BubbleMassage™ airjets.
- Variable-speed blower lets you adjust the airjet massage to 18 levels.
- Automatic purge cycles remove residual water from air channels after use.
- Lighted keypad control.

Installation

- Freestanding



Codes/Standards






ASME A112.19.7/CSA B45.10
CSA B45.5/IAPMO Z124
UL 1795
CSA C22.2 No. 218.2
CARB P2

KOHLER® One-Year Limited Warranty

See website for detailed warranty information.

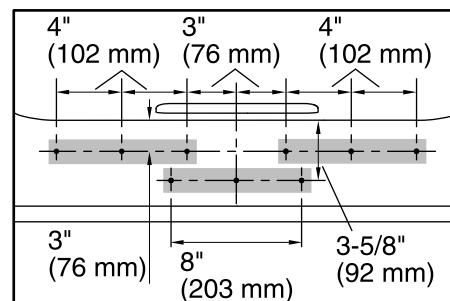
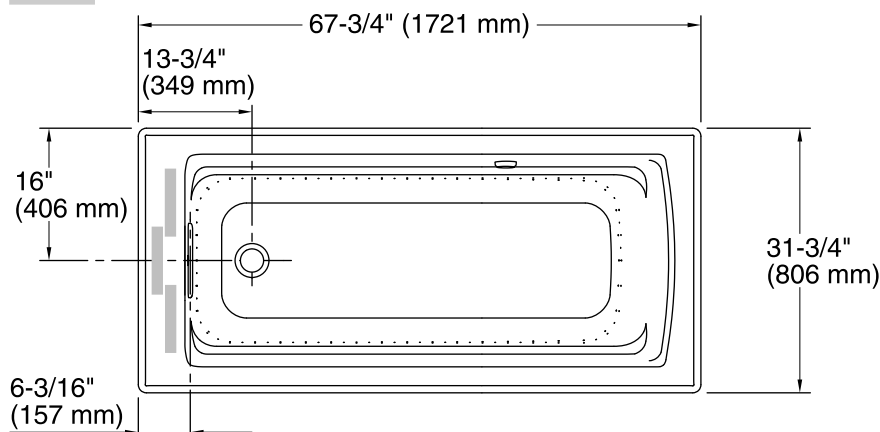
Available Color/Finishes

Color tiles intended for reference only.

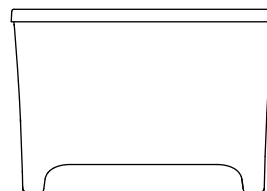
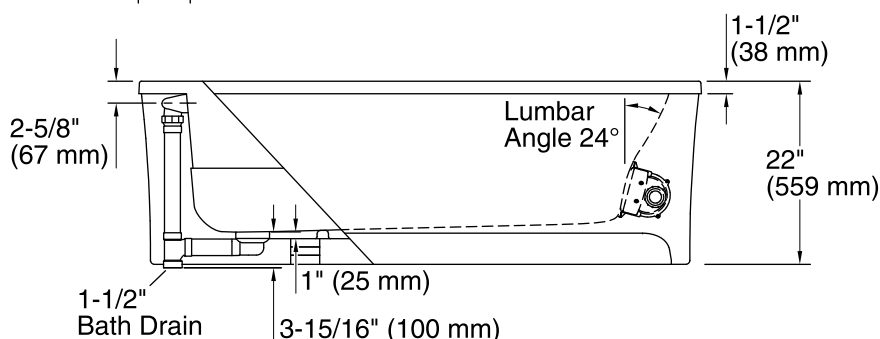
Color	Code	Description
	0	White
	96	Biscuit
	47	Almond
	NY	Dune
	G9	Sandbar

No change in measurements if connected with drain illustrated. (K-7272)

█ Faucet area.



**Faucet Hole Locations
(For KOHLER® Brand Only)**



Required Electrical Service

One dedicated circuit required, protected with Class A Ground-Fault Circuit-Interrupter (GFCI) or Residual Current Device (RCD).

Blower: 120 V, 15 A, 60 Hz

Technical Information

All product dimensions are nominal.

Installation: Freestanding

Drain location: End

Basin area, bottom: 51-1/16" x 19-11/16" (1297 mm x 500 mm)

Basin area, top: 58-9/16" x 25-5/16" (1487 mm x 643 mm)

Weight: 100 lbs (45.4 kg)

Minimum floor load: 44.2 lbs/ft² (215.8 kg/m²)

Water depth: 15-1/16" (383 mm)

Water capacity: 65 gal (246.1 L)

Template: Footprint, 1265461, not required, not included

Electrical component rating: Blower: 120 V, 10 A, 60 Hz, 300 W

Blower speed: Variable

Notes

Measure your actual product for rough-in details.

Install this product according to the installation instructions.

The hot water supply should be 70% of the capacity of the bath or greater. Installations will vary.

Measure your actual product for roughing-in details.

Install this product in accordance with the installation instructions.

Locate a GFCI-protected 120 V, 15 A, grounded electrical outlet behind the bath and within 24" (610 mm) of the blower motor.

Remote blower installation kit K-1446 is available for relocating the blower.

This bath is designed for freestanding installation only.

NOTICE: Do not support the load weight of the bath by the rim.