

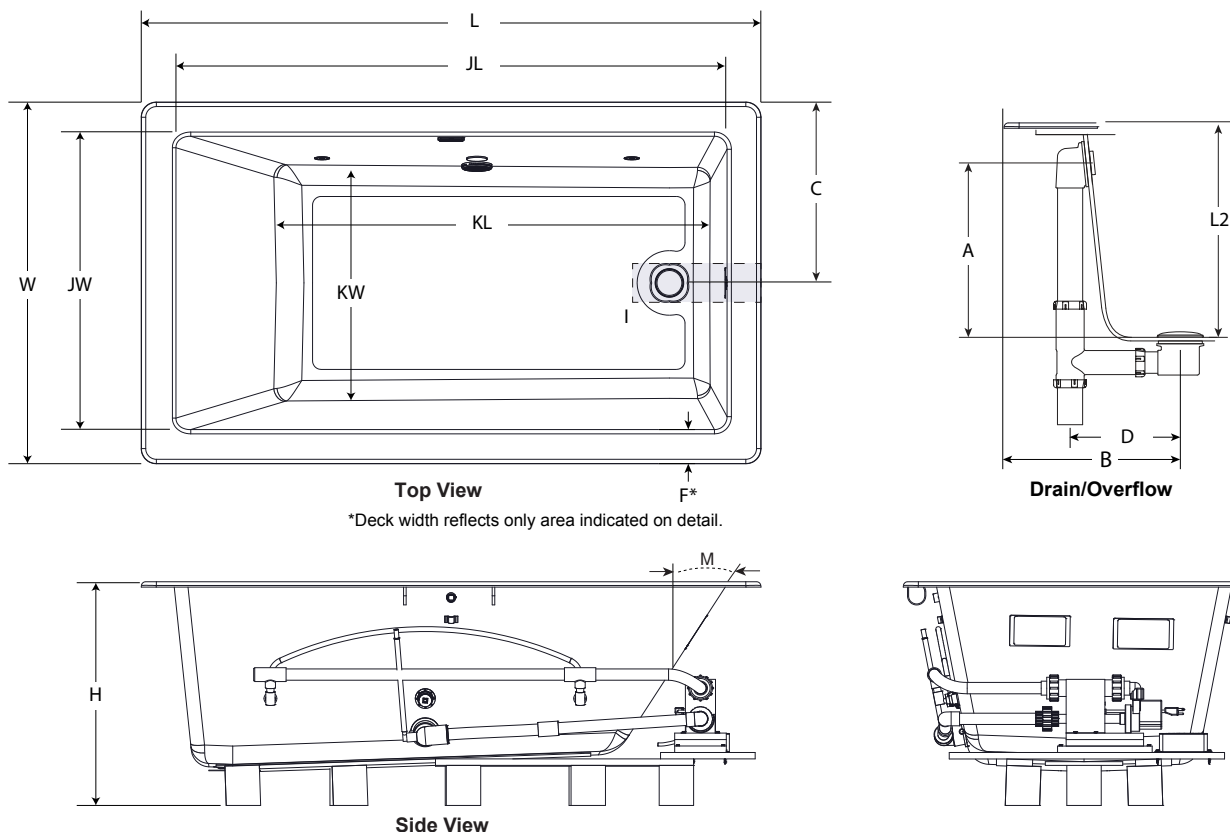
Elara® Technical Specifications for Heated Soak

Letter	Description	6042	6636	7236	7242
-	Drain Location	LH/RH Drain			
-	Pump Location	LH/RH Pump			
-	Cutout Template	N/A			
-	Drop-in Cutout Dimensions (L x W)	58" x 40" (1473 mm x 1016 mm)	64" x 34" (1626 mm x 864 mm)	70" x 44" (1778 mm x 1117 mm)	
-	Total Weight	1188 lbs (539 kg)	1103 lbs (500 kg)	1180 lbs (535 kg)	1411 lbs (640 kg)
-	Floor Loading	66 lb/ft ² (325 kg/m ²)		65 lb/ft ² (316 kg/m ²)	66 lb/ft ² (325 kg/m ²)
-	Product Weight	100 lbs (39 kg)	94 lbs (43 kg)	116 lbs (52 kg)	101 lbs (46 kg)
-	Operating Gallons (Max)	100 gal (387.5 Liters)	91 gal (344.4 Liters)	97 gal (367.1 Liters)	127 gal (480.7 Liters)
-	Soaking Depth	18.6" (472 mm)		17.7" (450 mm)	18.6" (472 mm)
L	Outer Length	60" (1524 mm)	66" (1676 mm)	72" (1829 mm)	
W	Outer Width	42" (1067 mm)	36" (914 mm)	36" (914 mm)	42" (1067 mm)
H	Overall Height	26" (660 mm)			
A	Overflow Height	18.9" (480 mm)		18" (457 mm)	18.9" (480 mm)
B	Long Edge to Drain Center	10.63" (270 mm)		10.25" (260 mm)	10.63" (270 mm)
C	Short Edge to Drain Center	21" (533 mm)	18" (457 mm)		21" (533 mm)
D	Drain Shoe Length	8.5" (216 mm)		8.2" (208 mm)	8.5" (216 mm)
E	Deck Height	0.63" (16 mm)			
F	Deck Width*	4" (102 mm)			
G	Service Access Dimensions	12" x 18" (305 mm x 457 mm)			
I	Floor Cutout for Drain	12" x 6" (305 mm x 152 mm)			
J	Interior Dimensions (top of bath) JW x JL	38" x 27" (965 mm x 686 mm)	44.25" x 20.75" (1124 mm x 527 mm)	50.5" x 22" (1283 mm x 559 mm)	
K	Interior Dimensions (bottom of bath) KW x KL	52" x 34" (1321 mm x 863 mm)	58" x 28" (1473 mm x 711 mm)	64" x 34" (1625 mm x 863 mm)	
L2	Interior Depth- Drain End	21.4" (544 mm)			
M	Backrest Angle	34°			

Each component requires a separate, dedicated GFCI protected circuit		
Model with components		GFCI Outlet (60Hz)
Heated Soak	Motor/Heater	120V/15A
	Motor/Heater w/ Chromatherapy	120V/15A

KEY DIMENSIONS* [NOTE: The overall dimensions are nominal with a tolerance of +0 and -.25" (6mm).]

*Right hand model shown. Left hand model is exact opposite.



Refer to installation instructions included with fixture before beginning installation. Please confirm product availability and specifications before commencing with any installation work.

PRODUCT SPECIFICATIONS AND AVAILABILITY ARE SUBJECT TO CHANGE WITHOUT NOTICE