



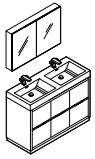
**FVN8448-D**

# VALENCIA

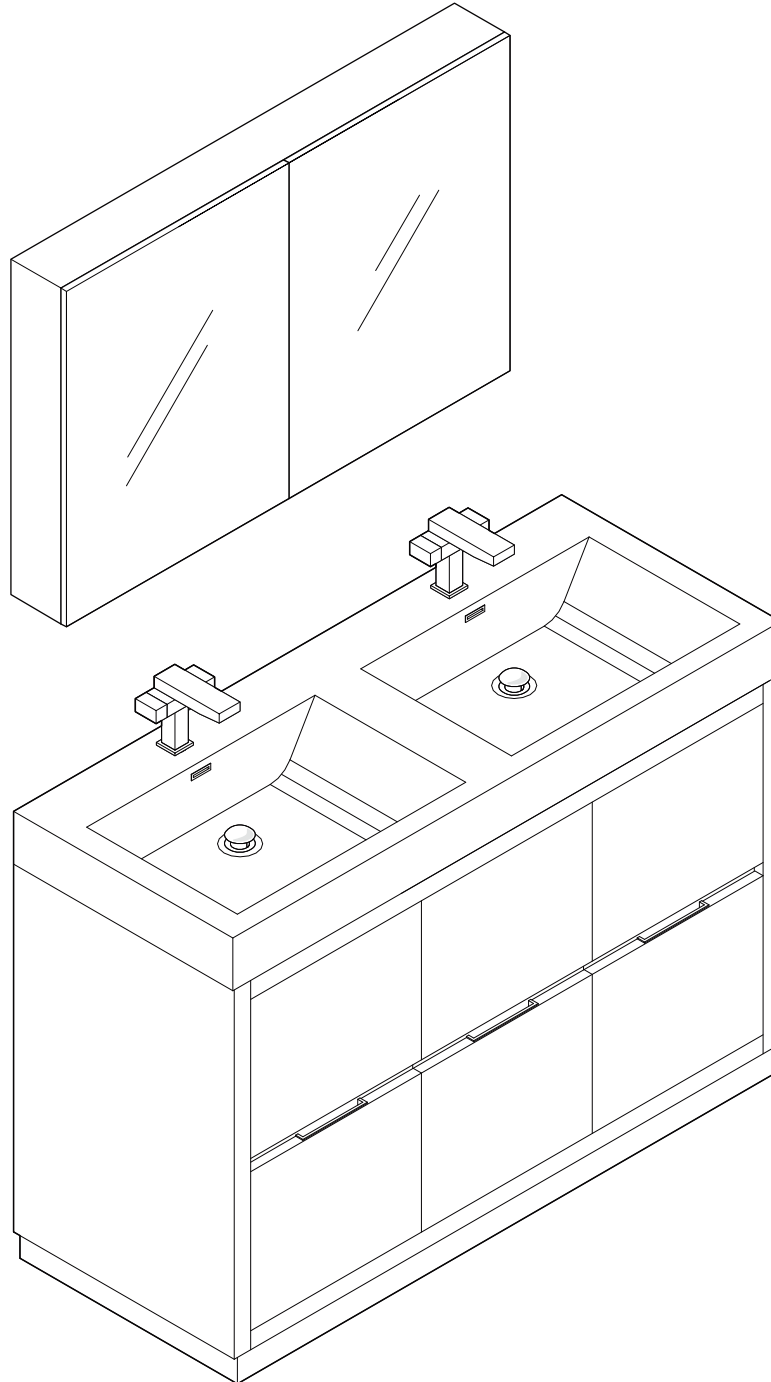
## INSTALLATION GUIDE

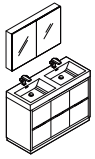
### CONTENTS:

Cabinet.....	(FCB8448-D).....	PAGE 5
Sink.....	(FVS8012WH).....	PAGE 5
Medicine Cabinet.....	(FMC8010).....	PAGE 4



# FVN8448-D VALENCIA INSTALLATION GUIDE

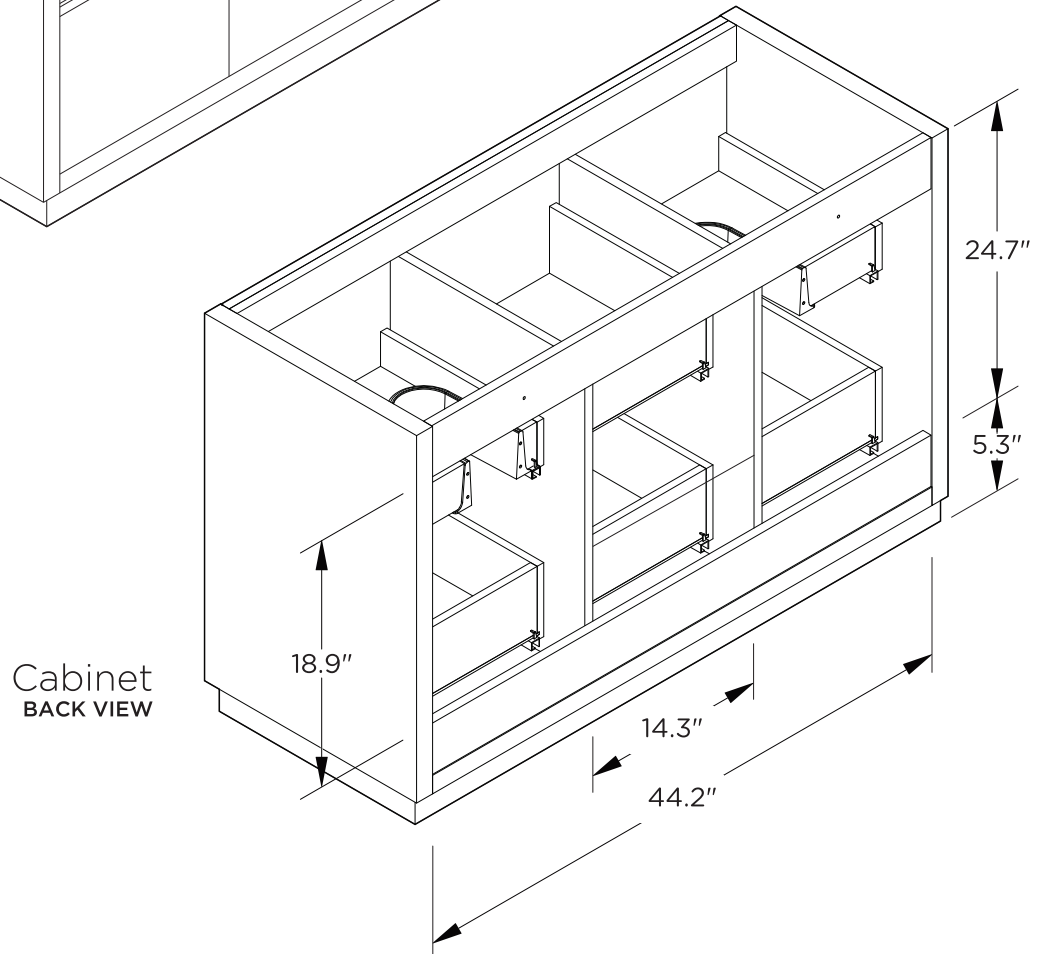
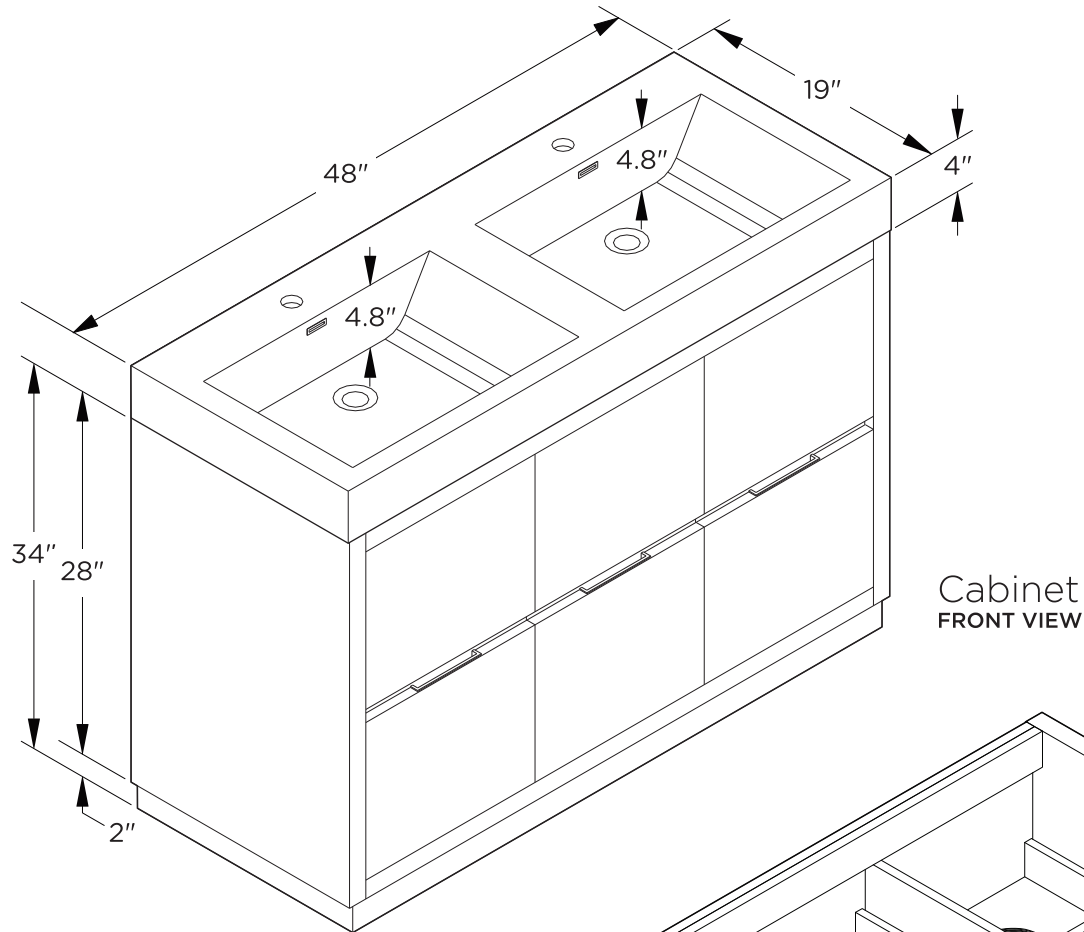




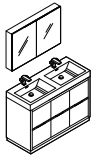
# FVN8448-D VALENCIA INSTALLATION GUIDE



## DIMENSIONS OF THE CABINET



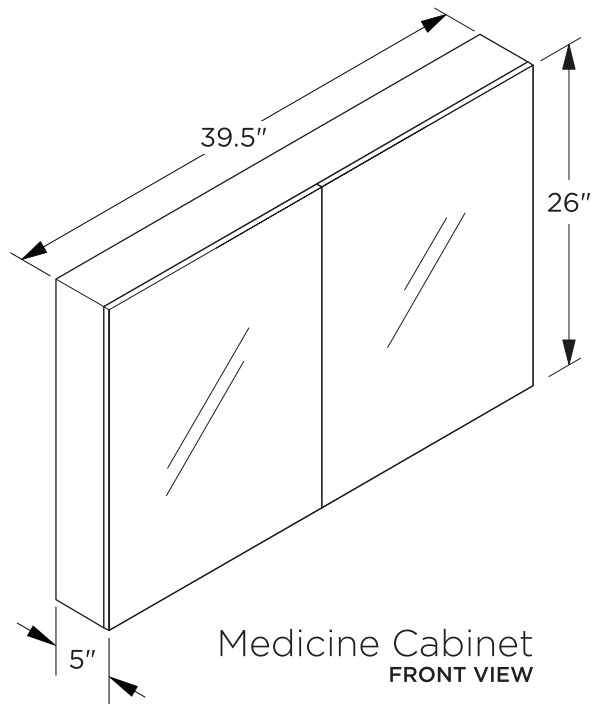
**NOTE:** ALL DIMENSIONS & SPECIFICATIONS ARE APPROXIMATE AND SUBJECT TO CHANGE WITHOUT NOTICE.



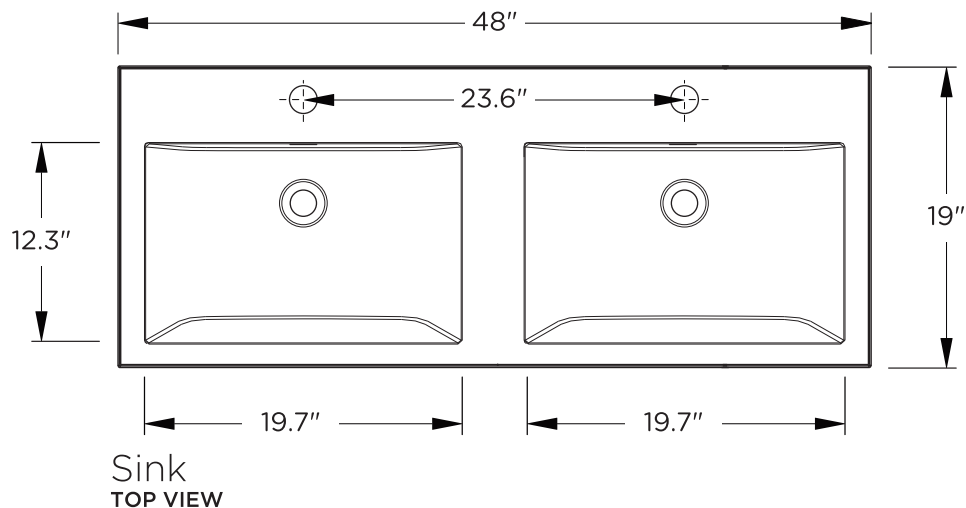
# FVN8448-D VALENCIA INSTALLATION GUIDE



## DIMENSIONS OF THE MEDICINE CABINET



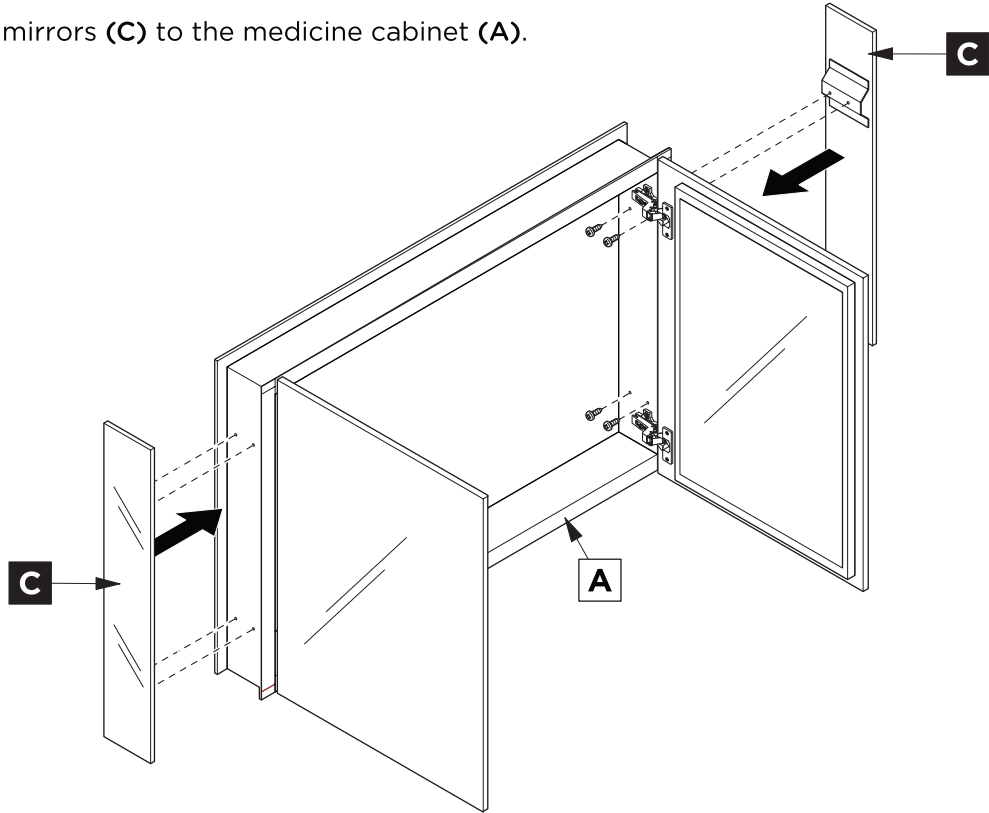
## DIMENSIONS OF THE SINK



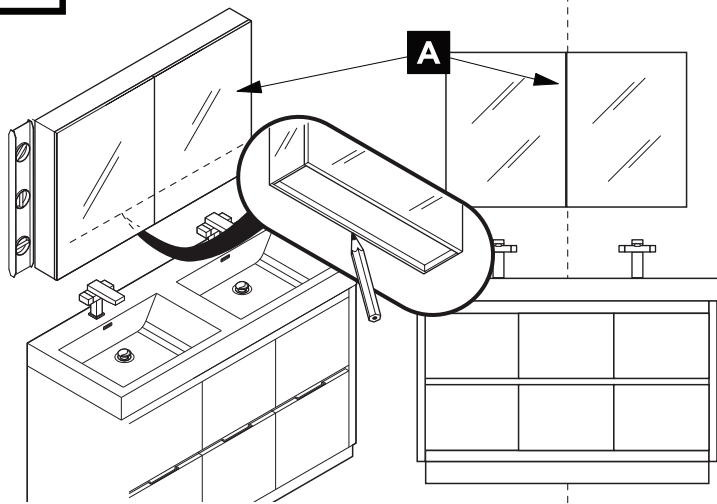
**NOTE:** ALL DIMENSIONS & SPECIFICATIONS ARE APPROXIMATE AND SUBJECT TO CHANGE WITHOUT NOTICE.

# MEDICINE CABINET INSTALLATION

**1** Attach side mirrors (C) to the medicine cabinet (A).

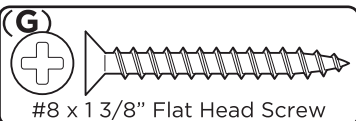
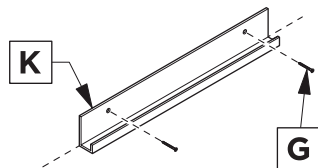


**2** Mark cabinet's (A) location. CENTERLINE

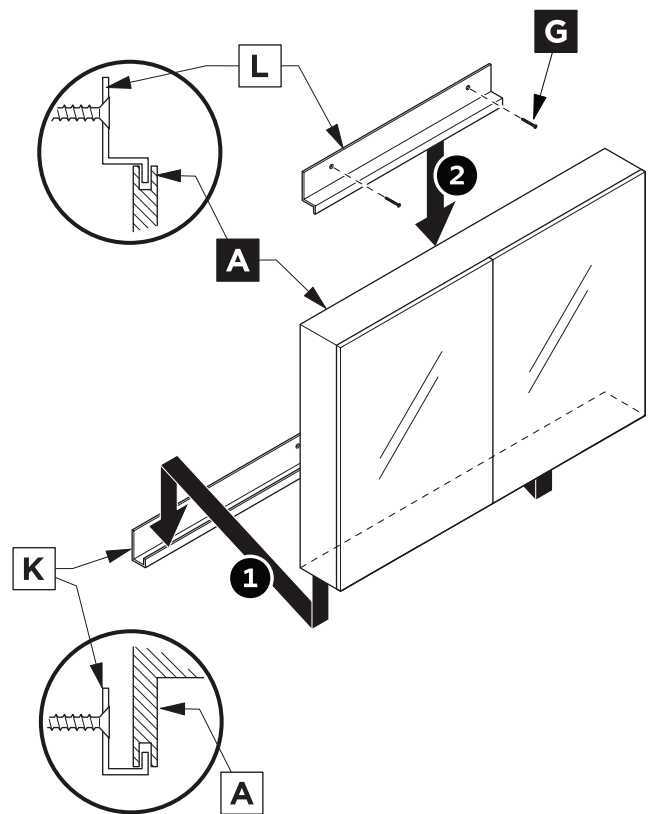


**3** Install a bottom bracket (K).

**IMPORTANT:** Consult an expert for the proper screws/bolts to use when attaching to various constructions. Screws provided do not attach to all wall construction types. Anchors are not required if brackets are installed in stud.



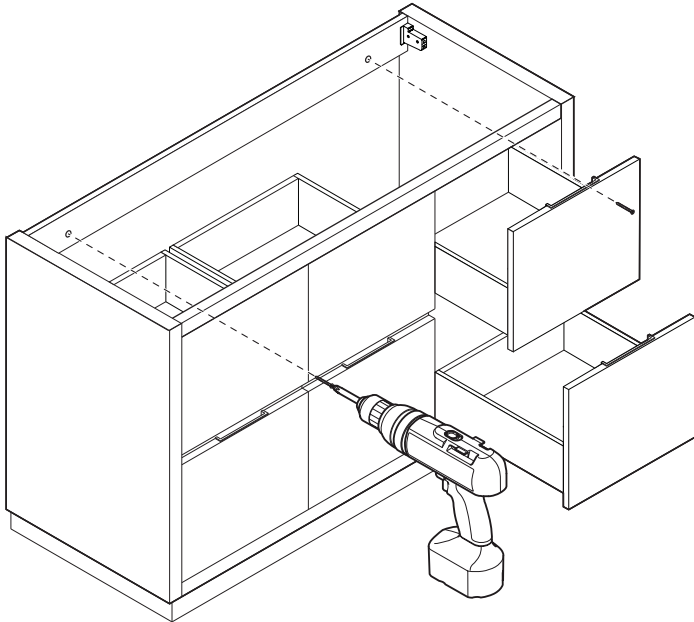
**4** \* Place cabinet (A) on the bottom bracket (K) and secure it with a top bracket (L).



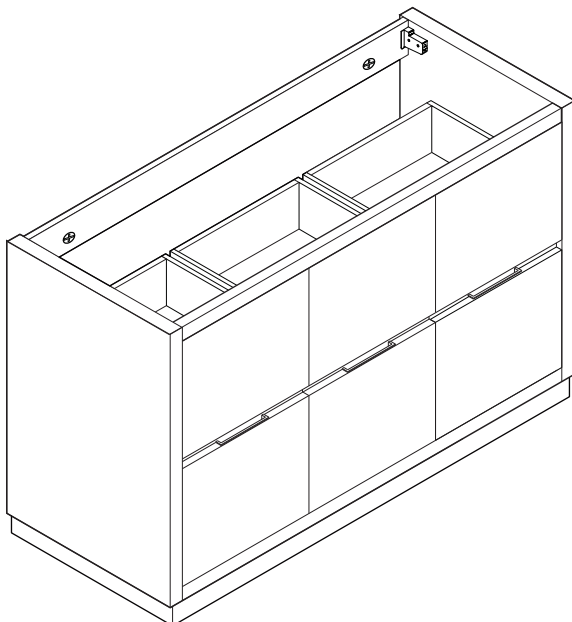
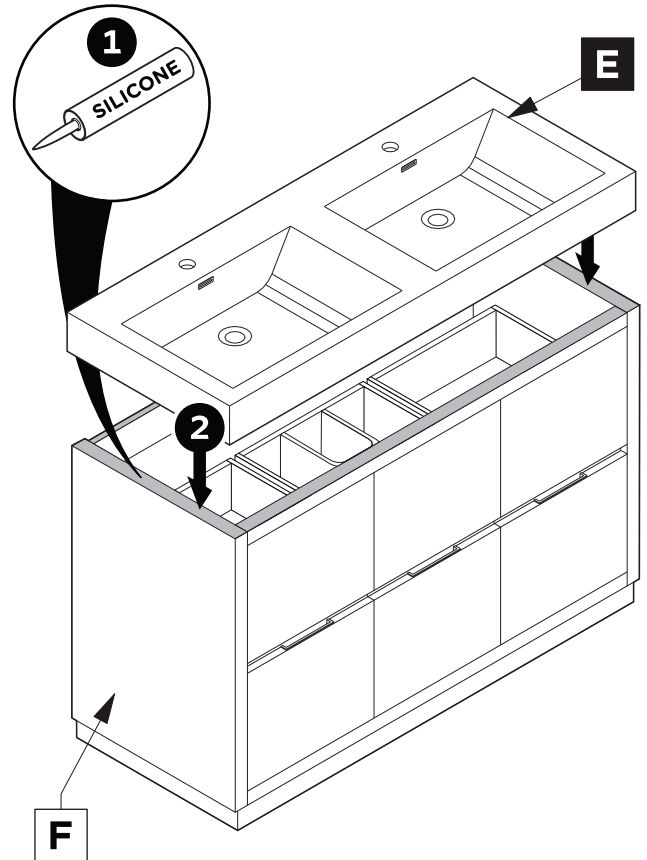
\*This step requires assistance to hold cabinet in place until top bracket is securely attached.

# CABINET INSTALLATION

**1** Attach cabinet (F) to the wall.

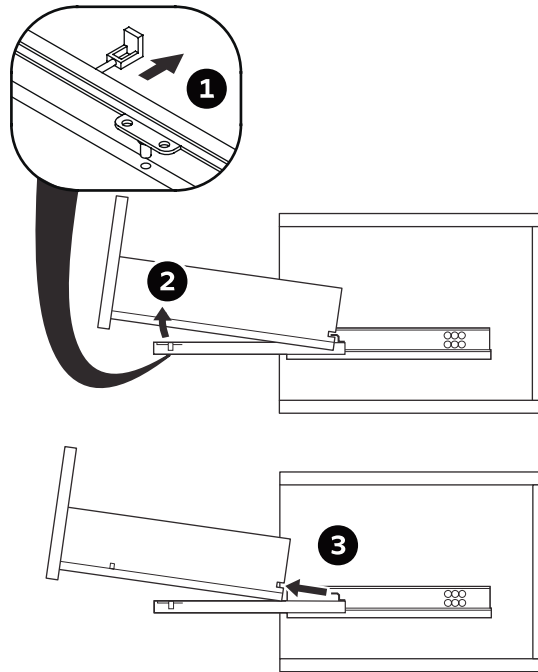


**2** Apply a bead of silicone on the top of the cabinet (F) and place sink (E) on it.

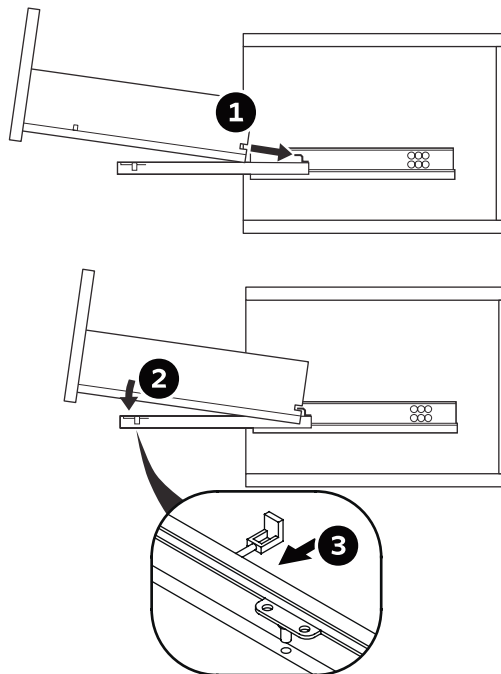


**IMPORTANT:** Consult an expert for the proper screws/bolts to use when attaching to various constructions. Screws provided do not attach to all wall construction types. Anchors are not required if brackets are installed in stud.

## DRAWER REMOVAL

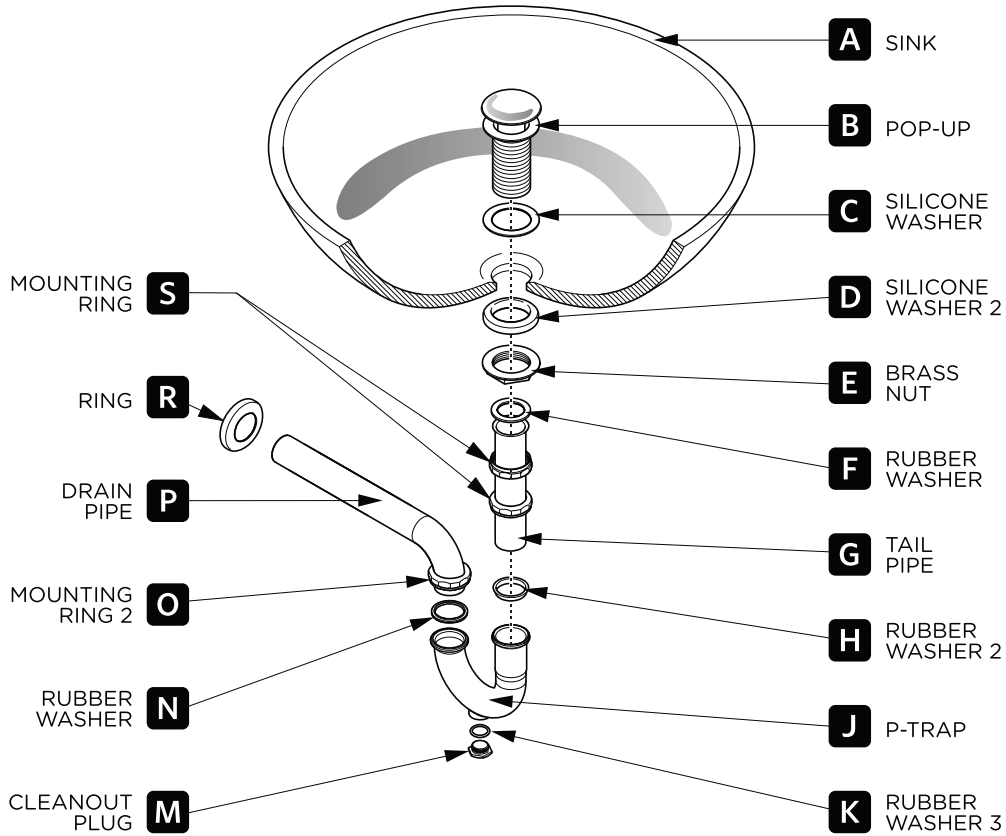


## DRAWER INSTALLATION



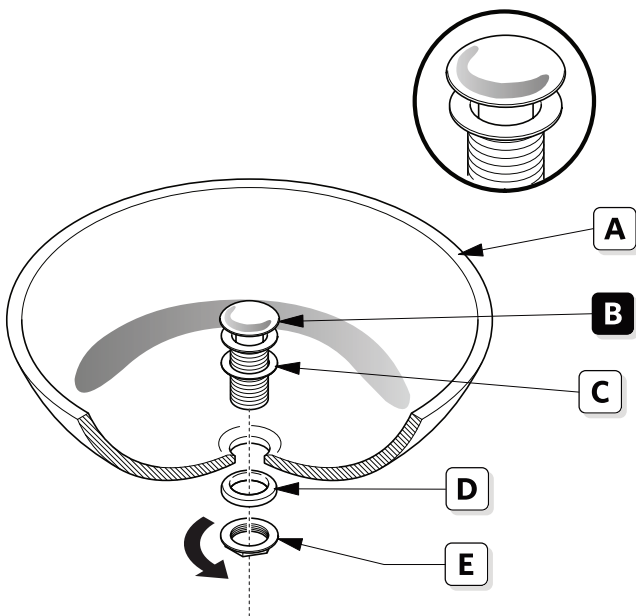
# P-TRAP & POP-UP INSTALLATION INSTRUCTIONS

Your item may appear slightly different from the illustration.



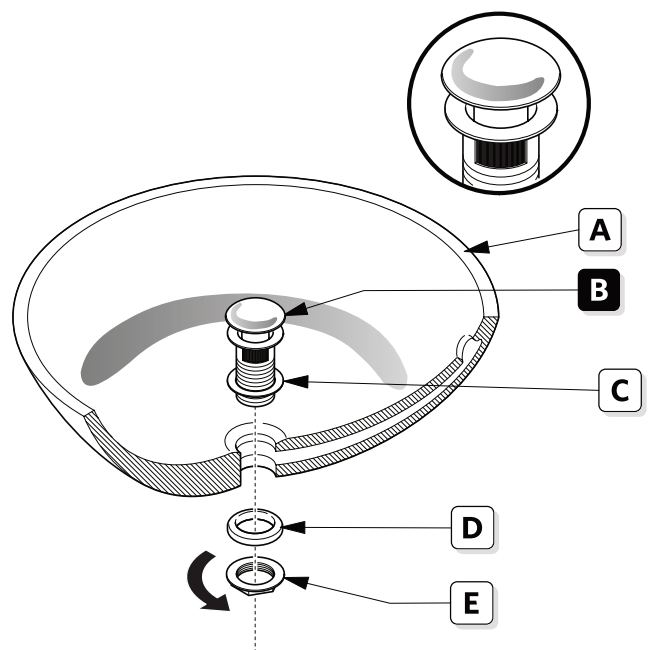
## POP-UP INSTALLATION INSTRUCTIONS

**FOR SINKS WITHOUT OVERFLOW**



OR

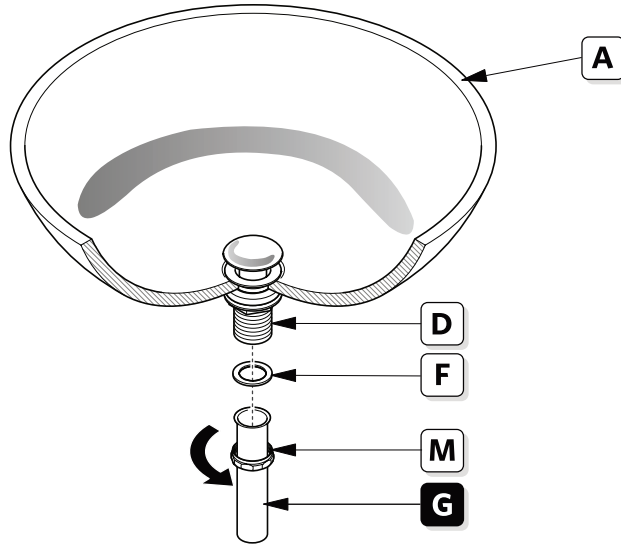
**FOR SINKS WITH OVERFLOW**





# P-TRAP INSTALLATION

**1** Install Tail Pipe (G).



**2** Install P-Trap (J).

