



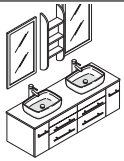
FVN6119

BELLEZZA

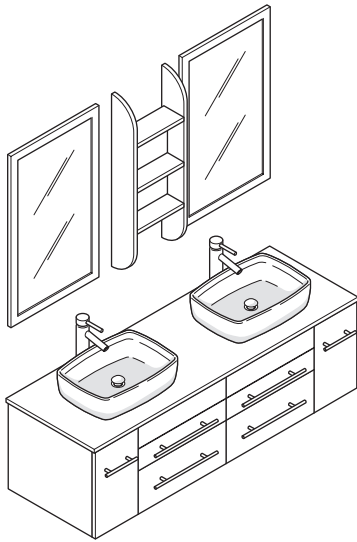
INSTALLATION GUIDE

CONTENTS:

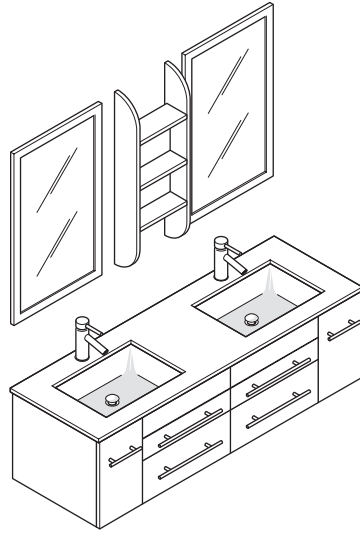
Cabinet.....	(FCB6119).....	PAGE 3
Sink.....	(FVS6119).....	PAGE 3
Mirror.....	(FMR6119).....	PAGE 5
Shelf.....	(FSF6119).....	PAGE 5
Countertop.....	(FCT6119).....	PAGE 4



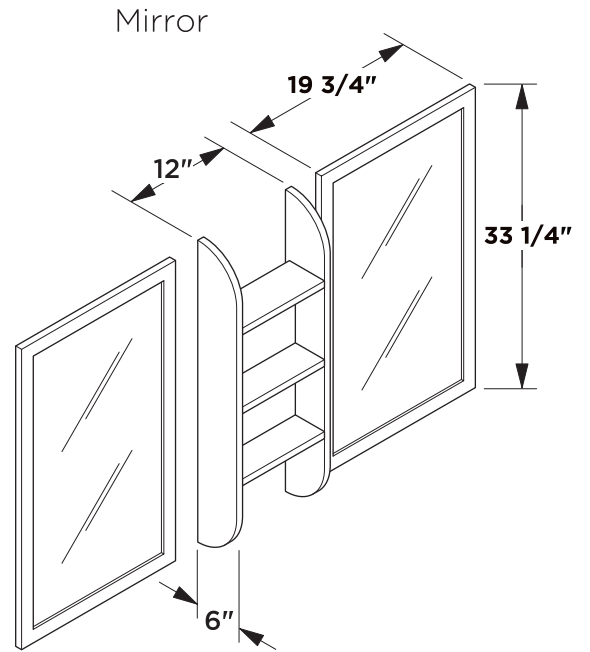
FVN6119 BELLEZZA INSTALLATION GUIDE



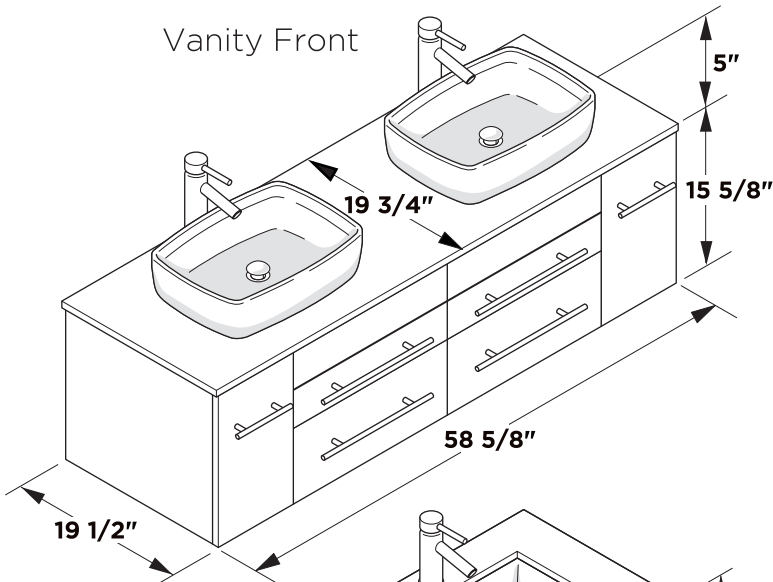
FVN6119



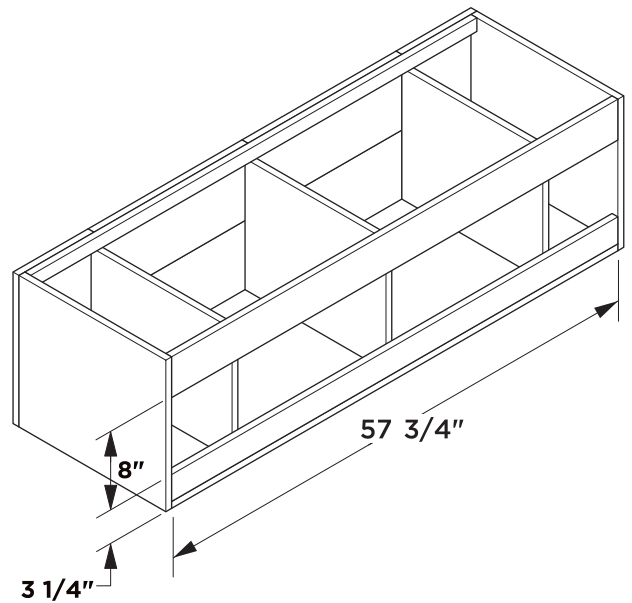
FVN6119UNS



Vanity Front

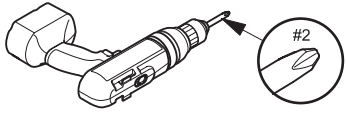


Vanity Back

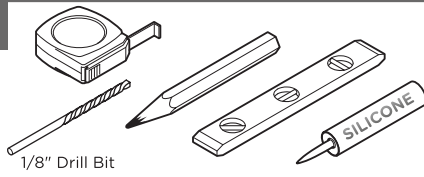


NOTE: ALL DIMENSIONS & SPECIFICATIONS ARE APPROXIMATE AND SUBJECT TO CHANGE WITHOUT NOTICE.

TOOLS FOR ASSEMBLY



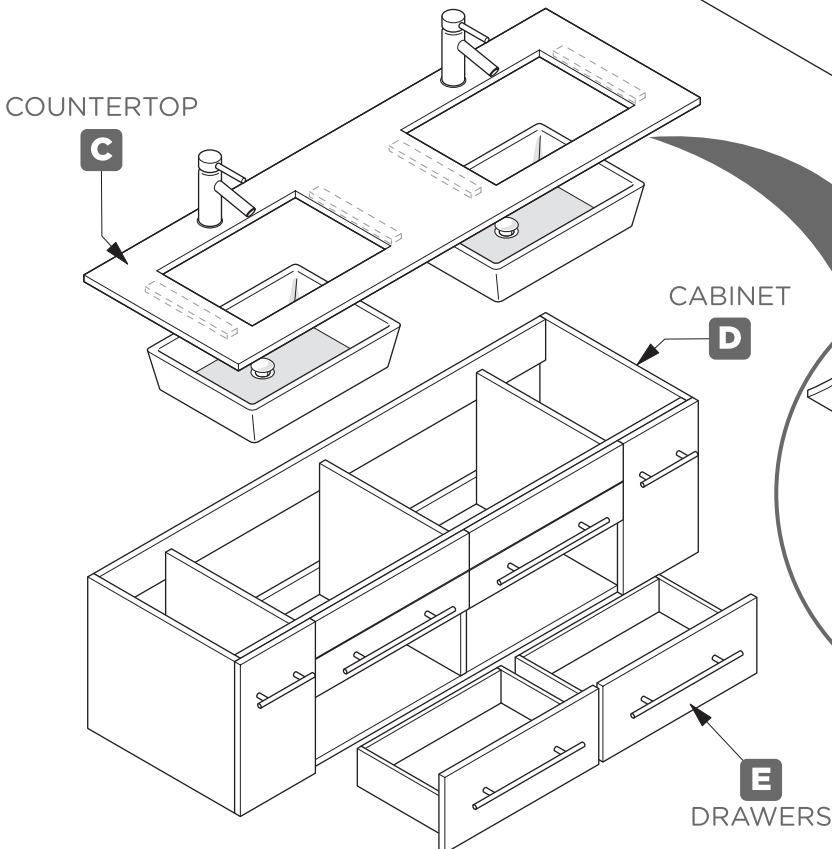
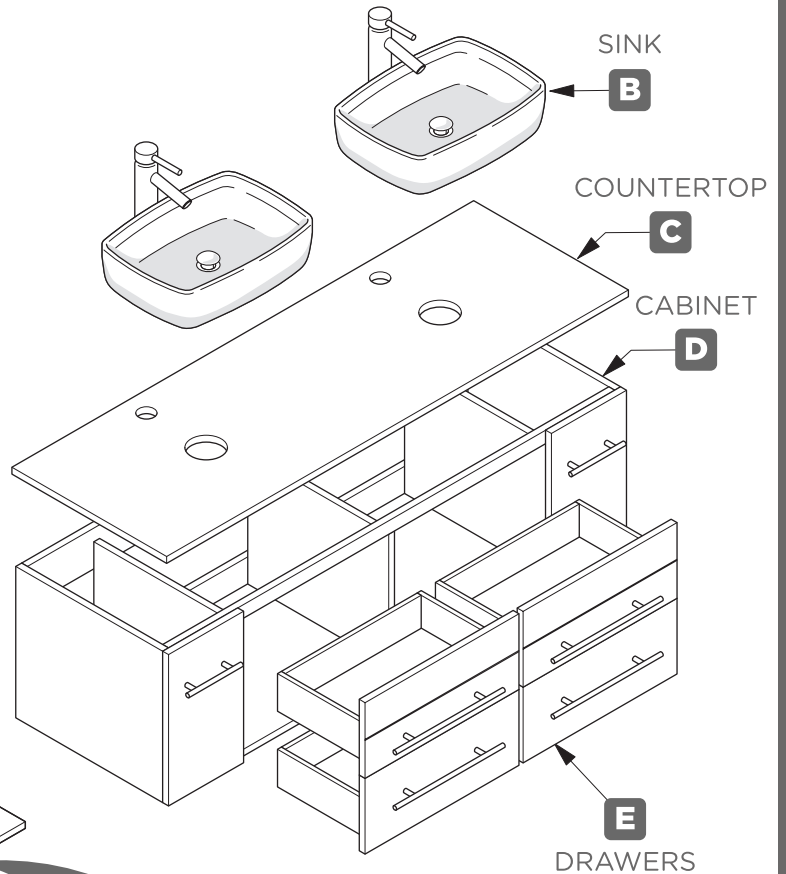
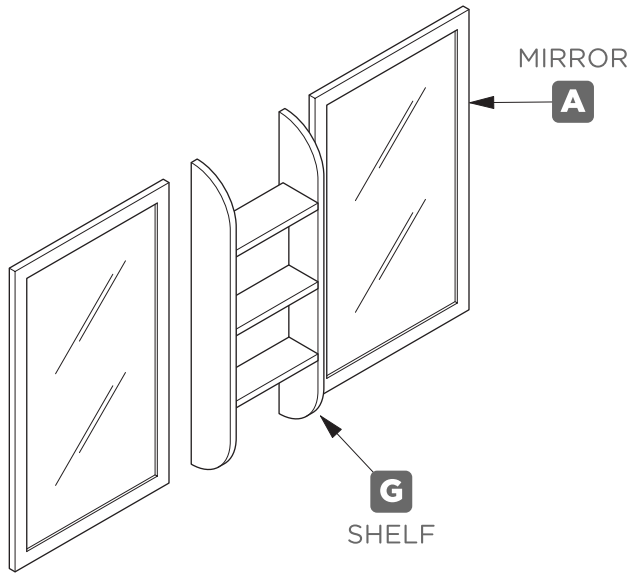
#2



1/8" Drill Bit

PARTS

- A.** MIRROR
- B.** SINK
- C.** COUNTERTOP
- D.** CABINET
- E.** DRAWERS
- F.** BRACKETS
- G.** SHELF



FVN6119

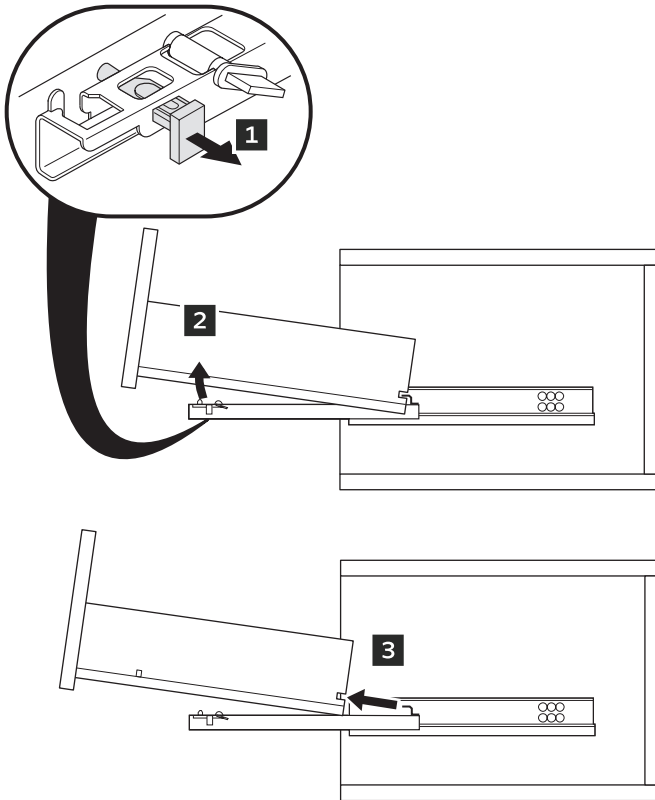
BELLEZZA

INSTALLATION GUIDE

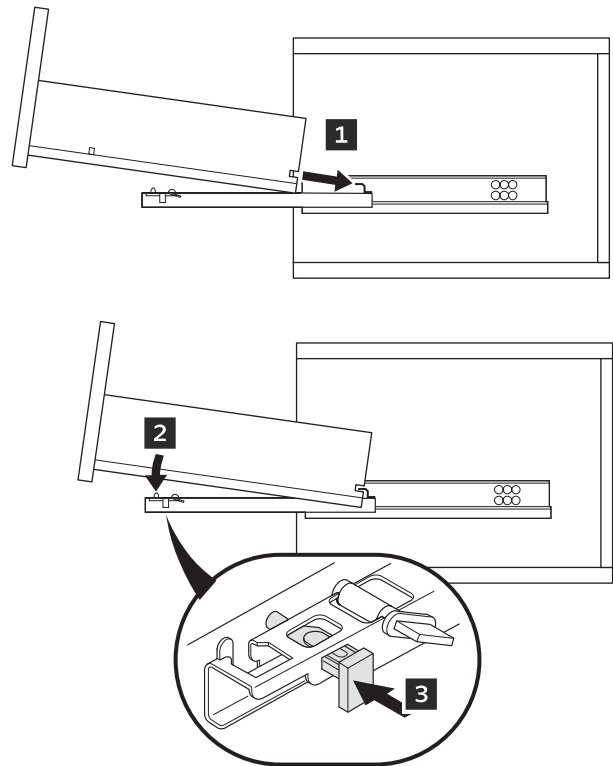
PAGE 2

DRAWER REMOVAL & INSTALLATION

REMOVAL

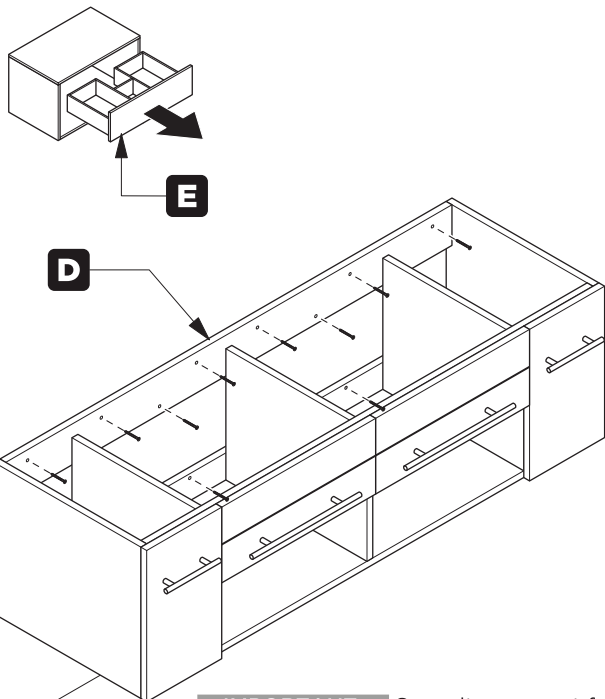


INSTALLATION



1 Remove drawer (E)

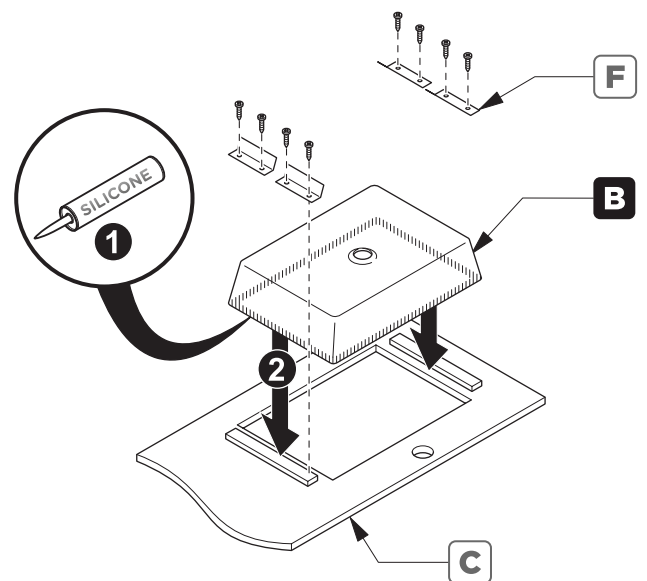
2 Attach cabinet (D) to the wall



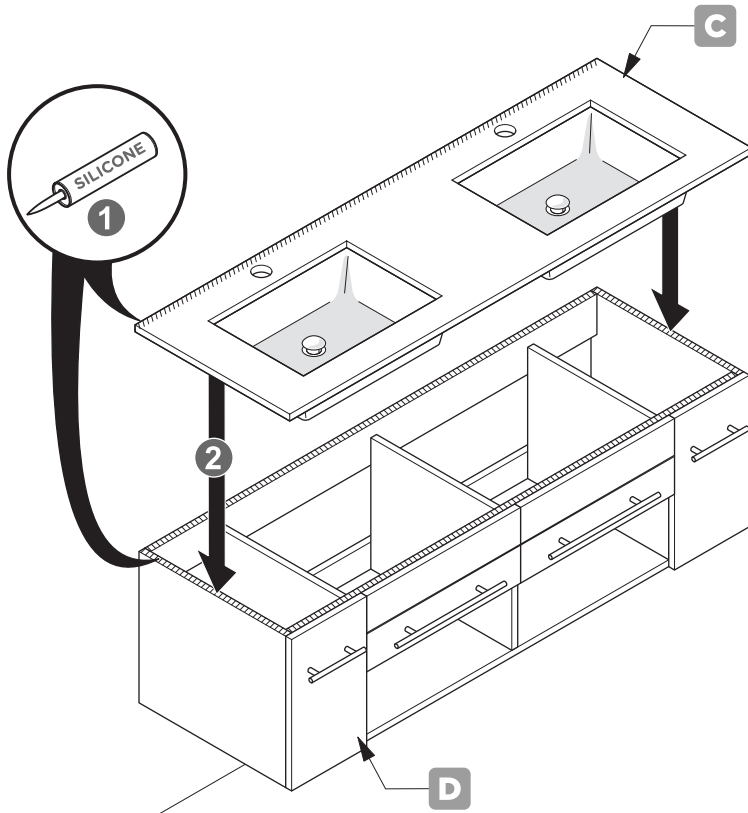
IMPORTANT: Consult an expert for the proper screws/bolts to use when attaching to various constructions. Screws provided do not attach to all wall construction types.

SINK INSTALLATION

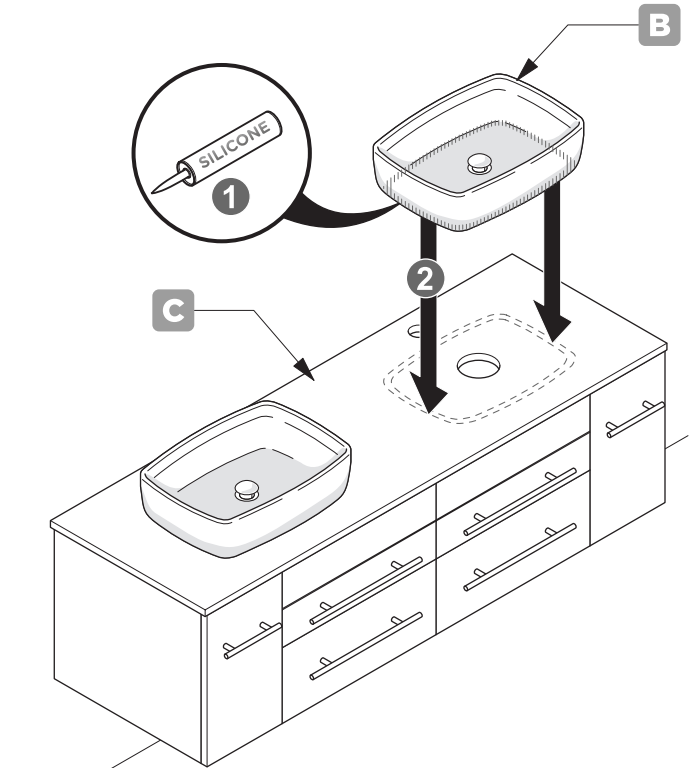
3 Apply silicone and install sinks (B)



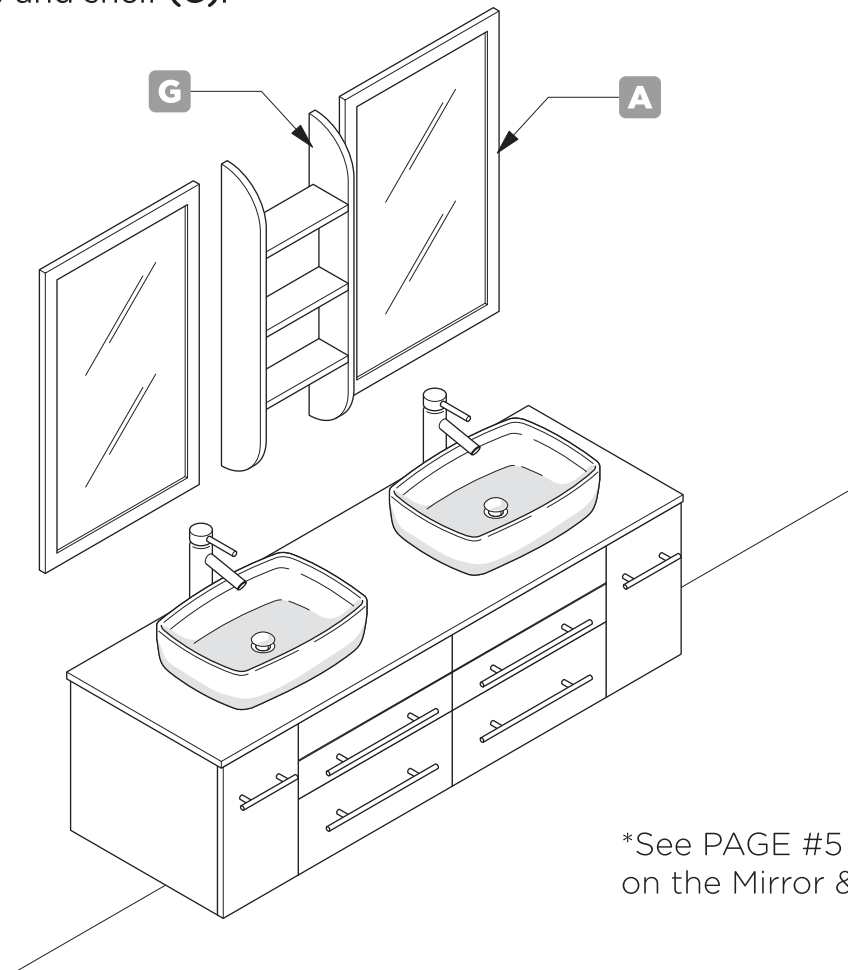
4 Apply silicone and place countertop (C) on the cabinet (D)



5 Apply silicone and place sink (B) on the countertop (C)



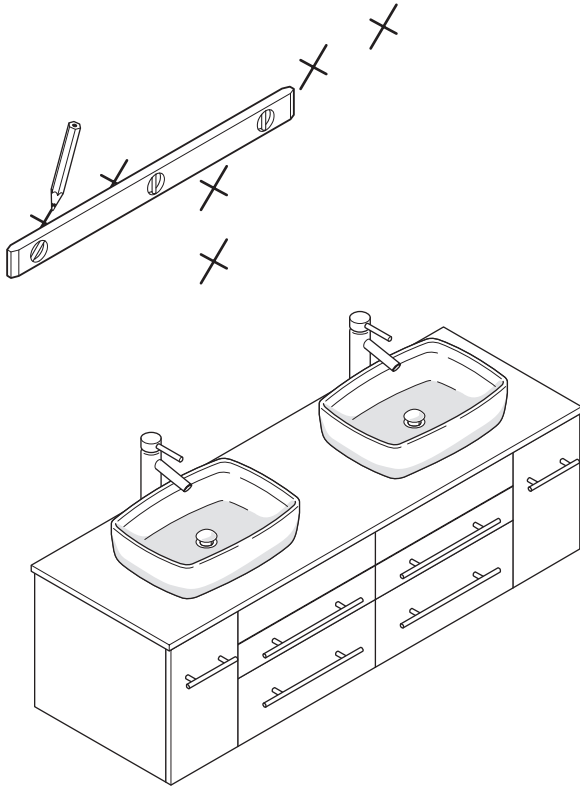
6 Install mirror (A) and shelf (G).



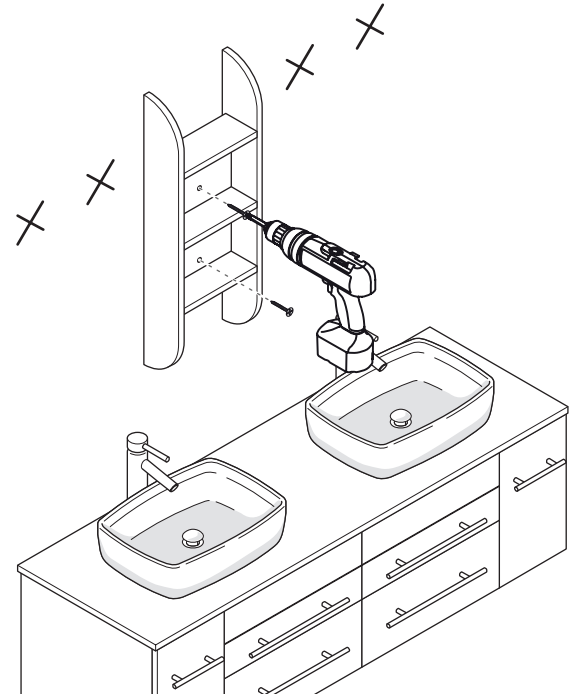
*See PAGE #5 for more details on the Mirror & Shelf installation.

MIRRORS & SHELF INSTALLATION

- 1** Mark the wall with a pencil using a level for the mounting position.

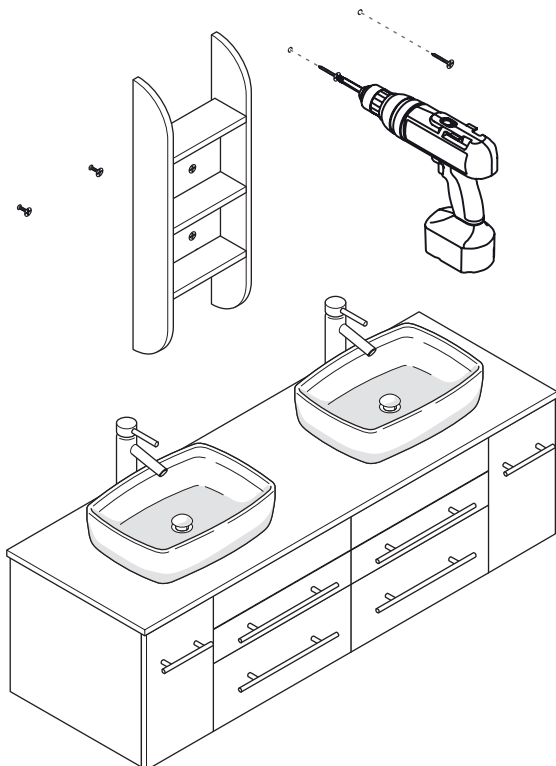


- 2** Attach shelf (G) to the wall with screws using a drill.

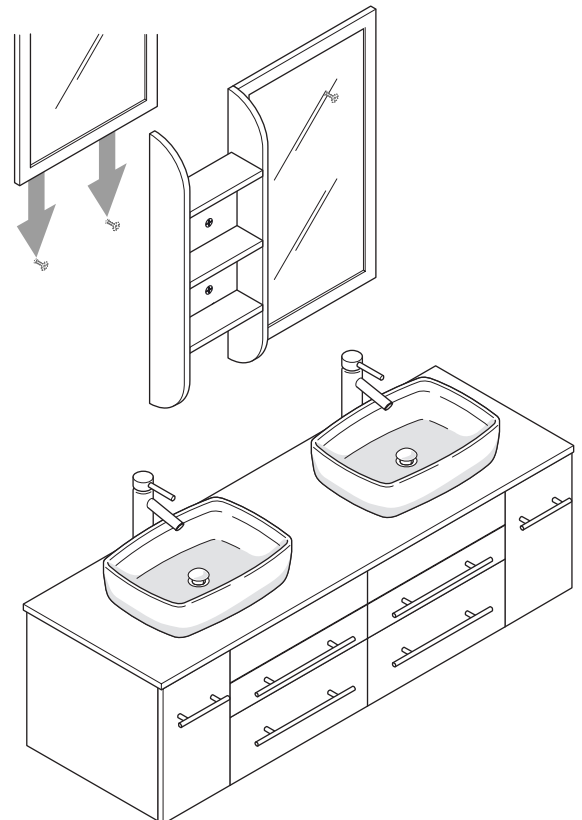


NOTE: CONSULT AN EXPERT FOR THE PROPER SCREWS/BOLTS TO USE WHEN ATTACHING TO VARIOUS CONSTRUCTIONS. SCREWS PROVIDED DO NOT ATTACH TO ALL WALL CONSTRUCTION TYPES.

- 3** Insert screws into the wall with a drill leaving just a tip outside the wall.



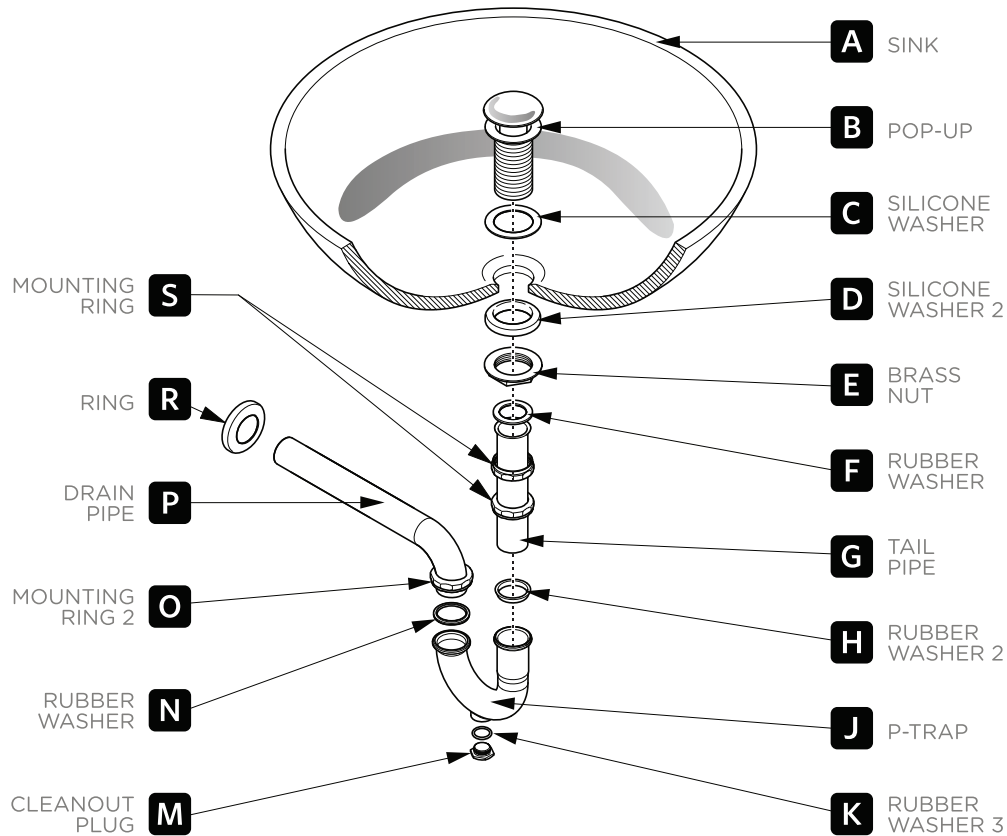
- 4** Hang mirrors (A) on the wall.



P-TRAP & POP-UP

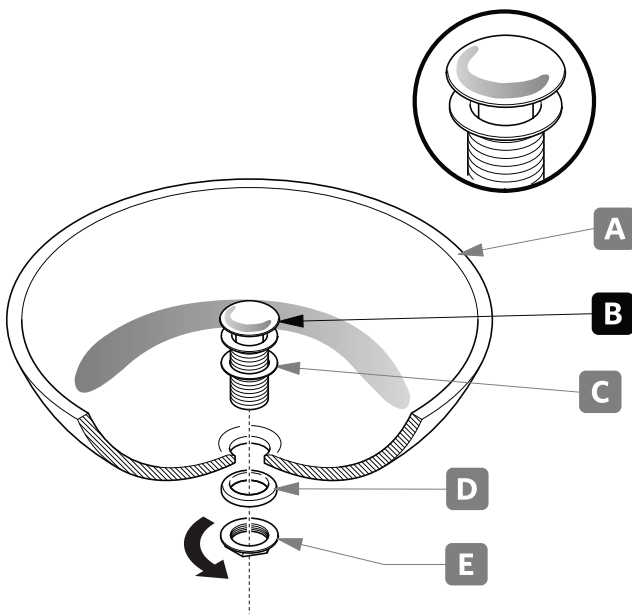
INSTALLATION INSTRUCTIONS

Your item may appear slightly different from the illustration.



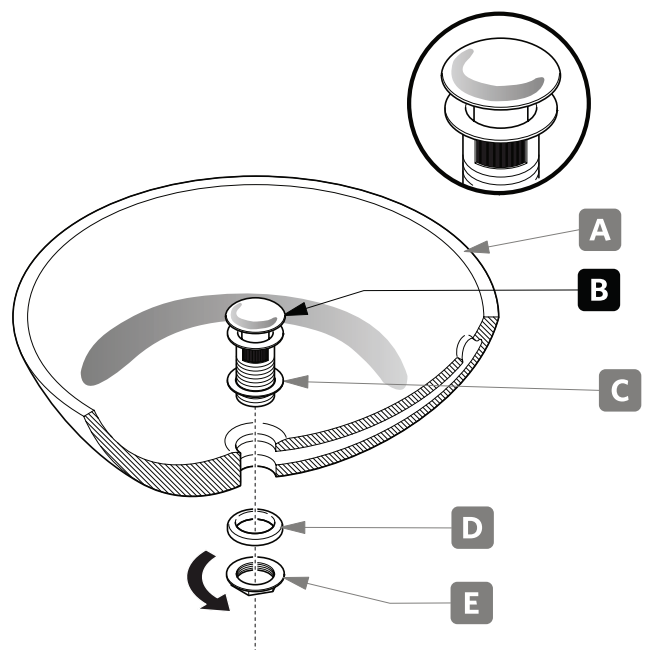
POP-UP INSTALLATION

FOR SINKS WITHOUT OVERFLOW



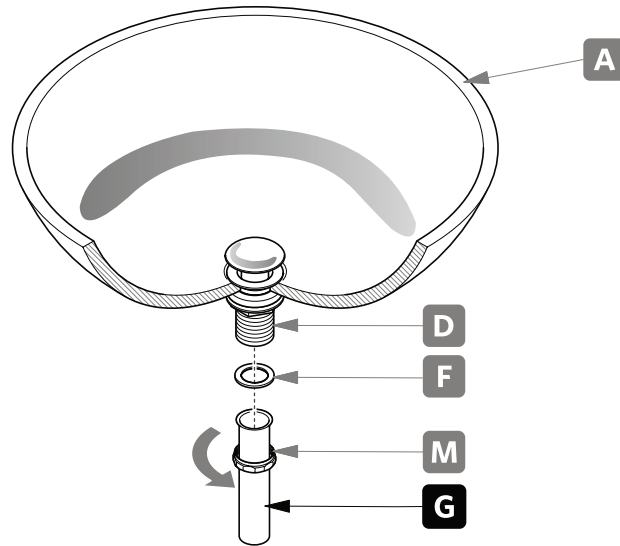
OR

FOR SINKS WITH OVERFLOW



P-TRAP INSTALLATION

1 Install tail pipe (G).



2 Install P-trap (J).

