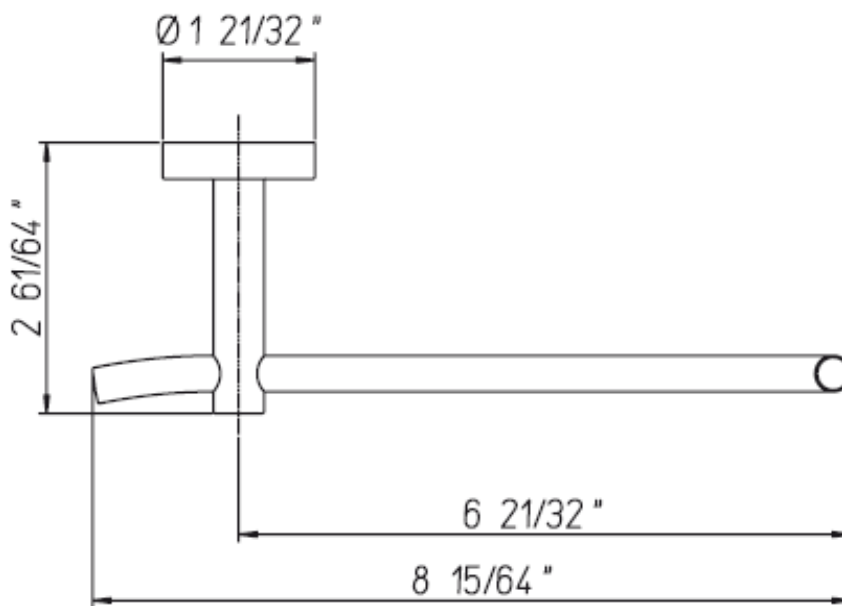


INSTALLATION DIMENSIONS

Bath Accessories

7805100

Paper Holder



Bath Accessories

7805100

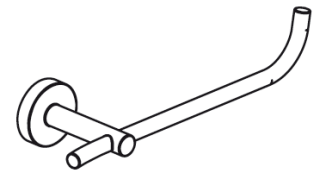
Paper Holder

STANDARDS

- CSA USA certified
- ANSI A117.1
- ASME A112.18.1

| Finishes | 7805100PC | 7805100BN |
|-----------------|-----------|-----------|
| Polished Chrome | X | |
| Brushed Nickel | | X |

| Features | 7805100PC | 7805100BN |
|--|-----------|-----------|
| Solid Brass Construction | X | X |
| Concealed Screw Installation | X | X |
| Mounting Hardware Included | X | X |
| Paper Holder | X | X |
| Step-By-Step Installation Instructions | X | X |
| Limited Lifetime Warranty | X | X |



Project: _____

Contractor: _____