

TIDES BY-PASS

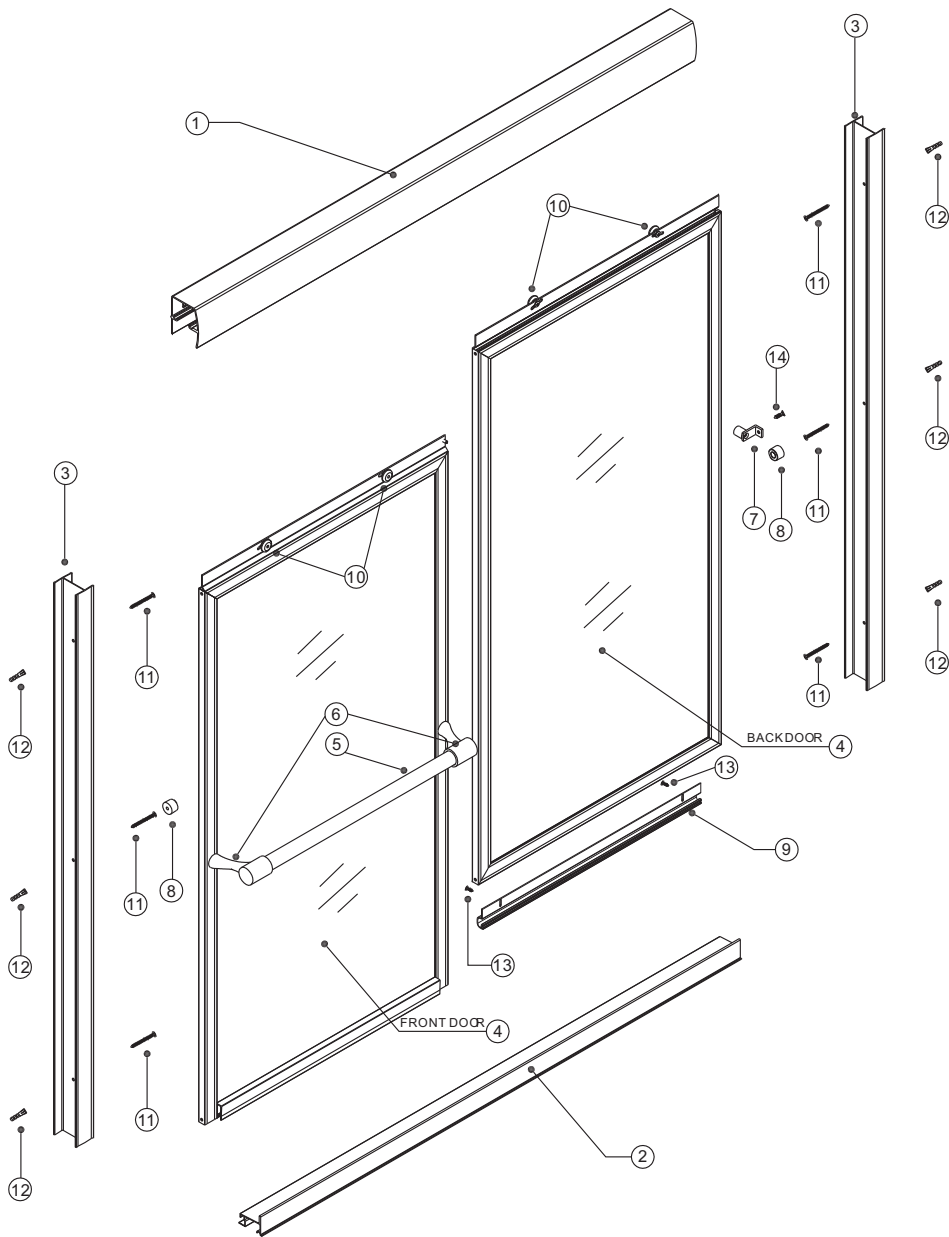
Installation Manual

IMPORTANT: Record the Model No.(see carton) of your tub or shower enclosure for future reference.

Model No. _____

READ THE INSTRUCTIONS CAREFULLY, familiarize yourself with all the parts as shown in the exploded view. The exploded view will also provide a helpful reference when relating to the location of the various parts and how they are mounted.





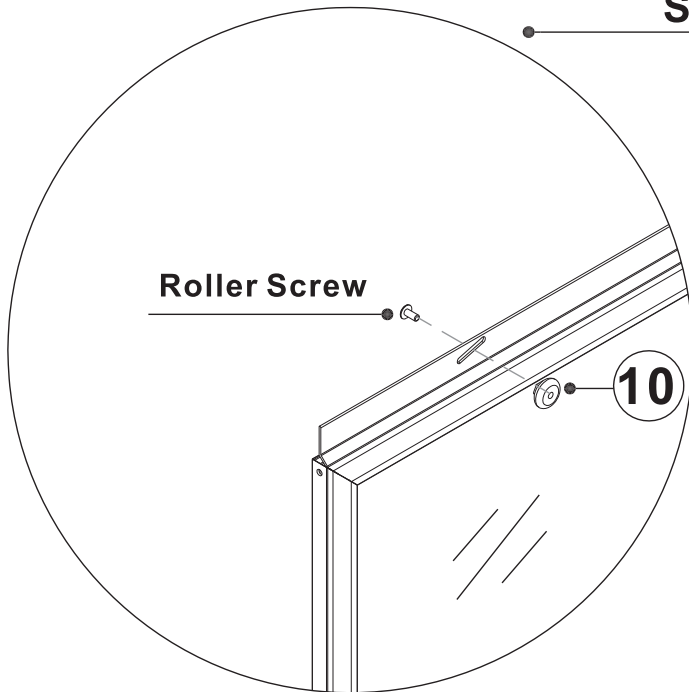
• PART LIST.

TOP TRACK (1 Pcs)	BOTTOM TRACK (1 Pcs)	WALL JAMB (2 Pcs)	FRONT DOOR INSTALL TOWEL BAR BACK DOOR INSTALL HANDLE	TOWEL BAR (1 Pcs)
SUPPORT TOWEL BAR (2 Pcs)	HANDLE (1 Pcs)	BUMPER GUIDE (2 Pcs)	GUIDE (1 Pcs)	ROLLER (4 Pcs)
SCREW (6pcs) 4 x 38mm	WALL PLUG (6 pcs)	SCREW (2pcs) 4 x 9mm	SCREW (1pcs) 4 x 8mm	WRENCH (1pcs)

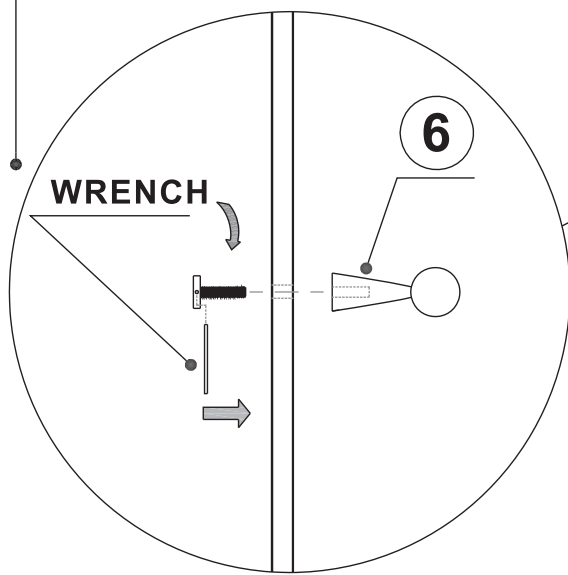
• TOOLS.

STEP 1

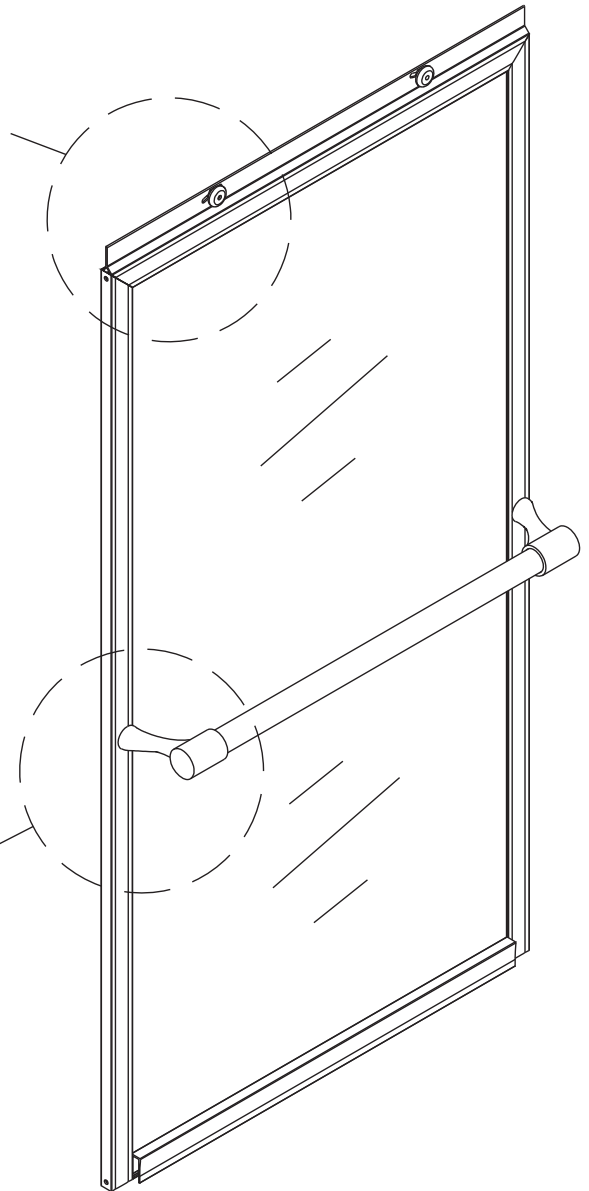
**INSTALL FRONT DOOR AND
BACK DOOR ROLLER**



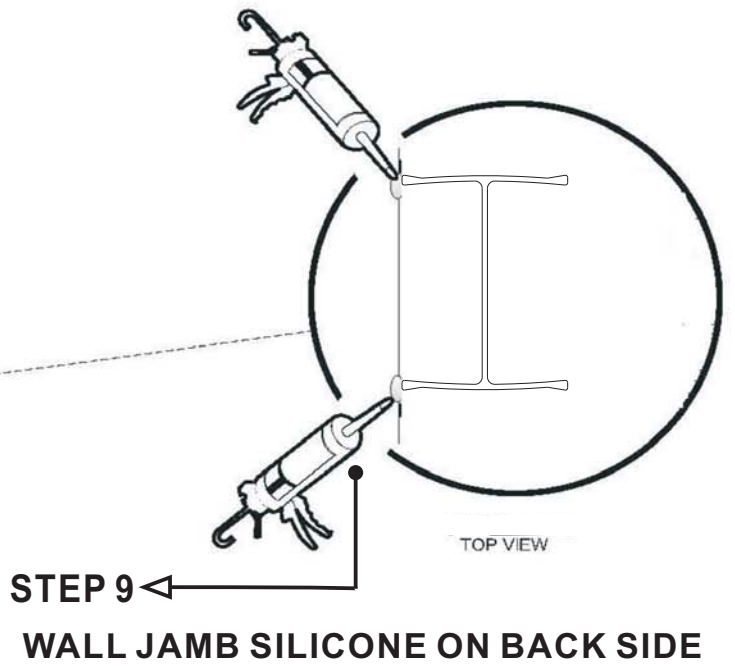
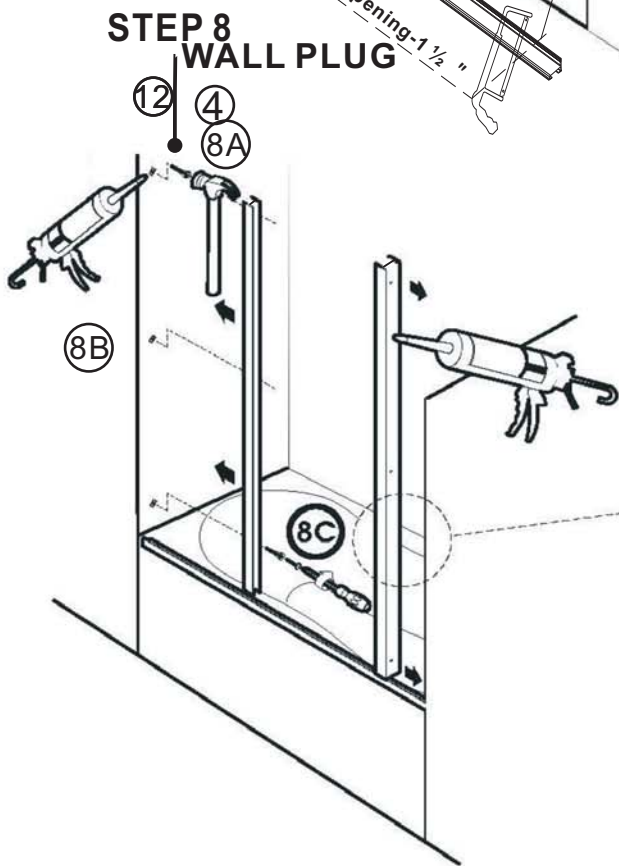
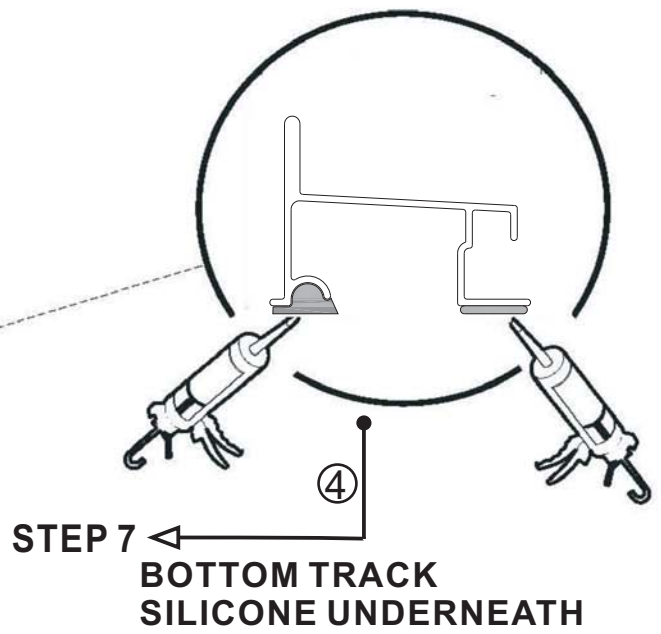
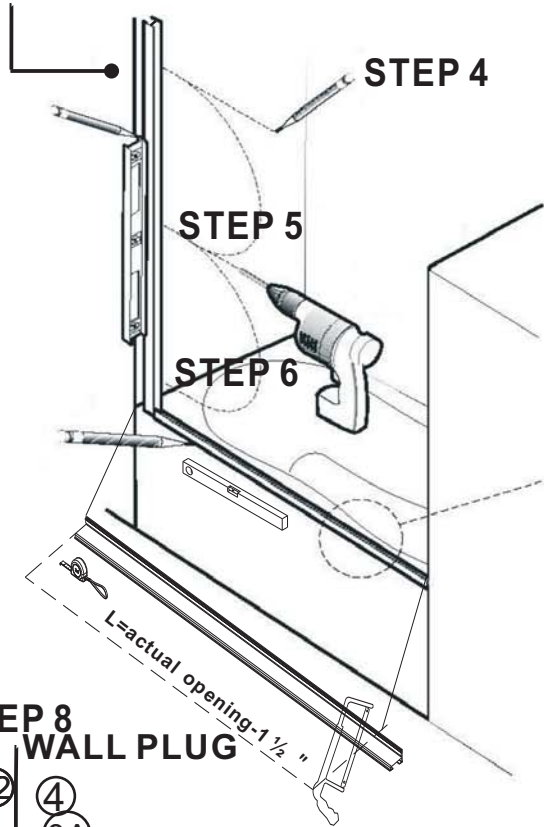
STEP 2
**INSTALL FRONT DOOR
TOWEL BAR**



SIDE VIEW



STEP 3 REPEAT ON BOTH SIDE

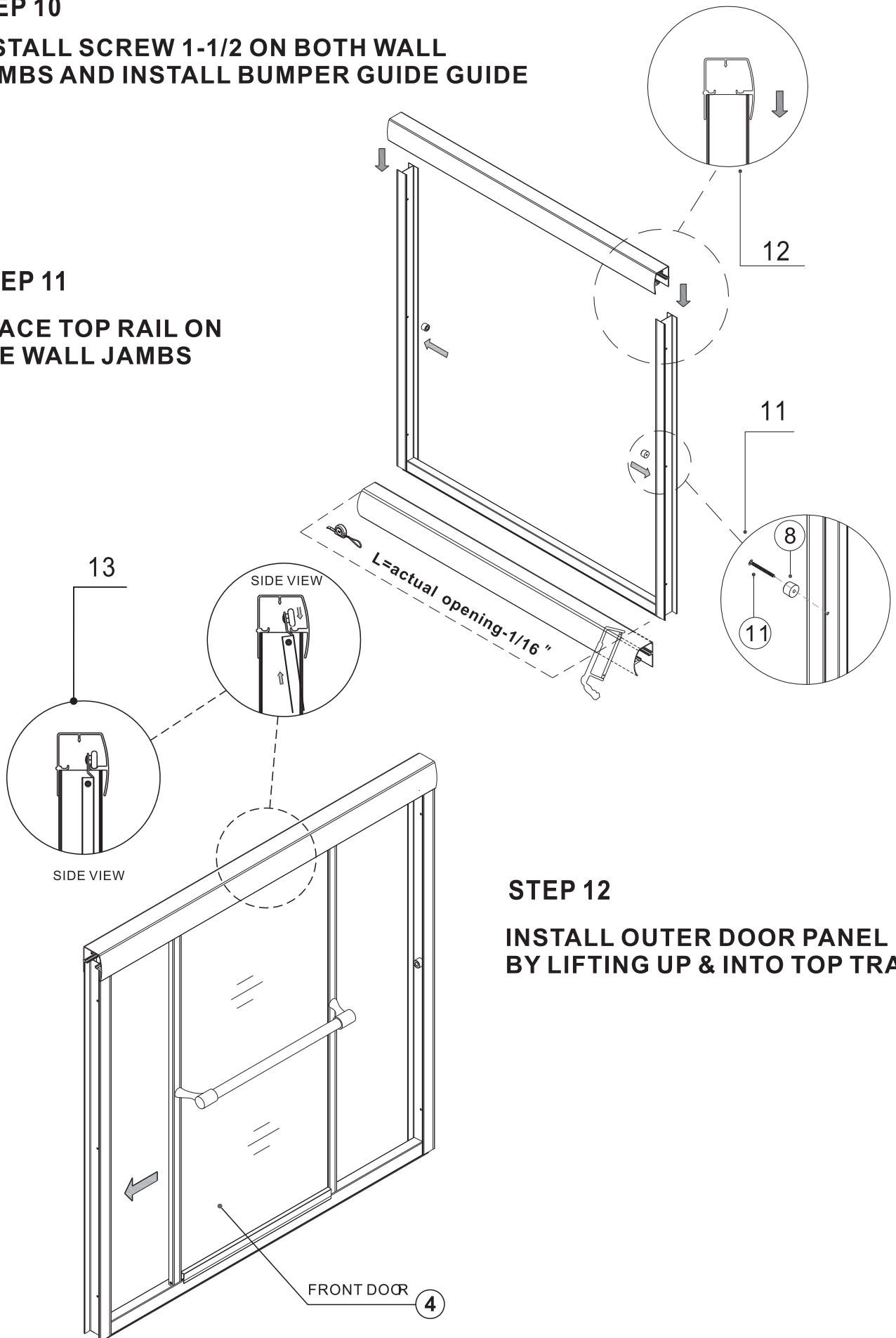


STEP 10

INSTALL SCREW 1-1/2 ON BOTH WALL JAMBS AND INSTALL BUMPER GUIDE GUIDE

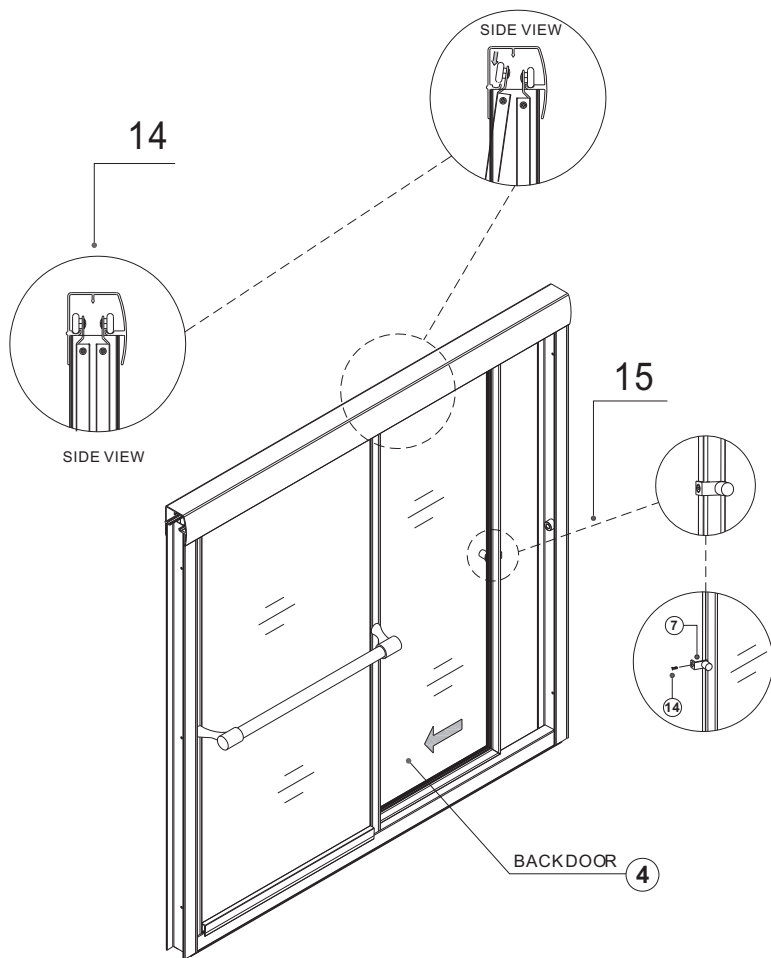
STEP 11

PLACE TOP RAIL ON THE WALL JAMBS



STEP 12

INSTALL OUTER DOOR PANEL BY LIFTING UP & INTO TOP TRACK

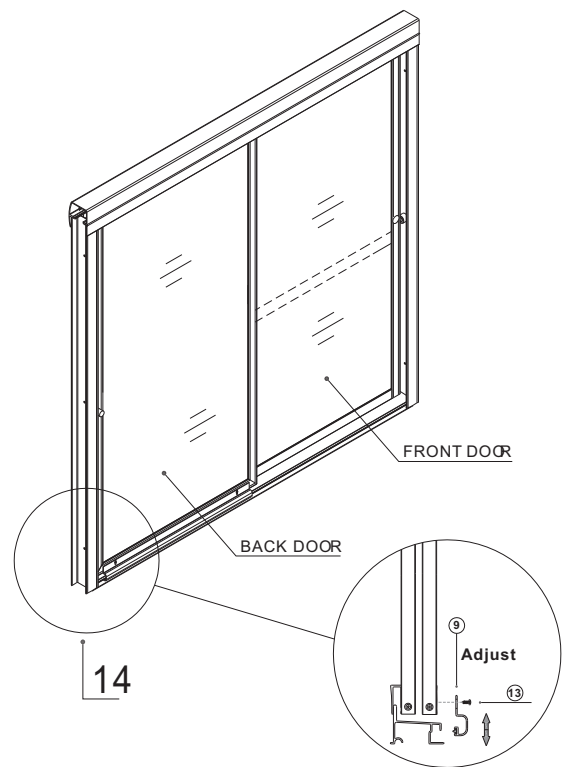


STEP 13

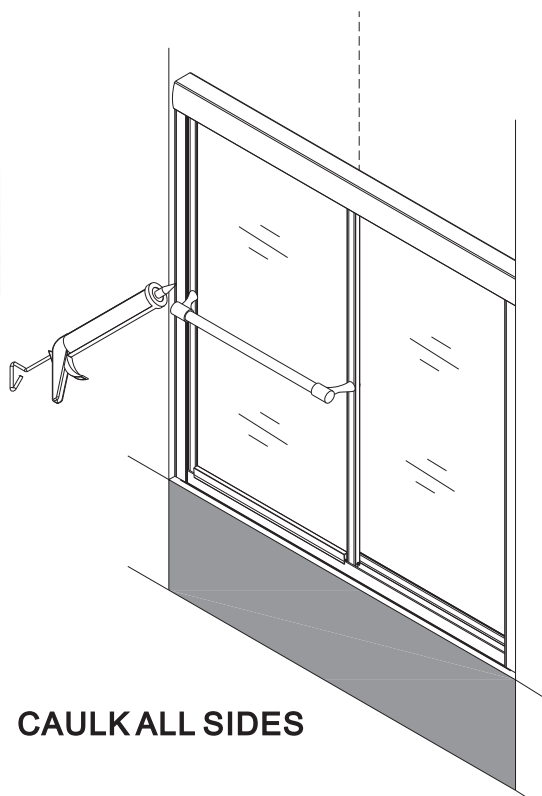
INSTALL BACK DOOR HANDLE WITH 5/16 SCREW

STEP 14

INSTALL BACK DOOR GUIDE WITH 5/16 SCREW



24 Hours



CAULK ALL SIDES