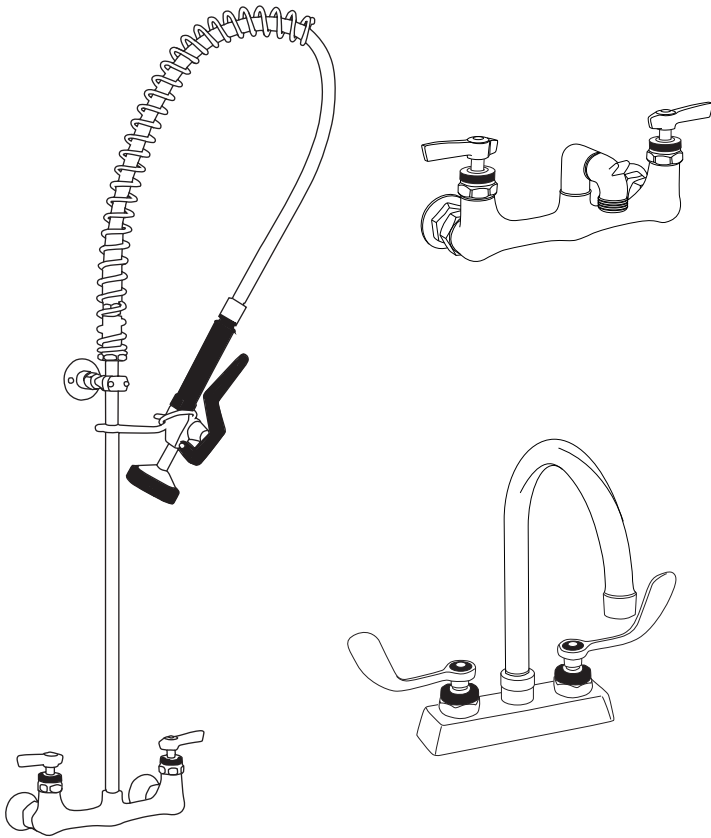


ELKAY®

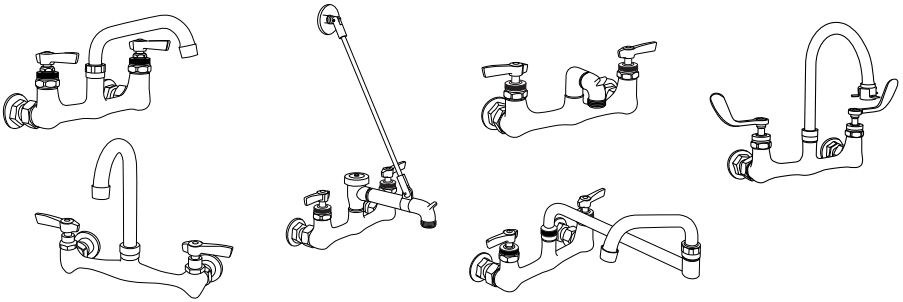
Installation Instructions for Wall Mount, Deck Mount and Pre-rinse Faucets



SAVE FOR END USER

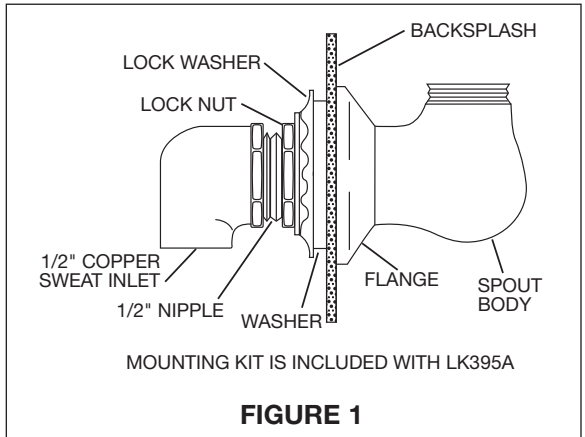
ELKAY • 2222 CAMDEN COURT • OAK BROOK, IL 60523 USA

WALL MOUNT ASSEMBLY



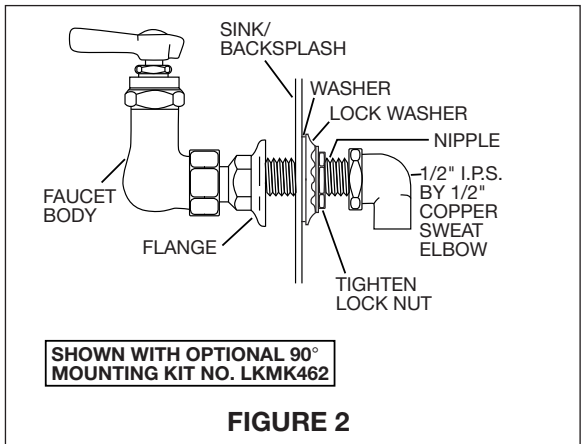
General Instructions

- Turn off the water supply at the main source.
- Hand tighten all parts prior to tightening with wrench. Do not force parts together.
- Handle plated surfaces with care, being careful not to scratch with tools.
- Wall mount faucets have a 1/2" I.P.S. female flanged inlet.
- For easier assembly, you may purchase as an accessory, the LKMK462 mounting kit (see Figure 2).



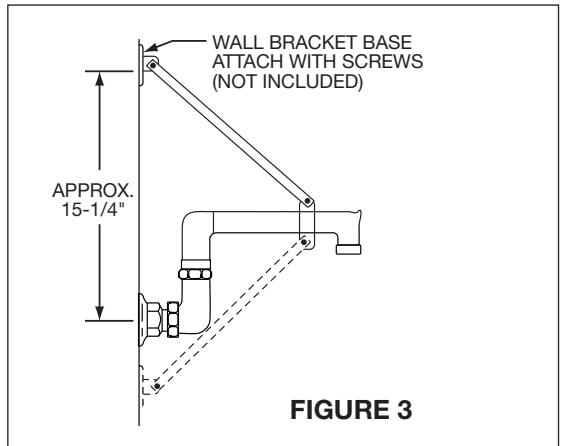
Assemble Flanges to Backsplash

1. Apply teflon tape or pipe joint compound to the supply line nipples.
2. Place nipples through holes in backsplash.
3. Assemble each flange to one nipple, then the other.
4. Using the optional LKMK462, apply in order behind the backsplash: rubber washer, lock washer, lock nut and elbow (see Figure 2).
5. Thread flange loosely against wall or backsplash.



Assemble Faucet to Flange

1. Carefully orient, mount and hand tighten the faucet to the two flanges. Be sure to include the washers provided.
2. Use wrench to tighten flange against backsplash. (Maintain alignment of faucet or spout to sink while tightening.)
3. Wrench tighten flanges to faucet body, tighten flange against backsplash.
4. Make sure drain is attached and turn on water supply – being sure to check for leaks. Wrench tighten where needed.
5. For Model LK907B0BC08H,



the support bracket may either be placed above or below the faucet (see Figure 3). After installing the faucet, place wall bracket against wall for location of the proper anchors and fasteners.

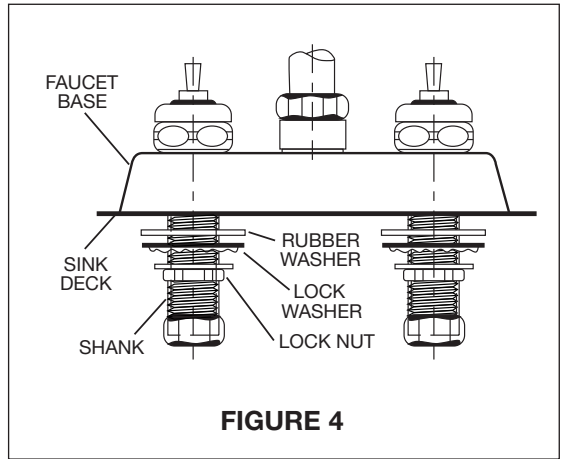
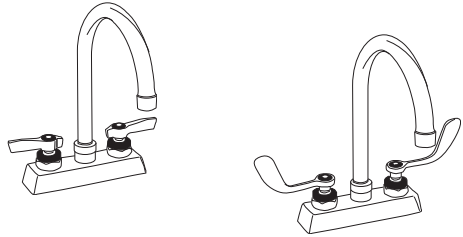
TO FIX SPOUT IN POSITION

1. Prior to spout installation remove provided lock pin from sealed bag.
2. Place lock pin in the pierced hole at the base of the spout.
3. Align pin with slots in the ring found inside the throat of the spout connection on the faucet body.
4. Tighten spout nut to appropriate torque.

DECK MOUNT ASSEMBLY

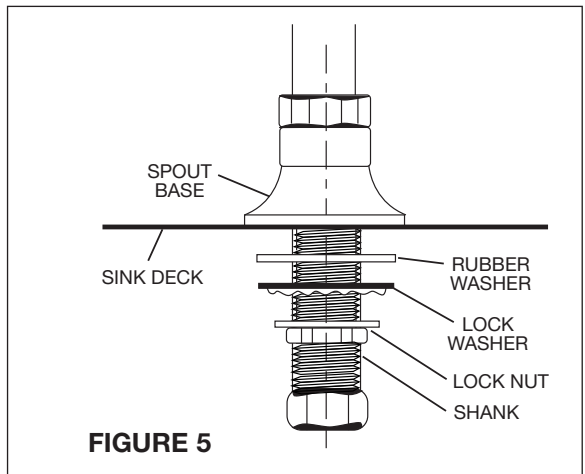
General Instructions

- Turn off the water supply at the main source.
- Hand tighten all parts prior to tightening with wrench. Do not force parts together.
- Handle plated surfaces with care, being careful not to scratch with tools.
- All deck mount faucets and spouts come complete with compression nut, cone washer and friction ring for 1/2" O.D. tube.



Assemble Base to Sink Deck

1. Apply teflon tape or pipe joint compound to the threads on the shank(s).
2. Apply a small amount of plumbers putty or sealant along faucet base.
3. Place shank(s) through holes in deck.
4. Apply in order: rubber washer, lock washer and lock nut (see Figures 4 and 5).
5. Use wrench to tighten lock nut against deck of sink. (Maintain alignment of faucet or spout to sink while tightening.)
6. Attach supply lines.
7. Make sure drain is attached and turn on water supply – being sure to check for leaks. Tighten with wrench where needed.



TO REPLACE CARTRIDGE

General Instructions

- Turn off the water supply at the main source.
- Handle plated surfaces with care being careful not to scratch with tools.
- When assembling faucet after replacement, hand tighten all parts prior to tightening with wrench. Do not force parts together.

For LK500C and LK945 Models

1. After shutting off water supply, move handles to open position to relieve built up pressure.
2. Remove handles from cartridge stem.
3. Remove handle nuts if applicable.
4. Loosen and remove cartridges from faucet body.
5. Insert new cartridge, hot on the RIGHT side, cold on the LEFT and torque to 128 kg/cm. (Cartridges are installed opposite of normal configuration due to the on/off handle direction.)
6. Turn on water supply, cycle cartridge on and off checking for leaks.
7. Install and tighten handle nuts if applicable.
8. Turn both cartridges to the off position and properly reposition the handles, hot on the left and cold on the right from the user position.
9. Tighten the handles and cycle the faucet to confirm proper function.

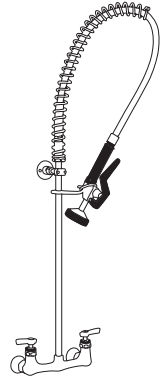
For All Other LK Models

1. After shutting off water supply, move handles to open position to relieve built up pressure.
2. Remove handles from cartridge stem.
3. Remove handle nuts if applicable.
4. Loosen and remove cartridges from faucet body.
5. Insert new cartridge, hot on the LEFT side, cold on the RIGHT and torque to 128 kg/cm.
6. Turn on water supply, cycle cartridge on and off checking for leaks.
7. Install and tighten handle nuts if applicable.
8. Turn both cartridges to the off position and properly reposition the handles, hot on the left and cold on the right from the user position.
9. Tighten the handles and cycle the faucet to confirm proper function.

PRE-RINSE ASSEMBLY

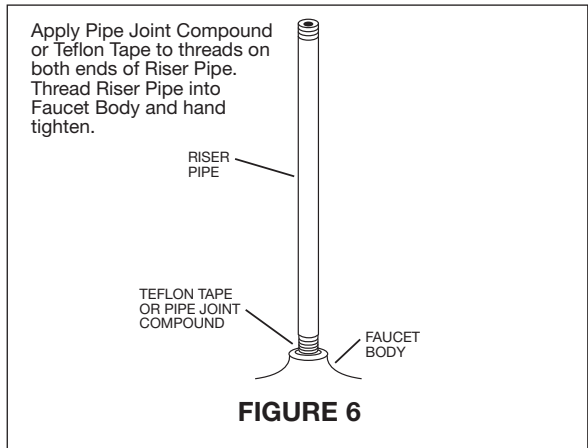
General Instructions

- Turn off the water supply at the main source.
- Hand tighten all parts prior to tightening with wrench. Do not force parts together.
- Handle plated surfaces with care, being careful not to scratch with tools.
- All wall mount faucets have a 1/2" I.P.S. female flanged inlet.
- For easier assembly, you may purchase as an accessory, the LKMK462 mounting kit (see Figure 2). For spout model LK395A a mounting kit is included.



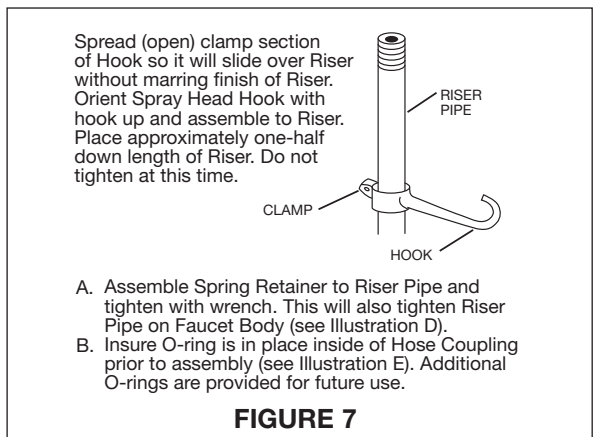
Assemble Flanges to Backsplash

1. Apply teflon tape or pipe joint compound to the supply line nipples.
2. Place nipples through holes in backsplash.
3. Assemble flange of each coupling to one nipple, then the other.
4. Thread flange loosely against wall or backsplash.

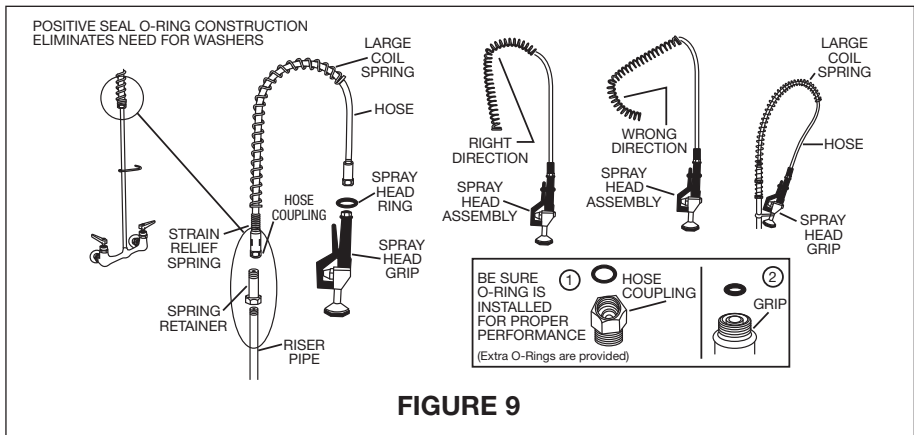
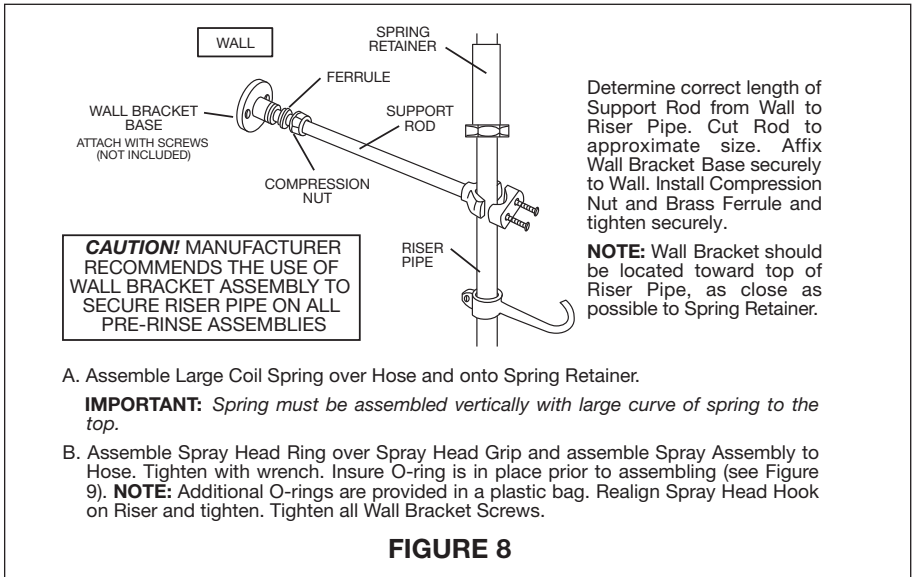


Assemble Faucet to Flanges

1. Carefully orient, mount and hand tighten the faucet to the two flanges. Be sure to include the washers provided.
2. Use wrench to tighten flange against wall or backsplash. (Maintain alignment of faucet or spout to sink while tightening.)
3. Wrench tighten couplings to faucet body, tighten flange against sink/backsplash.
4. Assemble riser pipe (see Figure 6).
5. Assemble spray head hook to riser (see Figure 7).



6. Assemble wall bracket (see Figure 8).
7. Assemble hose, spring, and spray head (see Figure 9).
8. Make sure drain is attached and turn on water supply – being sure to check for leaks. Tighten with wrench where needed.



IMPORTANT END USER INFORMATION

Care and Cleaning Instructions

Your Elkay faucet has been constructed of the finest materials, however, certain precautions must be taken to maintain the lustrous decorative finish.

Do not use abrasive cleansers or harsh chemical cleansers on this product which could damage the finish.

A warm water wash with a wipedown using a soft cloth will generally remove dry water spots. Never use alcohol or other organic solvents.

TO PURCHASERS OF ELKAY INSTITUTIONAL FAUCETS

By public referendum known as "Proposition 65" the State of California requires manufacturers of many types of products to warn consumers if their products contain certain chemicals listed by the State of California as either carcinogen or reproductive toxins. This warning is a requirement only in the State of California. More than 200 chemicals are listed by the state as carcinogen or reproductive toxins for which similar warnings are required and many of the listed chemicals occur naturally in food, water and the atmosphere.

This California listing imposes limits that, in many cases, are far below those allowed by the federal government and like all brass or bronze plumbing products, this item

already meets federal standards and guidelines for maximum allowable lead content.

Brass faucets have been used for decades without any proven harmful effects and industry tests have further indicated no significant health risks.

NOTICE: TO OWNERS OF ELKAY INSTITUTIONAL FAUCETS - CONSUMER WARNING!

This product contains chemicals known to the State of California to cause birth defects or other reproductive harm. Lead, which is contained in all brass and bronze faucets in very limited amounts appears on the state's list.

ELKAY FAUCET LIMITED WARRANTY

Elkay warrants its faucets to be free of defects in workmanship and material for a period of one year from the date of purchase. Replacement parts are available from Elkay for a nominal charge. Upon return of a defective part to Elkay during the warranty period with written notice of the claimed defect, Elkay will refund the replacement charge.

WASTE FITTINGS AND ACCESSORIES ARE NOT WARRANTED; OTHER WARRANTY CONDITIONS:

Our warranty does not cover product failure caused by abusive treatment, misuse, or damage due to handling or faulty installations. This warranty is extended only to the original consumer purchaser of the product. This warranty does not cover shipping costs, labor costs, or any other charges for such items as installation or replacement of the sink, diagnosis or replacement of any faucet or component part, or any other expense or loss.

ALL INCIDENTAL OR CONSEQUENTIAL DAMAGES ARE SPECIFICALLY EXCLUDED. NO ADDITIONAL WARRANTIES, EXPRESS OR IMPLIED, ARE GIVEN. ANY IMPLIED WARRANTY, INCLUDING ONE OF MERCHANTABILITY OR FITNESS FOR A PARTICULAR PURPOSE, IS LIMITED TO THE DURATION OF THIS WRITTEN WARRANTY.

Some states do not allow the exclusion or limitation of incidental or consequential damages or limitations on how long an implied warranty lasts, so the above limitations or exclusions may not apply to you.

This warranty gives you specific legal rights, and you may also have other rights which vary from state to state.

TO OBTAIN SERVICE UNDER WARRANTY

1. Write to: Elkay
Attention: Consumer Service
2222 Camden Court
Oak Brook, Illinois 60523
2. Include a letter containing the following information:
 - a. Date of purchase and installation
 - b. Description of nature of defect
 - c. Model number or description of model and/or component part if possible.

Elkay

www.elkayusa.com

2222 Camden Court
Oak Brook, IL 60523
USA

Printed in U.S.A.

©2004 Elkay

(Rev. A 9/04) A-55483