

ELKAY[®]

SPECIFICATIONS

Commercial Faucet Model LK406TS08T4 Deck Mount 4" Center Tube Spout 8"

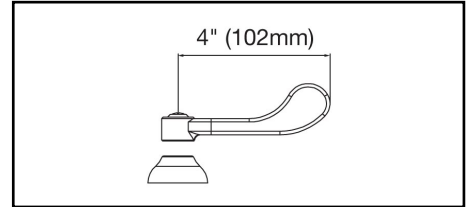
GENERAL FEATURES

- Quarter turn ceramic disc cartridge
- Solid brass construction
- Chrome finish
- Replacement cartridge A70001 for cold
- Replacement cartridge A70002 for hot
- Includes spout swing restriction pin

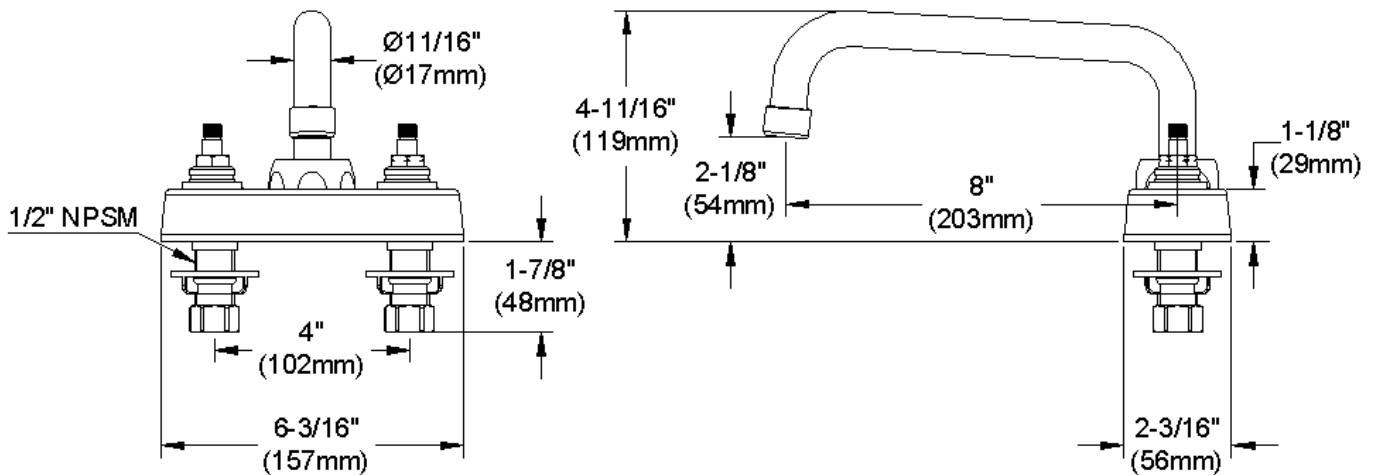
COMPLIES WITH:

- ASME/ANSI A112.18.1
- CSA B125-01
- NSF/ANSI 61
- ADA
- UPC/CUPC
- IAPMO Listed

Wristblade Handle 4 inch, Two Piece



Replacement Handle A55387
Replacement Escutcheon A55390



FRONT VIEW

(shown less handles)

SIDE VIEW

| | |
|-------------------------------------|------------------------|
| Job Name: | Item #: |
| Notes: | |
| Architect/Engineer Approval: | Date: 10/7/2005 |

For warranty information go to www.elkayusa.com