

MultiChoice™ Universal Pressure Balance Tub and Shower with Diverter Valve for Dual Showers

TECK®
COMMERCIAL



Specification: (example)

- **R10700-UNWS** ROUGH-IN only
 - Concealed in-wall MultiChoice™ universal valve
 - Back-to-back capability, Integral screwdriver stops
 - **Heavy Duty forged brass** valve body,
 - 1/2" Universal inlets to accept 1/2" copper, 1/2" iron pipe, PEX or CPVC adaptors
 - 1/2" Male thread inlets/outlets
 - In-wall diverter valve
 - **FINISH TRIM ONLY:**
 - Pressure Balancing cartridge with checks
 - Polished chrome plated finish
 - ADA Compliant diverter handle
 - Non-removeable red/blue temperature markings
- and ... with ... (add product variation)
with ... (add shower)
with ... (add valve handle)



T13H923

Engineer/Architect Approval

Model Specified:

Approval:

Date:

| TUB AND SHOWER DESCRIPTION | PRODUCT NO. |
|---|--------------------|
| ROUGH-IN with Diverter Valve & Stops | R10700-UNWS |
| FINISH TRIM only | T13H |



| PRODUCT VARIATION | SHOWER | HANDLE |
|--|---|---|
| 0 <input type="checkbox"/> | 0 Specify "0" When No Shower Outlet Required <input type="checkbox"/> | 0 <input type="checkbox"/> |
| 1 <input type="checkbox"/> | 1 Standard Brass Fixed Spray Showerhead Arm & Flange 2.2 USGPM (8.4 L/min.) <input type="checkbox"/> | 1 <input type="checkbox"/> |
| 2 <input type="checkbox"/> | 2 3-Funtion Touch-Clean Showerhead, Arm & Flange 2.5 USGPM (9.5 L/min.) <input type="checkbox"/> | 2 85mm (3.33") Metal Lever Handle <input type="checkbox"/> |
| 3 Shower, Handshower, Diverter Valve, 610mm (24") S/S Grab Bar with ADA Slide 1.5 USGPM (5.7 L/min.) (1) (2) <input type="checkbox"/> | 3 Showerhead Arm & Flange 1.5 USGPM (5.7 L/min.) <input type="checkbox"/> | 3 57mm (2.24") Lever Blade Handle <input type="checkbox"/> |
| 4 <input type="checkbox"/> | 4 <input type="checkbox"/> | 4 <input type="checkbox"/> |
| 5 <input type="checkbox"/> | 5 <input type="checkbox"/> | 5 <input type="checkbox"/> |
| 6 <input type="checkbox"/> | 6 30° Vandal Resistant Cast Wallmount Showerhead 1.5 USGPM (5.7 L/min.) <input type="checkbox"/> | 6 <input type="checkbox"/> |
| 7 <input type="checkbox"/> | 7 <input type="checkbox"/> | 7 <input type="checkbox"/> |
| 8 <input type="checkbox"/> | 8 H2Okinetic Technology® Showerhead, Arm & Flange, 1.5 USGPM (5.7 L/min.) <input type="checkbox"/> | 8 <input type="checkbox"/> |
| 9 Tub & Shower (Same as No. 3 above) but with Diverter Spout (1) (2) <input type="checkbox"/> | 9 <input type="checkbox"/> | 9 <input type="checkbox"/> |

(1) Product Variations 3 and 9 require selection of the second showerhead from Shower Option No. 1, 2, 3, 6 or 8 (2) Two check valves in handshower. Flowrates are at 80 PSI. Set screw shower arm flange supplied on Shower Option No. 1, 2, 3 and 8. See DSP-SHWA Rev. C for Add-On options available. Refer to www.specselect.com for individual models. See DSP-B-10000-HDF for additional Rough-In options. Note: Use this page front and back as a product submittal sheet.

Delta reserves the right (1) to make changes in specifications and materials, and (2) to change or discontinue models, both without notice or obligation. Dimensions are for reference only. See current full-line price book or www.specselect.com for finish options and product availability.

DSP-T13H3 Rev. C



TECK[®]
COMMERCIAL

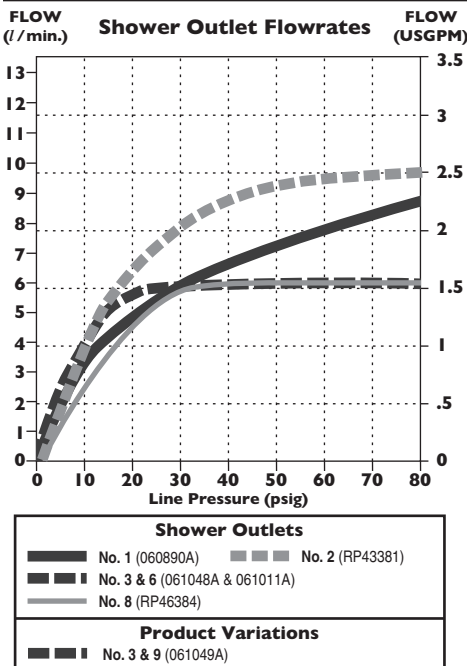
MultiChoice™ Universal Pressure Balance Tub and Shower with Diverter Valve for Dual Showers

Approvals:

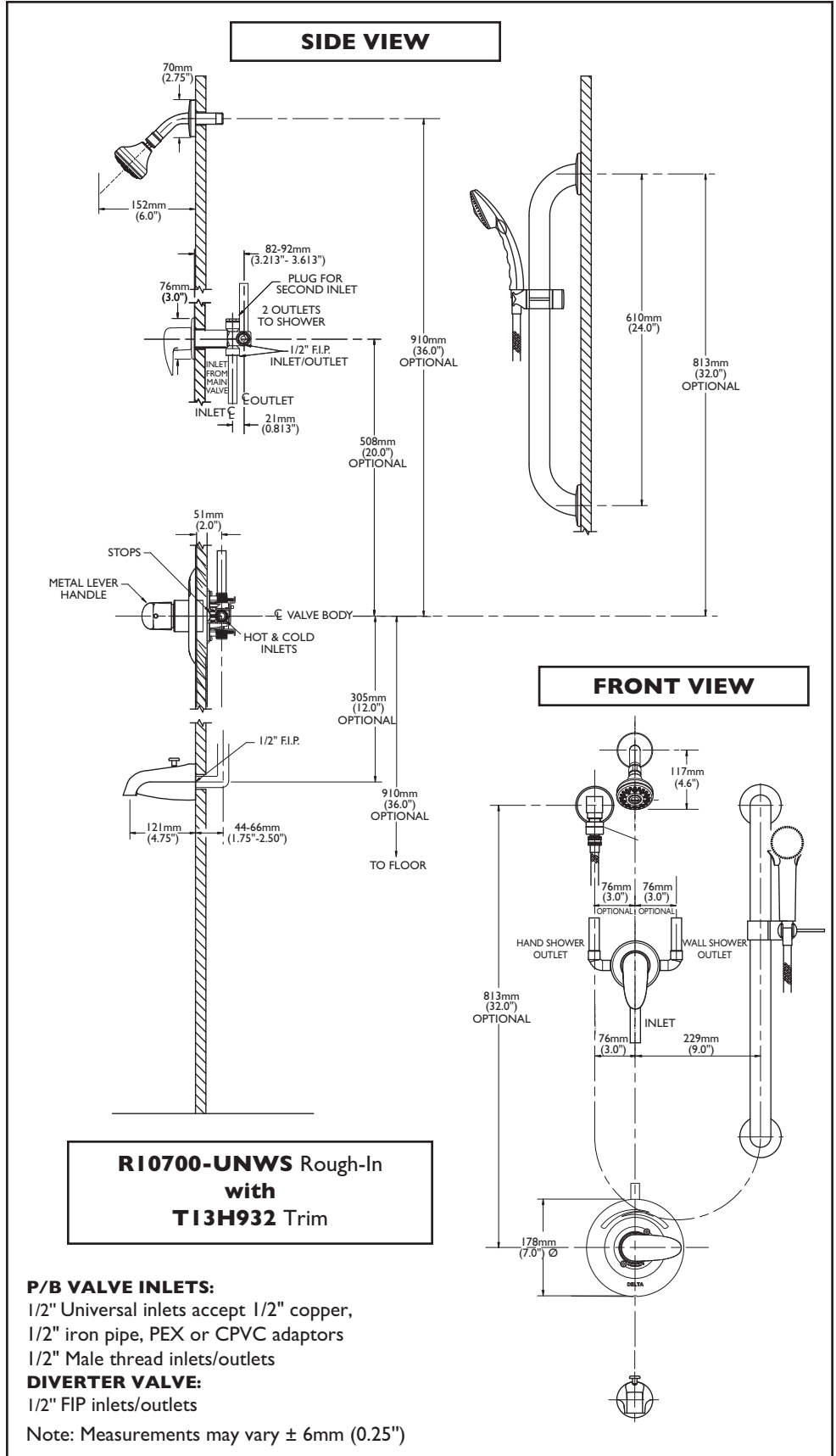
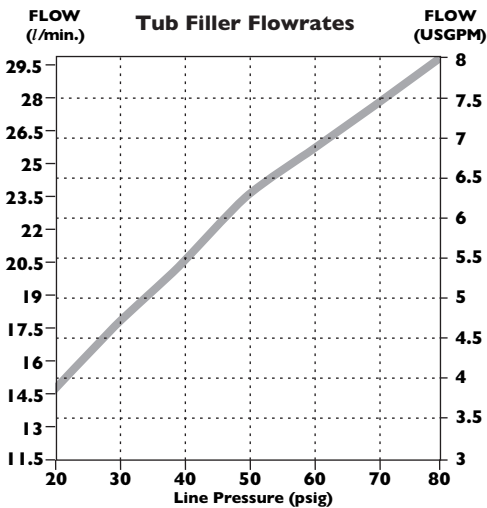
- CSA certified
- Complies to ASME A112.18.1
- P/B and Diverter Lever Handles ADA Compliant and meet Handicapped Accessibility Standard ASME A117.1 of less than 5 lbs. operating force.
- Pressure Balance Valve ASSE 1016
- Handshower back flow protection provided by two integral certified check valves in series, which operate independently, ASME A112.18.3 and ASME A112.18.1 / CSA B125.1.
- IAPMO listed

(Contact Delta Representative for State and/or Local Approvals.)

FLOWRATE vs PRESSURE



FLOWRATE vs PRESSURE



Refer to www.specselect.com for individual models.

Note: Use this page front and back as a product submittal sheet.