

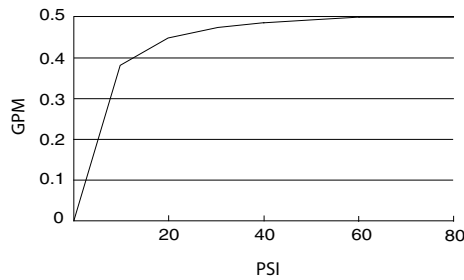
SPECIFICATIONS

AERATOR KIT 0.5 GPM

Description

- Flow rate at 0.5 gallon per minute
- Spray flow pattern
- Pressure compensating between 20 psi and 80 psi
- Insert provided by Neoperl (see the number in brackets below)
- Female or male thread available
- Rolling printed "A112.18.1M, 0.5 GPM / 1.9 LPM Max"

Flow Rate



Standards

MEETS ASME
A112.18.1M

- ASME A112.18.1M

Warranty

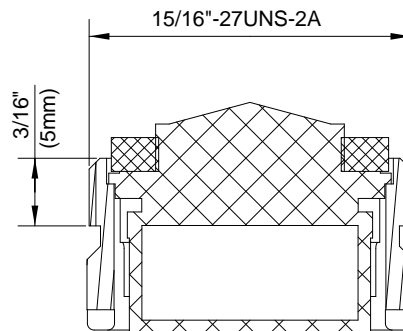
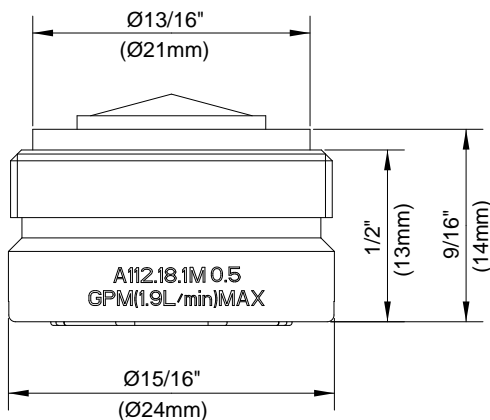
Danze products are covered by a manufacturer's limited "lifetime" warranty for manufacturing defects.

Model Numbers:

DA500199N (A5.9035.1)	0.5 GPM, junior, male, spray, no wrench included
DA500211N (A5.9042.1)	0.5 GPM, standard, female, spray, no wrench included
DA613075N (A5.9035.1)	0.5 GPM, junior, male, spray
DA613081N (A5.9042.1)	0.5 GPM, standard, male, spray
DA500209N (A5.9035.1)	0.5 GPM, junior, male, spray, no wrench included
DA500212N (A5.9042.1)	0.5 GPM, standard, female, spray, no wrench included
DA500215N (44.7159.0.0001)	0.5 GPM, tom thumb, female, spray, no wrench included
DA613093N (44.7159.0.0001)	0.5 GPM, tom thumb, male, spray
DA613077N (44.7159.0.0001)	0.5 GPM, tom thumb, male, spray
DA500214N (A5.9042.1)	0.5 GPM, standard, male, spray, no wrench included

Finishes Available

- Chrome
- Other: Refer to Price List for additional finish



Submittal Information:

Job Name: _____

Location: _____

Contractor: _____

Contact #: _____