

SPECIFICATIONS

PRINCE™ TWO HANDLE MINI-WIDESPREAD LAVATORY FAUCET

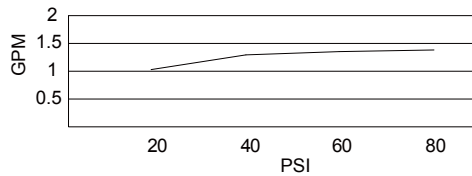
Model

D304010

Description

- Ceramic disc valves
- 3 3/4" spout length, laminar flow
- 50/50 touch down drain assembly
- 3 hole mount, 4" - 12" installation
- Flow rate: 1.5 gpm @ 60 psi

Flow Rate



Standards



- NSF 61-9
- Energy Policy Act of 1992



- ASME A112.18.1M/A112.18.1
- NSF/ANSI 372



- ADA Accessibility Guidelines for Buildings and Facilities - 4.27.4 Controls and Mechanisms

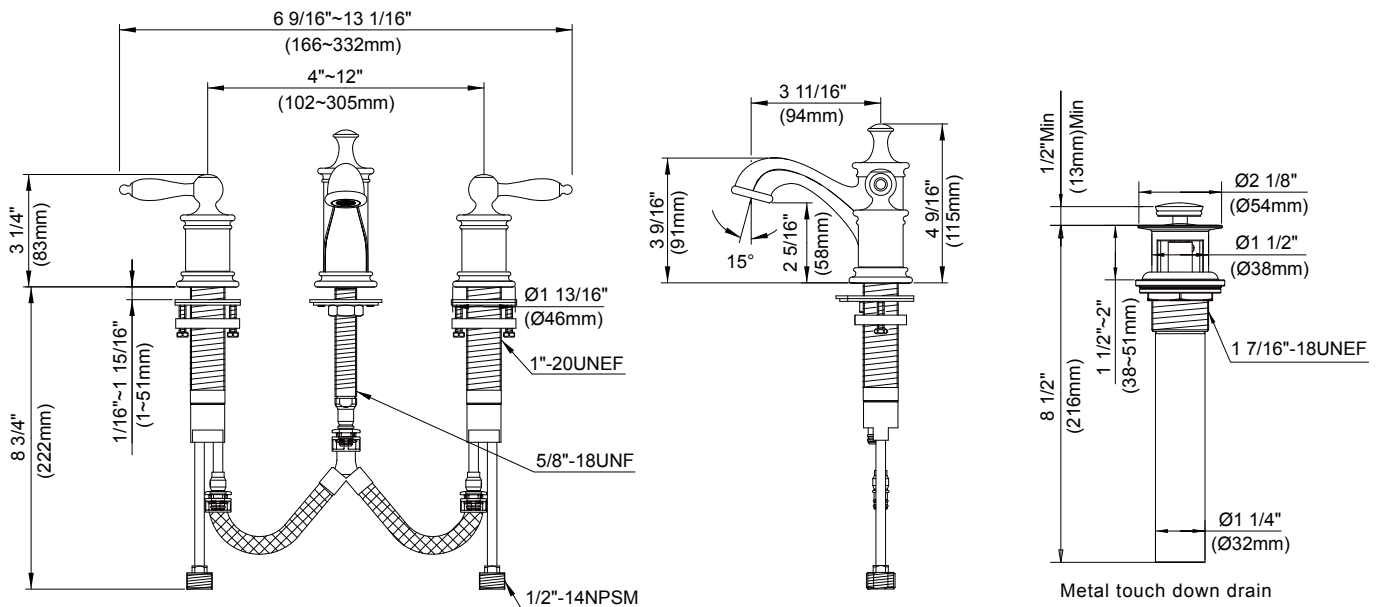


Finishes Available

- Chrome
- Other: Refer to Price List for additional finish

Warranty

Danze products are covered by a manufacturer's limited "lifetime" warranty for manufacturing defects.



Submittal Information:

Job Name: _____

Location: _____

Contractor: _____

Contact #: _____