

CF-K10-100/-101, CF-K50-100/-101, CF-K51-100/-101 & CF-K80-100/-101 Kitchen/Prep Pull-Down Faucet Installation Instructions

CALIFORNIA FAUCETS RECOMMENDS THAT ALL PLUMBING PRODUCTS BE INSTALLED BY A LICENSED PROFESSIONAL

IMPORTANT: Read all instructions prior to installation and provide copy of instructions to consumer.

Operating Specifications:

Recommended Supply Pressure:

20 to 70 psi[†]

* Operating pressures between hot and cold supplies should vary no more than 30 psi.

† If water pressure exceeds 70 psi, install a Pressure-Reducing Valve (RPV).

I INSTALLING TO SINK/DECK

Important: The recommended sink/deck through-hole shall be $\varnothing 1\text{-}3/8"$. Maximum sink/deck thickness should no greater than 2-1/4"

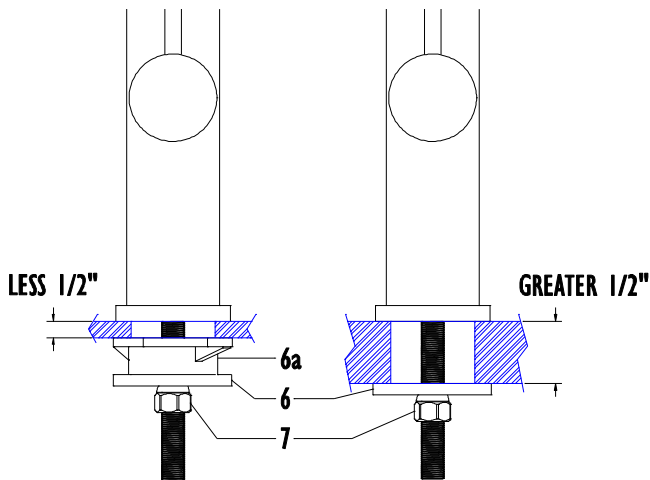
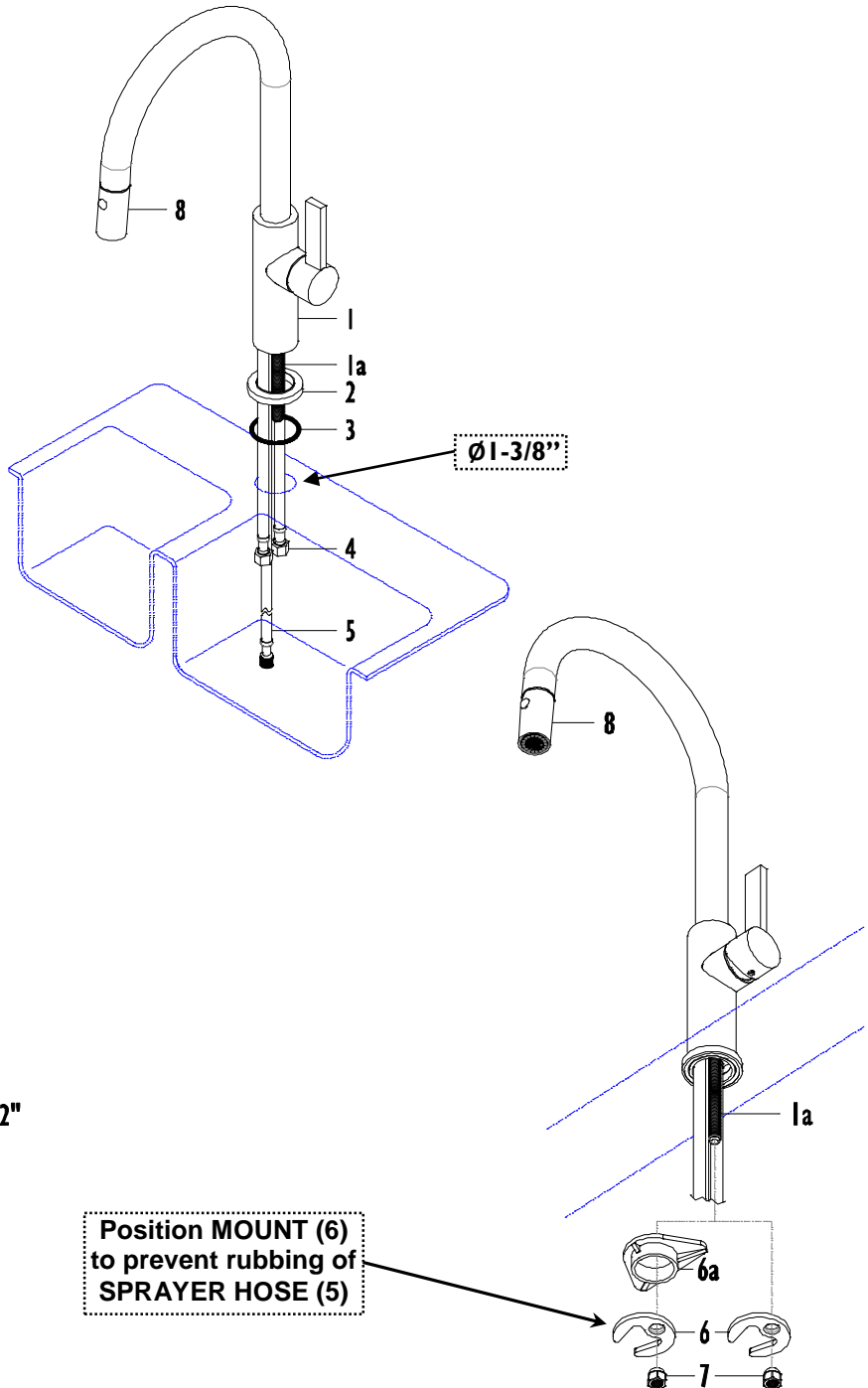
- Place BASE (2) with O-RING (3) onto BODY (1)
- Slide INLET HOSES (4) and SPRAY-HOSE (5) through sink/deck hole

Important: Based on sink/deck thickness the use of SPACER (6a) needs to be determined. If thickness is LESS than 1/2" use SPACER (6a), if GREATER than 1/2" use only MOUNT (6).

- From underside slide SPACER (6a), in necessary, MOUNT (6) and NUT (7) onto SHANK (1a); loosely tighten NUT (7)

Important: Position MOUNT (6) so that SPRAY-HOSE (5) does NOT rub against MOUNT (6) when SPRAYHEAD (8) is pulled.

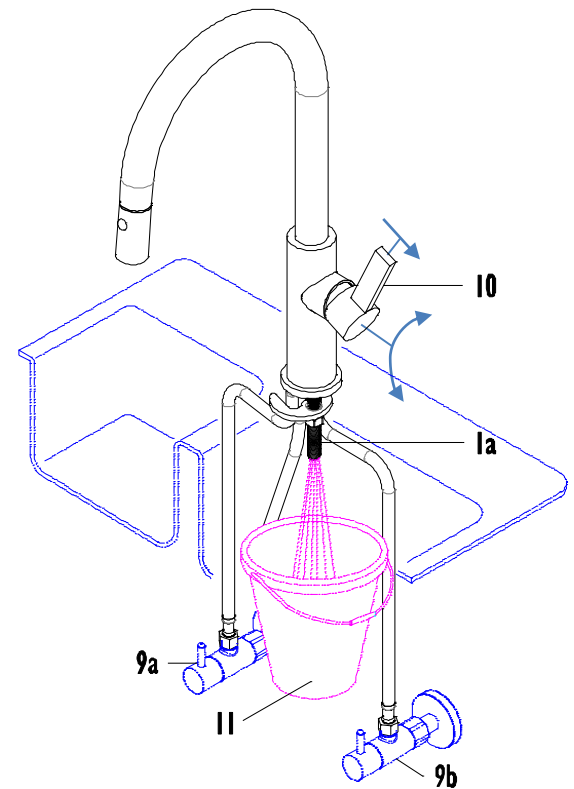
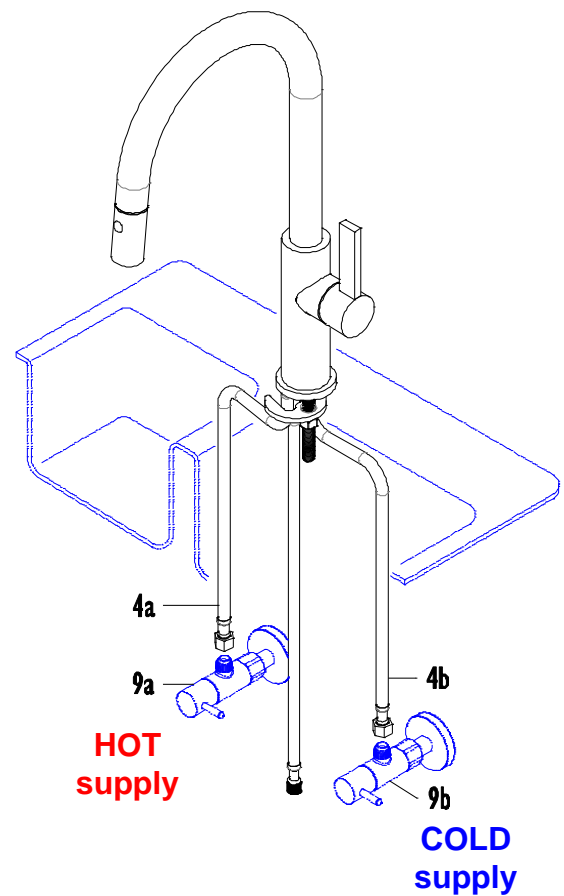
- From topside position BODY (1) with handle on right side as shown and from underside securely tighten NUT (7)



WATER CONNECTIONS

Important: The water supplies MUST be flush of all debris prior to running water through the faucets SPRAYHEAD (8); the following procedure will ensure debris removal.

- Tighten red colored nut on **HOT** INLET HOSE (4a) to **HOT** SUPPLY (9a)
- Tighten blue colored nut on **COLD** INLET HOSE (4b) to **COLD** SUPPLY (9b)
- Ensure that faucet HANDLE (10) is in closed position as shown (straight up)
- Turn on **HOT** and **COLD** SUPPLIES (9a) & (9b)
- Place BUCKET (11) (not supplied) under SHANK (1a)
- Slowly open HANDLE (10) on faucet and cycle through cold and hot water until water runs clear



3

FINAL CONNECTIONS

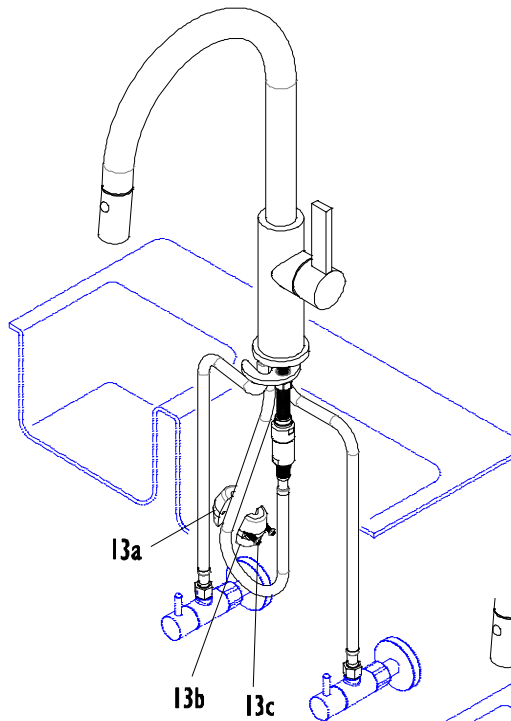
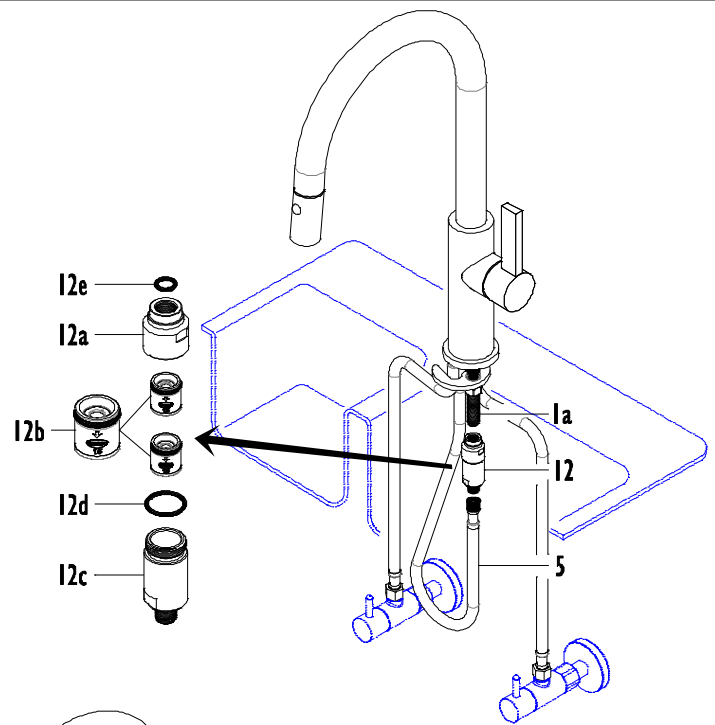
- Tighten CHECK ASSEMBLY (12) onto end of SHANK (1a)
- Attach SPRAY-HOSE (5) onto end of CHECK ASSEMBLY (12)

CHECK ASSEMBLY MAINTENANCE

- Disconnect CHECK ASSEMBLY (12) from SPRAY-HOSE (5) and SHANK (1a)
- Unscrew UPPER HOUSING (12a), remove both CHECK VALVES (12b) by gently pushing through hole in LOWER HOUSING (12c)
- Flush both CHECK VALVES (12b) clean water
- Assemble CHECK VALVES (12b) back into LOWER HOUSING (12c)

Important: Both CHECK VALVES (12b) must be placed into the LOWER HOUSING in the water flow direction as shown (o-ring on the top side) and ensure that plumbers grease is applied to o-ring.

- Apply thin film on plumbers grease to HOUSING O-RING (12d) before assembling UPPER and LOWER HOUSING (12a) & (12c) and securely tighten
- Ensure that UPPER O-RING (12e) is in place before attaching CHECK ASSEMBLY (12) onto SHANK (1a)

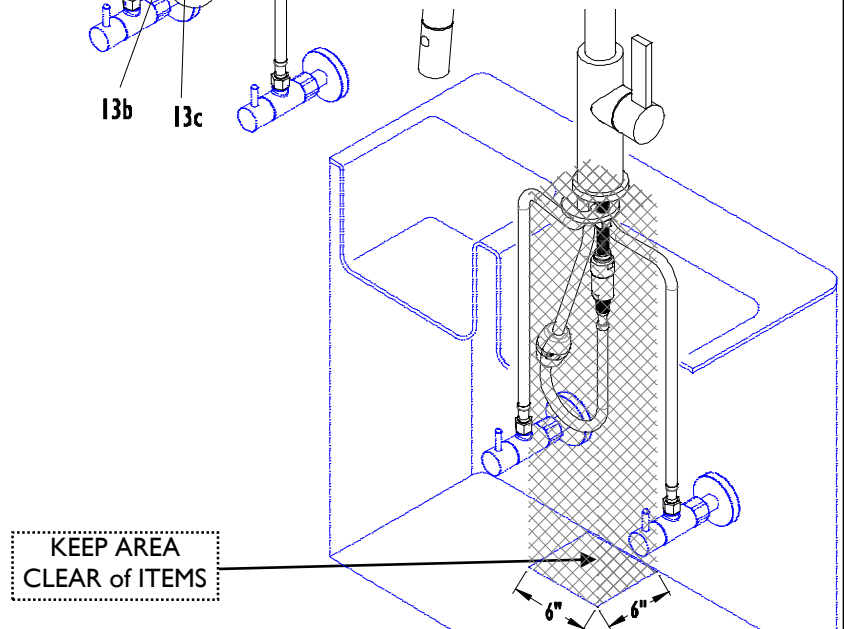


4

WEIGHT ATTACHMENT

Important: The placement of WEIGHT (13) shall be at the lowest portion of the SPRAY-HOSE (5). The area below hose/weight needs to be cleared of all items that may affect movement of hose/weight.

- Separate FEMALE and MALE WEIGHT (13a) & (13b) by loosening SCREWS (13c)
- Place FEMALE WEIGHT (13a) at lowest portion of SPRAY-HOSE (5) just above curve of hose
- Secure MALE WEIGHT (13b) onto SPRAY-HOSE (5) by tightening both SCREWS (13c)



5 MAINTENANCE

SPRAYHEAD

Caution: Place drain strainer or towel in sink drain to prevent parts from falling down the drain.

- Use KEY (14) to remove retaining RING (8a), aerator INSERT (8b) and SPRING (8c)
- Use HEX KEY (15) to remove SPRAY-FACE (8d)
- Rinse all parts with clean water to remove any debris
- Replace all parts in opposite order as described above

CARTRIDGE

Caution: Turn off **HOT** and **COLD** supply stops before proceeding.

- Remove SETSCREW (10a) from HANDLE (10)
- Slide HANDLE (10) off
- Remove BONNET (11), PACKING NUT (12) and slide CARTRIDGE (13) out
- Rinse CARTRIDGE (13) with clean water to remove any debris
- Replace all parts in opposite order as described above

Important: The PACKING NUT (12) must be securely tightened to prevent leaking. The tightening torque shall be 70-90 lbs.-in. If CARTRIDGE (13) is overtightened, CARTRIDGE (13) may not function properly including possible damage to CARTRIDGE (13).

