

FEATURED MODEL

440183 Equal Double, 9-1/2" bowl depths, METALLIC GRAY

ADDITIONAL MODELS

- 440182 Equal Double, 9-1/2" bowl depths, CAFE BROWN
- 440184 Equal Double, 9-1/2" bowl depths, ANTHRACITE
- 440185 Equal Double, 9-1/2" bowl depths, WHITE
- 440186 Equal Double, 9-1/2" bowl depths, BISCUIT
- 440223 Equal Double, 9-1/2" bowl depths, BISCOTTI
- 441286 Equal Double, 9-1/2" bowl depths, TRUFFLE
- 441470 Equal Double, 9-1/2" bowl depths, CINDER

FEATURES

- Required outside cabinet: 36"
- 80% solid granite
- Heat resistant up to 536°F
- Unsurpassed cleanability backed by industry leading 7 patents!
- Resistant to scratches, stains and all household acids and alkali solutions
- Template provided with approximate 1/8" reveal
- Undermount clips included
- Limited lifetime warranty

OPTIONAL ACCESSORIES

Sink Grids: 221008 (left), 221009 (right)

CODE/STANDARDS COMPLIANCE

ANSI Z124.6-97
 IAPMO/UPC listed

WARRANTY

BLANCO'S SILGRANIT II Series sinks feature a LIMITED LIFETIME WARRANTY to be free of all manufacturing defects under normal use. See our complete warranty for details.

While BLANCO endeavors to provide accurate information, all dimensions are nominal, cannot be guaranteed, and are subject to change or cancellation. BLANCO assumes no responsibility for use of superseded or voided specifications.

JOB INFORMATION

Job Name: _____

Contact: _____

Date Specified: _____

Specifier: _____

Contractor: _____

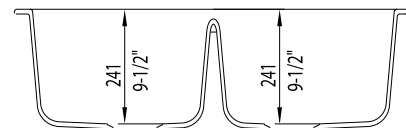
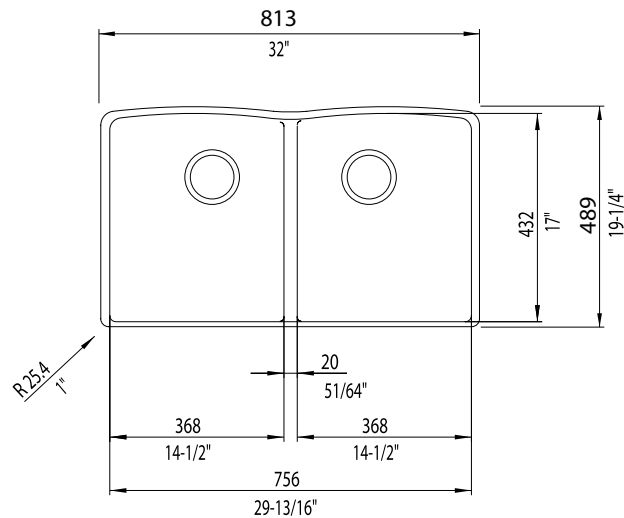


Model 440182 shown

NOMINAL DIMENSIONS

OVERALL	CUTOUT SIZE	BOWL DEPTH	DRAIN DIAMETER
		LEFT	RIGHT
32" x 19-1/4"	Template provided with approximate 1/8" reveal	9-1/2"	9-1/2"
		3-1/2"	

DXF cutout templates available on our website.



BLANCO AMERICA

800.451.5782
 www.blancoamerica.com

© 2013 BLANCO AMERICA
 6/13

SPEC-003