

THIS SPACE FOR DESIGNER/ ENGINEER APPROVAL

Job/Customer _____ Date _____ Contractor _____
 Model Specified _____ Qty _____ Approved By _____
 Designer/Engineer _____ Date _____ Contractor's PO# _____
 Submitted by _____ Date _____ Other _____

6270 Series
PRO-CONNECT™ Push
 Push x Push
 Full Port Forged Brass Ball Valve
 200 WOG - MAX TEMP 200°F

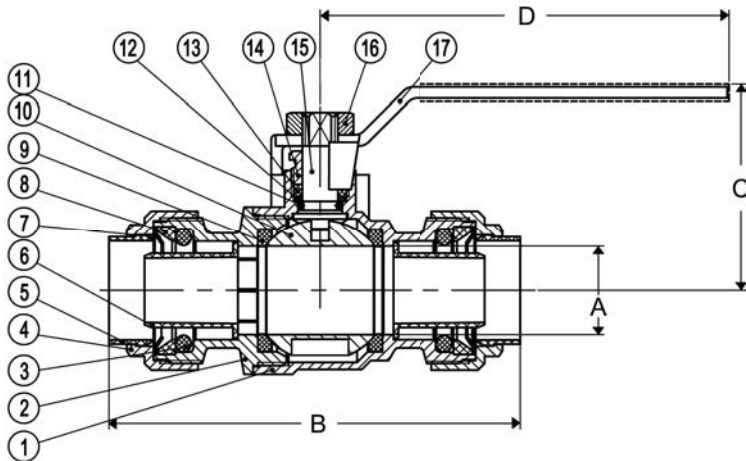


ITEM #	SIZE	P/CARTON	P/CASE	A	B	C	D
62702	1/2"	10	60	9/16	3 3/16	1 11/16	3 5/8
62703	3/4"	10	40	3/4	3 11/16	1 13/16	3 5/8
62704	1"	6	24	1	4 3/8	2 7/16	4 3/16




 C
 Complies w/
 NSF/ANSI 61-8

NO.	DESCRIPTION	MATERIAL
1	BODY	BRASS
2	END CAP	BRASS
3	O-RING	EPDM
4	NUT	BRASS
5	RELEASE COLLAR	POLYOXYMETHYLEN
6	INNER LINING	POLYPHENYLENE SULFINDE
7	GRIP RING	304 STAINLESS STEEL
8	PROTECTOR	POLYOXYMETHYLENE
9	SEAT SEAL	PTFE
10	BALL	BRASS HCP
11	O-RING	EPDM
12	METAL GASKET	BRASS
13	STEM PACKING	PTFE
14	GLAND NUT	BRASS
15	STEM	BRASS
16	LOCK NUT	STEEL ZP
17	HANDLE	STEEL CP



TEMP °F	WOG
100	200
150	200
200	200

Specifications: Designed for residential, commercial or industrial use with water, oil or gas, specifically for use in copper, PEX, and CPVC systems. This valve features a fully removable/replaceable grip assembly, ideal for use in potable water and hydronic heating systems. This approved Webstone Valve is actuated by a blowout proof stem and features an adjustable packing nut.

Webstone Company, Inc.
 www.webstonevalves.com

Quality and Commitment Since 1954

Tel: (800) 225-9529 • Fax (800) 336-5133

Webstone product specifications in U.S. customary units are approximate and are provided for reference only. Webstone reserves the right to change or modify product design, construction, specifications or materials without prior notice and without incurring any obligation to make such changes and modifications on Webstone products previously or subsequently sold.