

THIS SPACE FOR DESIGNER/ ENGINEER APPROVAL

Job/Customer _____ Date _____ Contractor _____
 Model Specified _____ Qty _____ Approved By _____
 Designer/Engineer _____ Date _____ Contractor's PO# _____
 Submitted by _____ Date _____ Other _____

54443PR

Isolator® E-X-P™ E2

Tankless Water Heater Service Valve Kit

Hot & Cold Set Full Port Forged Brass Ball Valves

w/ Hi-Flow Hose Drains & Pressure Relief Valve Outlet

3/4" IPS Union x SWT

500 WOG

Includes Residential Pressure Relief Valve (150 PSI/200,000 BTU)

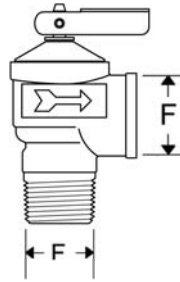


ITEM #	SIZE	P/CARTON	P/CASE	A	B	C	D	E	F	G
54443PR	3/4"	1	10	3/4	4 3/4	1 5/8	2 5/8	2 3/4	3/4	1/2

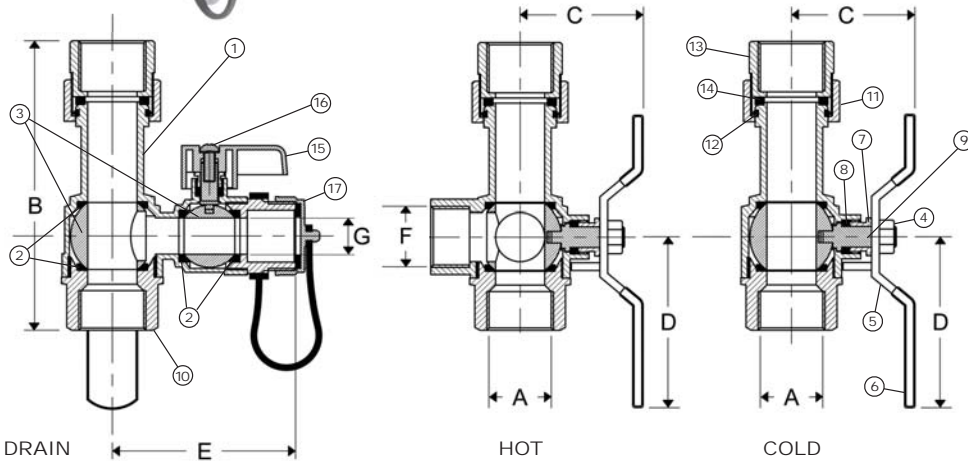


PATENTS PENDING

Complies w/
NSF/ANSI 61-8



NO.	DISCRIPTION	MATERIAL
1	BODY	BRASS
2	SEATS	PTFE
3	BALL	BRASS HCP
4	HANDLE NUT	STEEL CP
5	WING STYLE "T" HANDLE	STEEL CP
6	HANDLE JACKET	VINYL GRIP
7	PACKING GLAND	BRASS
8	STEM SEAL	PTFE
9	STEM	BRASS
10	END CAP	BRASS
11	UNION NUT	BRASS
12	RETAINING RING	STAINLESS STEEL
13	UNION FITTING	BRASS
14	WASHER	EPDM
15	DRAIN VALVE HANDLE	ENAMEL COATED ALUMINUM
16	DRAIN VALVE HANDLE SCREW	BRASS
17	CAP AND STRAP	BRASS W/ EPDM HOSE WASHER



TEMP °F	WOG
100	500
150	408
180	398

Specifications: Designed for residential, commercial or industrial use with water, oil or gas. This approved Webstone Valve is actuated by a blowout proof stem and features an adjustable packing nut. Solder joint temperature ratings are per ASME B16.18 Annex A for 95-5 solder. Other solder materials have lower pressure/temperature limits. Do not silver braze or over heat valves when soldering.

Webstone Company, Inc.
www.webstonevalves.com

Quality and Commitment Since 1954

Tel: (800) 225-9529 • Fax (800) 336-5133

Webstone product specifications in U.S. customary units are approximate and are provided for reference only. Webstone reserves the right to change or modify product design, construction, specifications or materials without prior notice and without incurring any obligation to make such changes and modifications on Webstone products previously or subsequently sold.

54443PRspec_082709