

THIS SPACE FOR DESIGNER/ ENGINEER APPROVAL

Job/Customer _____ Date _____ Contractor _____

Model Specified _____ Qty _____ Approved By _____

Designer/Engineer _____ Date _____ Contractor's PO# _____

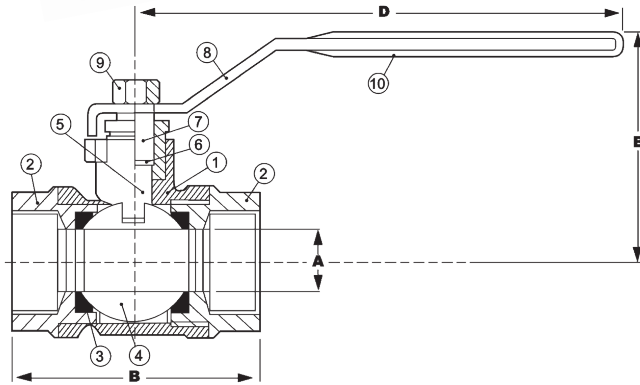
Submitted by _____ Date _____ Other _____

4080 Series FULL PORT NICKEL PLATED FORGED BRASS BALL VALVES W/ STAINLESS STEEL HANDLE IPS 600 WOG / 150 WSP

ITEM #	SIZE	P/CARTON	P/CASE	A	B	C	D	Cv
40800	1/4"	20	120	1/4	1 13/16	1 3/4	3 5/8	7.7
40801	3/8"	20	120	3/8	1 11/16	1 15/16	3 3/4	7.9
40802	1/2"	20	120	1/2	2 1/8	1 15/16	3 1/2	10.8
40803	3/4"	14	84	3/4	2 3/8	2 1/4	3 3/4	27.0
40804	1"	8	48	1	2 3/4	2 5/8	4 13/16	49.3
40805	1 1/4"	6	36	1 1/4	3 1/4	2 13/16	4 9/16	114.0
40806	1 1/2"	4	24	1 1/2	3 15/16	3 5/16	5 15/16	161.3
40807	2"	2	16	2	4 1/4	3 1/2	5 15/16	248.6



NO.	DESCRIPTION	MATERIAL
1	BODY	NICKEL PLATED BRASS
2	END CAP	NICKEL PLATED BRASS
3	SEAT	PTFE
4	BALL	BRASS HCP
5	STEM	BRASS
6	STEM SEAL	PTFE
7	PACKING GLAND	BRASS
8	HANDLE	STAINLESS STEEL
9	HANDLE NUT	STAINLESS STEEL
10	HANDLE JACKET	VINYL



TEMP °F	WOG
100	600
150	490
200	470
250	439
300	411
350	294
366	N/A

Specifications: Designed for residential, commercial or industrial use with water, oil or gas. This approved Webstone Valve is actuated by a blowout proof stem and features an adjustable packing nut. The nickel plate on the body will keep the finish bright. Stainless steel handle and nut for resistance to corrosion. Threaded ends comply with ANSI B1.20.1

Webstone Company, Inc.
www.webstonevalves.com

Quality and Commitment Since 1954

Tel: (800) 225-9529 • Fax (800) 336-5133

Webstone product specifications in U.S. customary units are approximate and are provided for reference only. Webstone reserves the right to change or modify product design, construction, specifications or materials without prior notice and without incurring any obligation to make such changes and modifications on Webstone products previously or subsequently sold.

4080spec_101909