



26790 Madison Ave.
Murrieta, CA 92562
1-888-000-0000
www.waterstoneco.com

ITEM NO:

5500

STYLE:

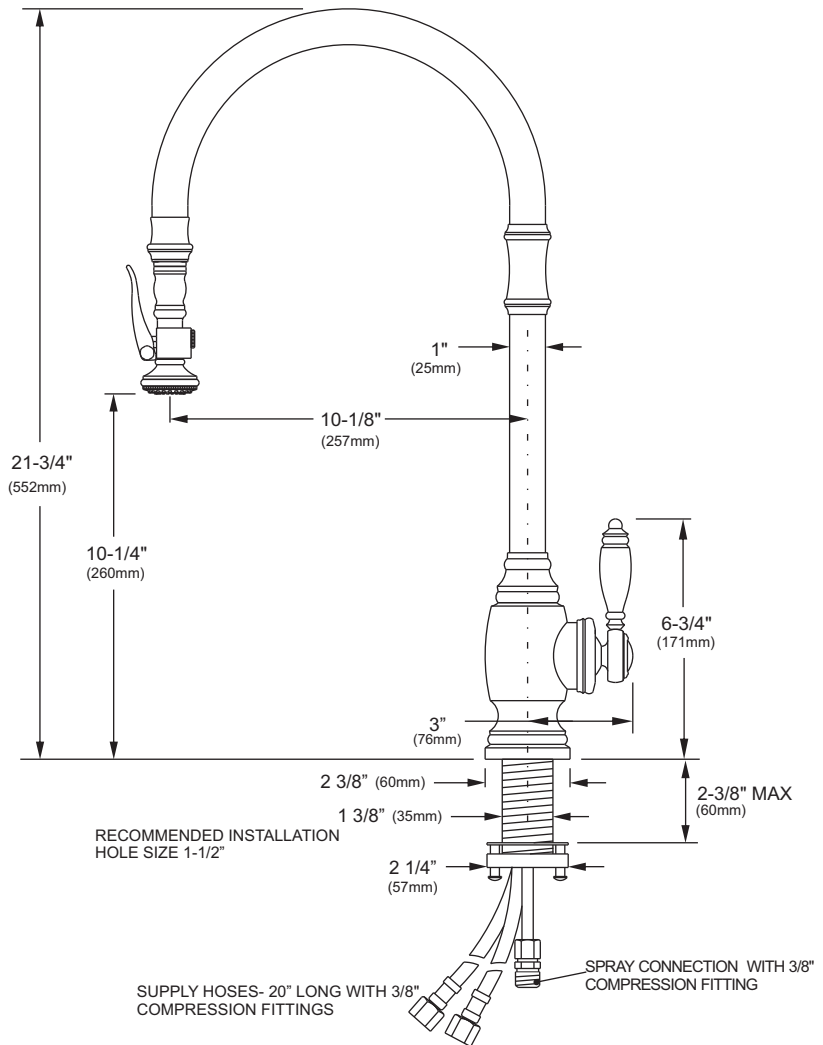
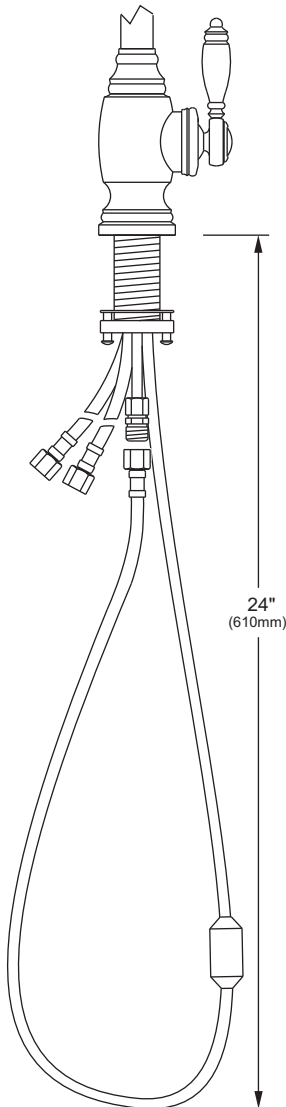
TRADITIONAL

INTENDED USE: KITCHEN FAUCET /
PULL DOWN

CUSTOMER NAME:

JOB NO:

DIMENSIONS MAY VARY AND ARE SUBJECT TO CHANGE. NO RESPONSIBILITY IS ASSUMED FOR USE OF SUPERCEDED OR VOIDED DATA.



Technical Specifications:

- Unique "PLP" positive lock holds spray head in place.
- Pre-positioned "Easy Pull" counterbalanced weight.
- Spray head extends 18" from spout.
- Lever selects spray from aerated stream.
- 1.75 gpm maximum flow rate with stream selected.
- Solid brass construction.
- Single lever control hot/cold ceramic disk valve cartridge.
- 3 handle caps included. Plain, and ceramic right hand or left hand operation indicated for hot and cold.
- Handle adjusts for clearance from backsplash.
- Braided connection hoses.
- Adjustable Teflon® "Friction Lock" aids handle feel and prevents sag.
- 360 degree swivel spout.
- Compatible with Reverse Osmosis.

Codes/Standards Applicable

Specified model meets or exceeds the following:

- ASME A112.18.1
- CSA B125.1
- NSF 61
- AB1953
- CALGreen

DATE: 11-28-11



Made in the U.S.A.