

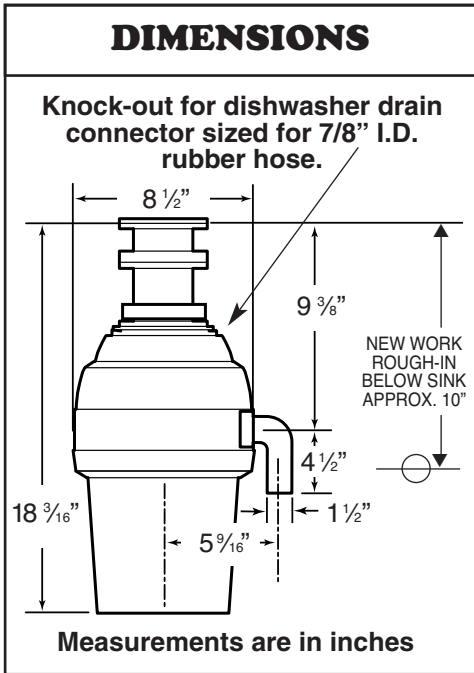


SUBMITTAL SHEET
MODEL 800TC • 1 H.P.
BATCHFEED DISPOSER

- Batch feed operation...No wall switch!
- High-speed 2800 r.p.m. permanent magnet motor produces more power per pound.
- Stainless steel, rust free grinding components.
- Fast and easy mount system provides a no hassle installation.
- Power cord included.
- Sound insulated for quiet operation.
- Safe for properly sized septic tanks.
- Longest warranties in the industry demonstrates commitment to quality.



Ten Year In-Home Service Warranty
 (see below).



SPECIFICATIONS

Motor Horsepower	1 H.P.
Motor Speed R.P.M.	2800
Voltage	115
Hz	60
Current-Amps	7.0
Motor Type	Permanent Magnet
Power Cord	Attached
Sink Flange	Stainless Steel & Celcon
Stopper/Actuator	3 Position
Waste Elbow	ABS
Feed	Batch Loading
Grind Ring	Stainless Steel
Swivel Impellers	Cast Stainless Steel
Turntable	Stainless Steel
Hopper	Glass Filled Nylon
Grinding Chamber	Corrosion Proof Glass Filled Polyester
Bearings	Permanently Lubricated; Sleeve Type
Overload Protector	Manual Reset Type
Sound Shell	Yes-Full
Shipping Weight (lbs.)	16.302
Pallet Quantity	100

Waste King® Warranty

Any Waste King Legend® Model 8000TC less than 10 years old that develops a material or mechanical defect will be replaced, in your home free of charge .

Due to continued product improvement, system configurations and specifications may change without notice.



4240 E. La Palma Avenue
Anaheim, California 92807
(800) 854-3229