



SUBMITTAL SHEET

9950 • 3/4 H.P.
PROFESSIONAL 3-BOLT MOUNT SYSTEM

- High-speed 2700 r.p.m. permanent magnet motor produces more power per pound.
- Stainless steel, rust free grinding components.
- Sound insulated for quiet operation.
- Longest warranties in the industry demonstrates commitment to quality.
- Safe for properly sized septic tanks.

SEPTIC SAFE

**IN-HOME
10 YEAR
WARRANTY**

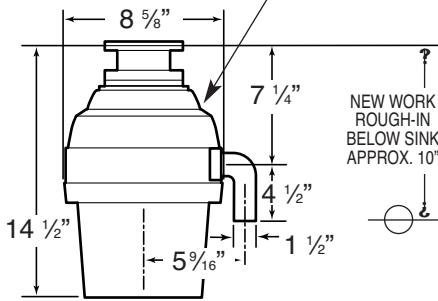


10 Year In-Home Service and LIFETIME Corrosion Warranty (see below)



DIMENSIONS

Knock-out for dishwasher drain connector sized for 7/8" I.D. rubber hose.



Measurements are in inches

WARRANTY

Any Model 9950 less than 10 years old that develops a material or mechanical defect will be replaced in your home free of charge.

LIFETIME WARRANTY AGAINST CORROSION

Any Model 9950 that fails to operate because of corrosion will be repaired or replaced free of charge to the original purchaser. Labor not included.

SPECIFICATIONS

Motor Horsepower	3/4 H.P.
Motor Speed R.P.M.	2700
Voltage	115
Hz	60
Current-Amps	6.0
Motor Type	Permanent Magnet
Stopper	Positive Seal
Sink Flange	Stainless Steel
Splash Guard	Not Removable
Waste Elbow	ABS
Feed	Continuous
Grind Ring	Stainless Steel
Swivel Impellers	Cast Stainless Steel
Turntable	Stainless Steel
Hopper	Glass Filled Nylon
Grinding Chamber	Corrosion Proof Glass Filled Polyester
Bearings	Permanently Lubricated; Sleeve Type
Overload Protector	Manual Reset Type
Sound Shell	Yes-Full
Shipping Weight (lbs.)	13.36
Pallet Quantity	100

* 36" power cord is included.

Due to continued product improvement, specifications may change without notice.

Anaheim Manufacturing

4240 E. La Palma Avenue • Anaheim, California 92807
(800) 854-3229
www.wasteking.com