



## VIGO INDUSTRIES INSTALLATION GUIDE FOR SHOWER ENCLOSURE (MODEL VG06021)

### **SAFETY PRECAUTIONS**

This Installation Guide uses the following symbols to indicate important information. Always observe the instructions indicated by these symbols.

### **WARNING**

Instructions that, if ignored, could result in death or serious personal injury caused by incorrect handling or installation of the product. These instructions must be observed for safe installation.

### **CAUTION**

The instructions for the following unit is based off of the Vigo brand shower base. The instructions can not be provided for any other installation other than that of the Vigo brand. The warranty will be voided if the following was not performed properly.

### **IMPORTANT**

Maintenance and other important non-personal injury and non-material damage instructions or statements that should be observed.

It is highly advised to dry fit the unit prior to any installation.

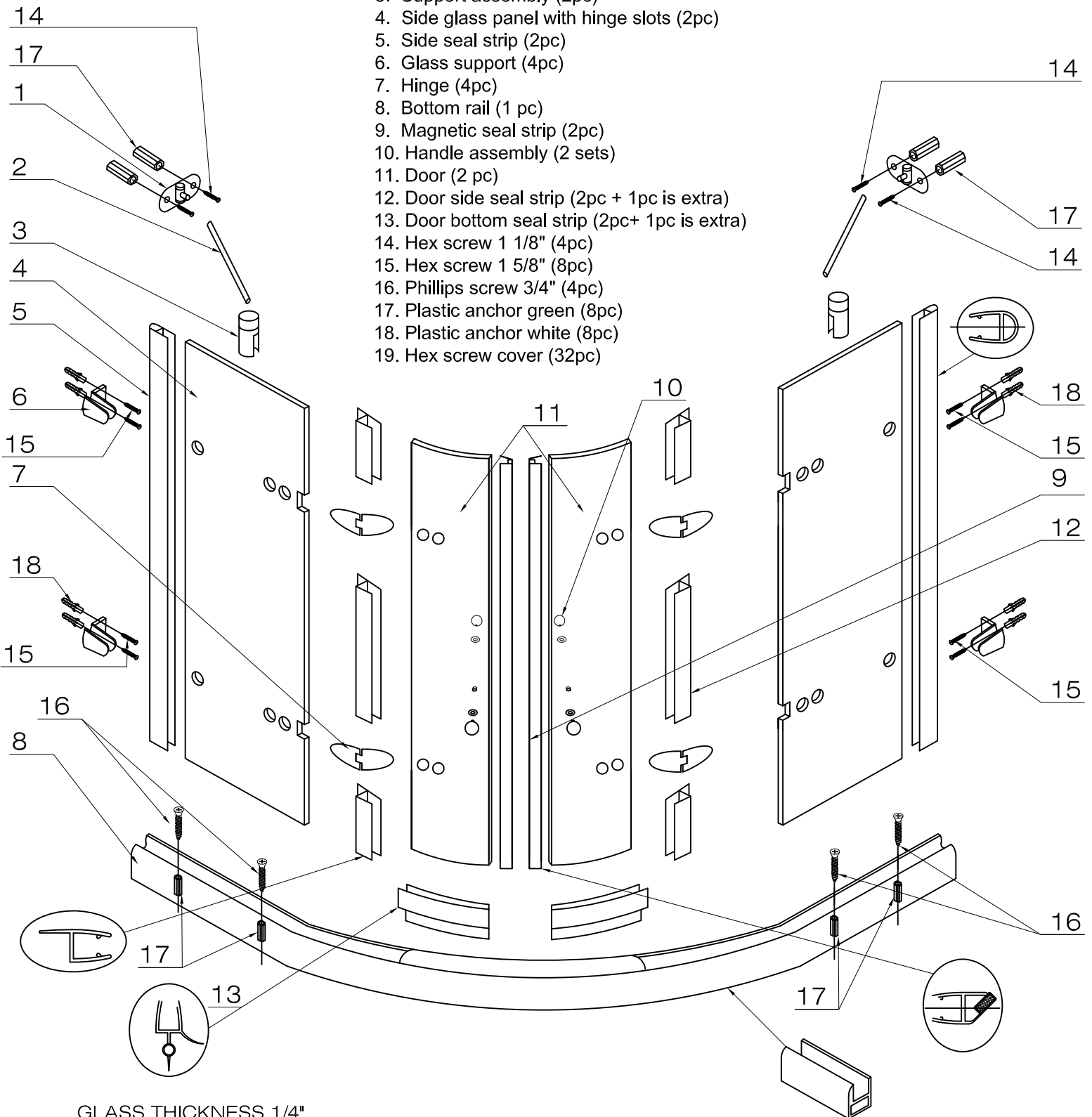
# INSTALLATION INSTRUCTIONS FOR STANDING SHOWER CABIN

## OWNER'S MANUAL

PLEASE READ INSTRUCTIONS BEFORE PROCEEDING

### Packing List

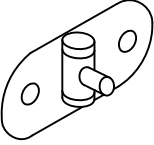

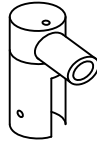
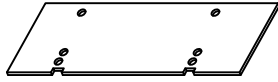
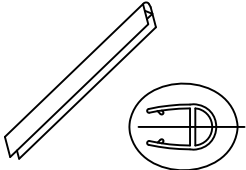
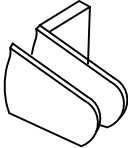
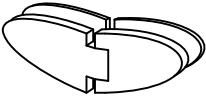
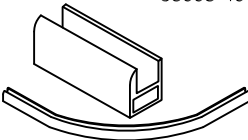
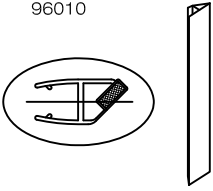
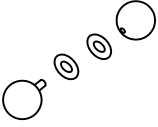
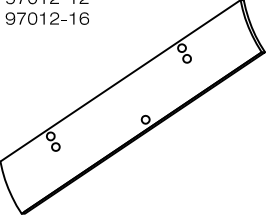
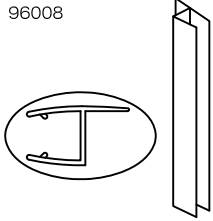
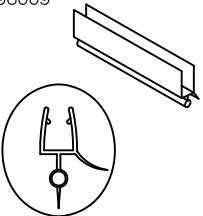



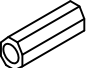

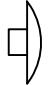
1. Wall connector (2pc)
2. Structural arm (2pc)
3. Support assembly (2pc)
4. Side glass panel with hinge slots (2pc)
5. Side seal strip (2pc)
6. Glass support (4pc)
7. Hinge (4pc)
8. Bottom rail (1 pc)
9. Magnetic seal strip (2pc)
10. Handle assembly (2 sets)
11. Door (2 pc)
12. Door side seal strip (2pc + 1pc is extra)
13. Door bottom seal strip (2pc+ 1pc is extra)
14. Hex screw 1 1/8" (4pc)
15. Hex screw 1 5/8" (8pc)
16. Phillips screw 3/4" (4pc)
17. Plastic anchor green (8pc)
18. Plastic anchor white (8pc)
19. Hex screw cover (32pc)



GLASS THICKNESS 1/4"

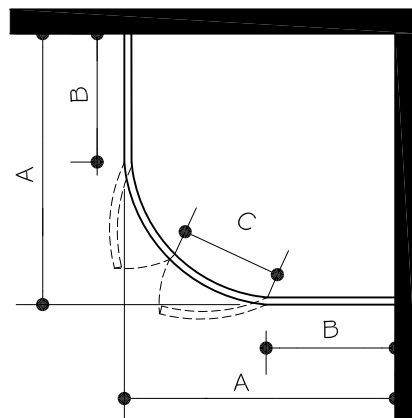
NOTE: INSTALLATION MUST BE DONE BY A QUALIFIED, LICENSED PLUMBER.

**MODEL VG06021**

<p>1. WALL CONNECTOR 98001</p> 	<p>2. STRUCTURAL ARM 98002-36 98002-40</p> 	<p>3. SUPPORT ASSEMBLY 98003</p> 	<p>4. SIDE GLASS PANEL 97011-36 97011-40</p> 	<p>5. SIDE SEAL STRIP 96007</p> 
<p>6. GLASS SUPPORT 98004</p> 	<p>7. HINGE 98005</p> 	<p>8. BOTTOM RAIL 95003-36 95003-40</p> 	<p>9. MAGNETIC SEAL STRIP 96010</p> 	<p>10. DOOR HANDLE 98014</p> 
<p>11. DOOR. 97012-12 97012-16</p> 	<p>12. DOOR SIDE SEAL STRIP 96008</p> 	<p>13. DOOR BOTTOM SEAL STRIP 96009</p> 	<p>14. HEX SCREW 1 1/8" 96035</p> 	<p>15. HEX SCREW 1 5/8" 96039</p> 
<p>16. PHILLIPS SCREW 3/4" 96033</p> 	<p>17. PLASTIC ANCHOR 96037</p> 	<p>18. PLASTIC ANCHOR 96038</p> 	<p>19. HEX SCREW COVER 96040</p> 	

MODEL	DIMENSION "A"	DIMENSION "B"	DIMENSION "C"	HEIGHT*
36x36	34 1/8***	12 3/4"	15 7/8"	73 1/3"
40x40	38 1/8***	16 3/4"	15 7/8"	73 1/3"

\* - WITH HARDWARE AND WITHOUT SHOWER BASE  
 \*\* - EXTERIOR SIZES  
 DIMENSION "A" WAS MEASURED AFTER SHOWER ENCLOSURE WAS COMPLETELY INSTALLED



**⚠ WARNING**

**WE STRONGLY RECOMMEND THAT A LICENSED PROFESSIONAL INSTALL THIS SHOWER CABIN AND INCLUDE THE ASSISTANCE OF A SECOND PERSON TO INSTALL THE DOOR UNIT.**  
INSTALLATION OF THE SHOWER DOORS BY AN INEXPERIENCED PERSON MAY RESULT IN GLASS BREAKAGE AND, CONSEQUENTLY, CAUSE PERSONAL INJURY OR DEATH.

**BEFORE STARTING**

Compare items on your invoice with what you have received. Carefully review the Packing List on page 2. If any items are missing contact Vigo Industries at 1-866-591-7792.

**REQUIRED TOOLS**

- Square and/or Phillips #1 and #2 screwdriver
- Flat head screwdriver
- Electric drill plus 1/8", 3/16", or 7/32" drill bit (depending on wall)
- Level
- Measuring tape
- Pencil (non-permanent; HB)
- Clear silicone caulking
- Utility knife

**⚠ WARNING**

- Handle fragile items with care to prevent injury or material damage.
- Glass on panels and doors is tempered glass and must never be cut to prevent personal injury.

**⊘ IMPORTANT**

- Fiberglass or acrylic construction might not be sufficiently strong enough to support the shower door enclosure. You should use the wood framing from behind the face edge of the stall to provide a secure mounting to the door. Apply a bead of silicone between the walls and base of the stall.
- For optimum performance, you should install the shower door perfectly level on a level surface.

**IMPORTANT:**

**THE TEXTURED SIDE OF THE MATTE GLASS UNIT SHOULD ALWAYS BE INSTALLED ON THE OUTSIDE OF THE UNIT. (SEE CONFIGURATION DIAGRAM BELOW)**

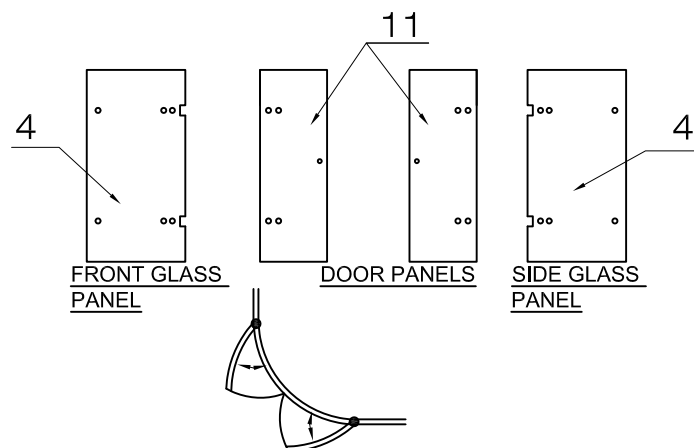


FIG. 1A GLASS CONFIGURATION DIAGRAM

## PREPARATION STEPS TO FOLLOW BEFORE INSTALLATION

1. Remove the plastic layer from the base border (if needed). Do NOT remove the plastic layer off the plastic platform of the base.
2. Properly apply silicone to the wall and base joints.

### ⊘ IMPORTANT

- To prevent damage to the finish, you should protect the shower cabin bottom with a cardboard protector before beginning the installation.
- Ensure that there is sufficient structural support behind the shower wall to hold the weight of the shower door. If there is insufficient enough support, then reinforce the shower walls with wooden studs prior to shower door installation. [SEE FIG.1]

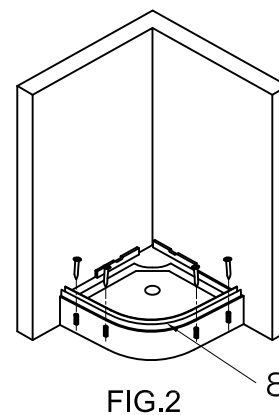
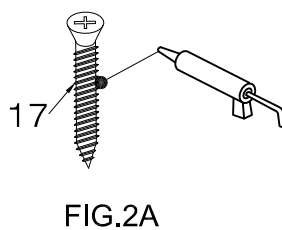
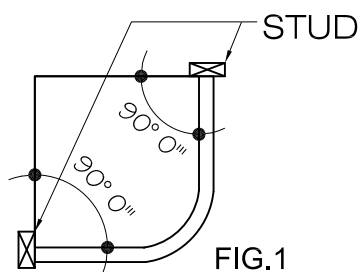
## INSTALLATION STEPS

### A. INSTALLING THE BOTTOM RAIL

#### ⚠ CAUTION

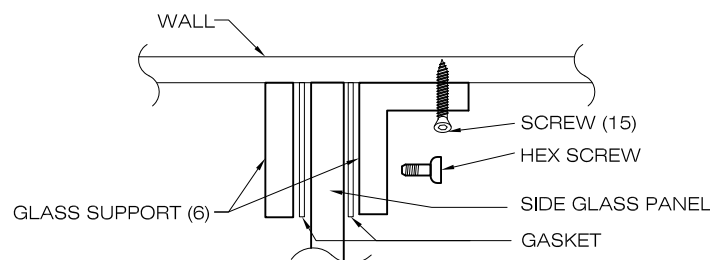
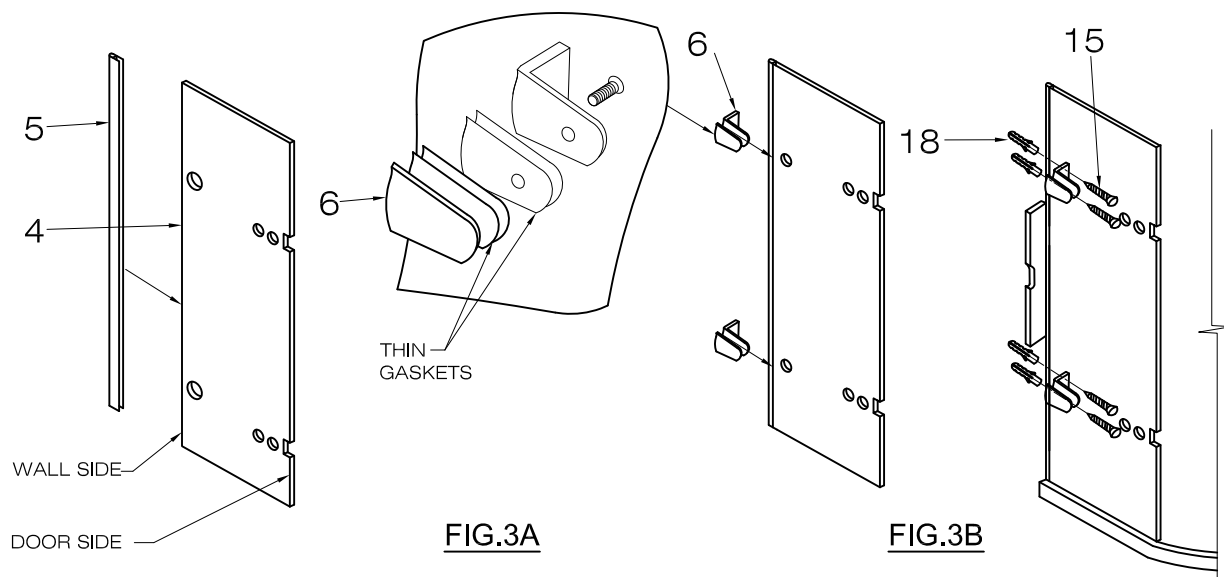
TO ALLEVIATE WATER BUILD UP IN THE TOP PORTION OF THE RAIL, IT IS RECOMMENDED TO DRILL SMALL HOLES ON THE TOP INSIDE PORTION.

1. Place the bottom rail (#8) to the desired position on the shower base and center its sides on the base.
2. Use a level to check the horizontal position of the rail. See page 3 for recommended A and B distances. Verify that the A and B distances are correct.
3. Seal the underside of the bottom rail with clear silicone. Center the rail sides to the base according to the A and B measurements.
4. Apply silicone to 3/4" screw (#16) threads. [SEE FIG.2A]
5. Screw the bottom rail securely to the base with 3/4" screws. [SEE FIG.2]
6. Clip the aluminum cover to the front piece of the bottom rail.



## B. INSTALLING SIDE GLASS PANEL

1. Arrange glass to the preferred configuration. [SEE FIG.1A]
2. Install the seal strip (#5) to the wall side of the front glass panel (#4). [SEE FIG.3A]
3. Screw in the glass support (#6) with the hex key to the side glass panel. Be sure to use washers on both sides of the panel.
4. Place the side glass panel onto the bottom rail (#8). Use the level to position the side glass panel correctly.
5. Mark holes on the wall for the mounting screws.
6. Remove the side glass panel and drill holes into the wall. Insert the plastic anchors (#18) into the holes.
7. Replace the front glass panel. Screw into the wall with 1 5/8" screws (#15). [SEE FIG.4]
8. Repeat steps 1 through 7 for the other side glass panel. [SEE FIG.3B]



VIEW FROM THE TOP

**FIG.4**

### C. INSTALLING THE HANDLE

1. Assemble the door handles (#10) to the door (#11) as shown. [SEE FIG.5]
2. Repeat previous steps to install the door handle on the other door.

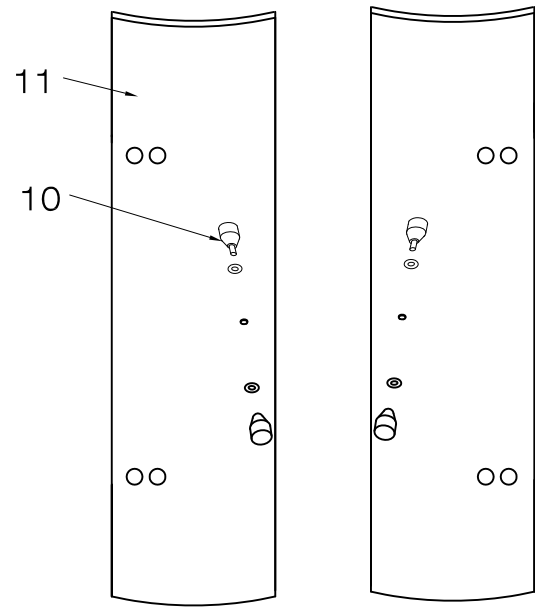


FIG.5

### D. INSTALLING THE HINGE

1. Clean the glass surfaces where the hinges (#7) are to be installed with rubbing alcohol.
2. Screw the hinge to the side glass panel (#4) with a washer on each side of the panel. [SEE FIG.6]

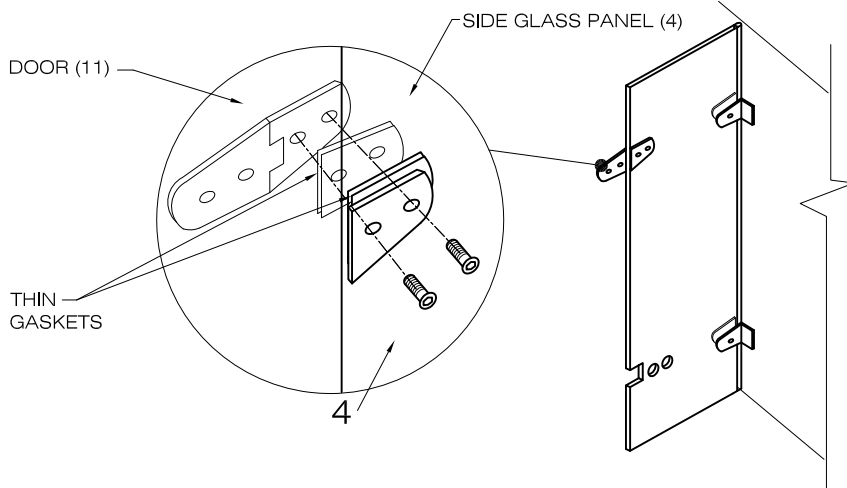
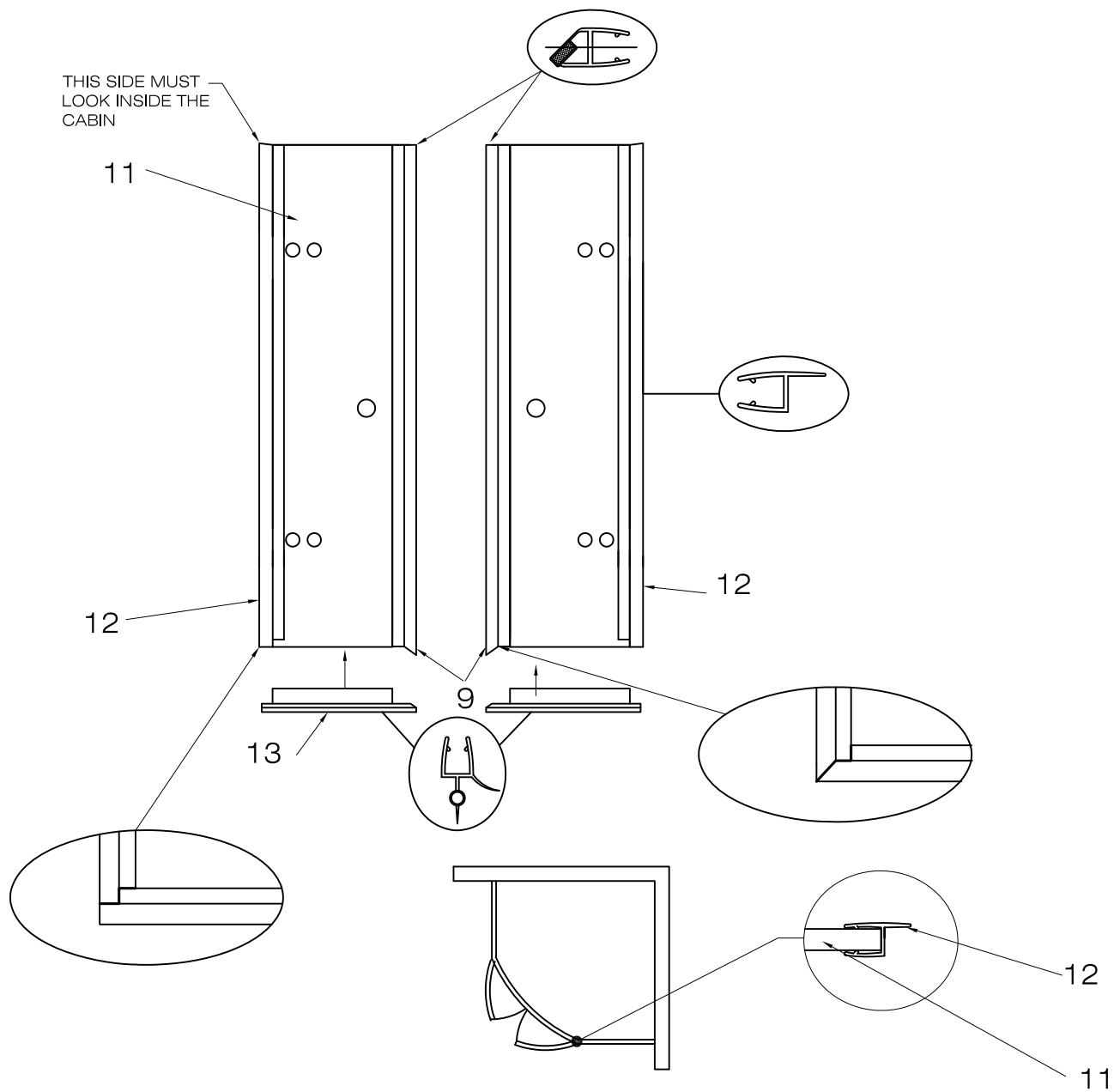


FIG.6 VIEW FROM INSIDE

### E. INSTALLING THE WATER SEAL STRIP

1. Clean all glass panel edges receiving seal strips with rubbing alcohol. [SEE FIG.7]
2. Install the door magnetic strip (#9) to the edges of both doors.
3. Open the door and apply the seal strips (#12) to the door panel edges.
4. Install the door bottom seal strips (#13).
5. Verify that the lip from the door side seal strips and the door bottom seal strips face toward the inside of the shower cabin. [SEE FIG.7]



**FIG.7** SEAL STRIP INSTALLATION

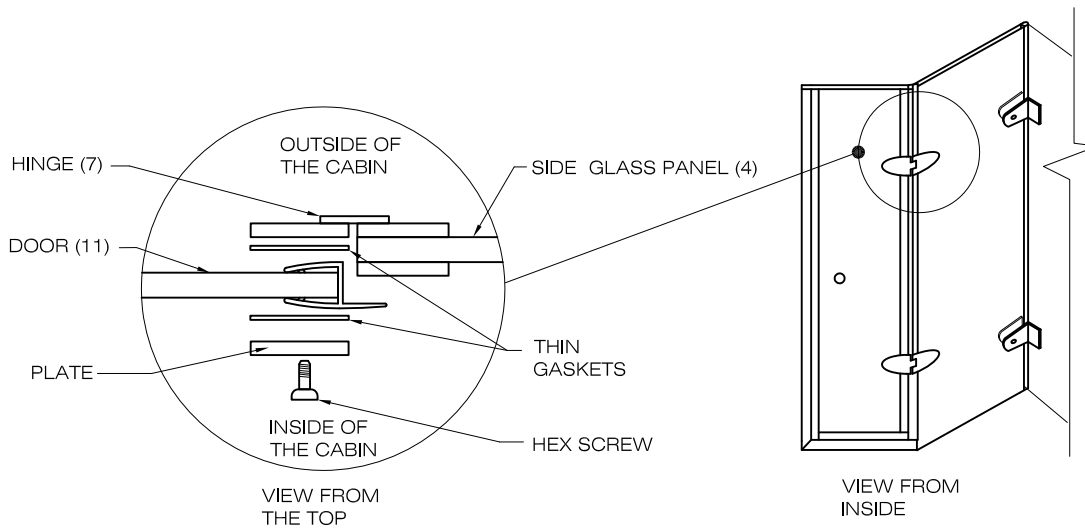
**⚠ WARNING**

DOOR PANEL INSTALLATION REQUIRES TWO OR MORE PEOPLE TO ASSIST

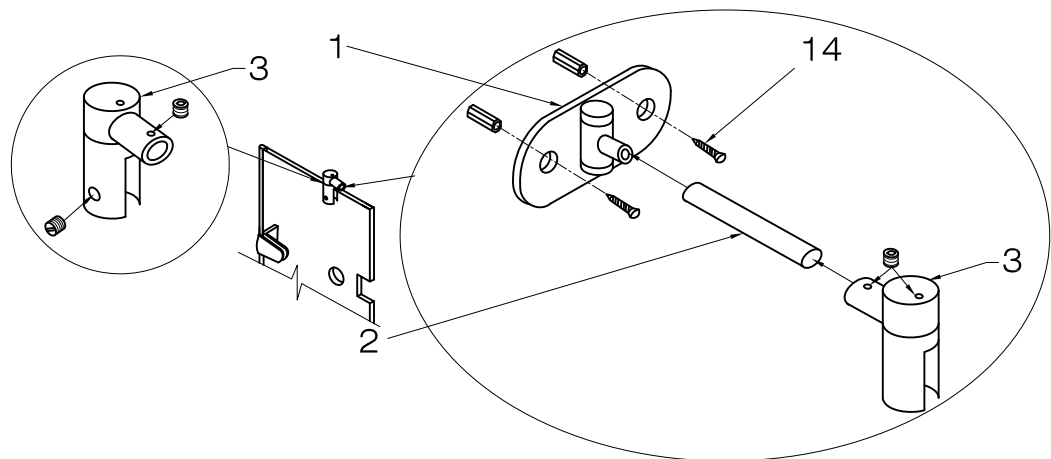
**F. INSTALLING THE DOOR**

1. Clean the glass surface where the hinges (#7) are to be installed with rubbing alcohol.
2. Position the door onto the hinges.
3. Place thin gasket on each side of the door between the glass and hinge while keeping the door in position. [SEE FIG.8]
4. Install the hinges using the hex key (supplied) on the hinges.
5. Repeat Steps 1 through 4 to attach the other hinge to the same door.
6. Repeat Steps 1 through 5 to attach the hinges to the other door.





**FIG.8**



**FIG.9**

### **G. INSTALLING THE SIDE PANEL SUPPORT**

1. Install the support assembly (#3) approximately two-thirds from the wall. Tighten the hex screws with the hex key. [SEE FIG.9]
2. Install the structural arm (#2) and the wall connector (#1) to the support assembly.
3. Mark holes on the wall for the mounting screws.
4. Move the wall connector aside. Drill holes into the wall and place plastic anchors (#17) into the hole.
5. Move wall connector back into place. Screw into wall with 1 1/8" screws (#14).
6. Tighten all hex screws.

## H. APPLYING THE SILICONE

1. Apply clear silicone caulking to the inside between the wall and side seal strip. Repeat for the other side. [SEE FIG.10]
2. Apply clear silicone caulking to the inside between the side panel bottom and the bottom rail.
3. Apply clear silicone caulking around the inside perimeter of the bottom rail.

## I. INSTALLING HEX SCREW COVERS

1. Install hex screw covers (#19) to the hex screws that mount the hinges, wall connectors, and glass supports.

### IMPORTANT

- WAIT 24 HOURS BEFORE USING SHOWER
- DO NOT ALLOW WATER TO DIRECTLY HIT DOOR SEAL STRIPS

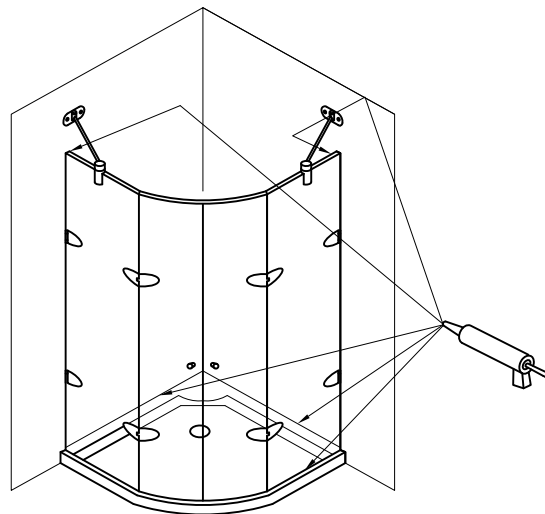


FIG. 10

## CLEANING INSTRUCTIONS FOR THE SHOWER CABIN AND DOOR PANEL

- A. Use mild liquid household cleaners to keep metal surface bright and clean. Rinse well and dry with a clean cloth.
- B. Remove dust with a soft, damp cloth.
- C. Use rubbing alcohol to clean and remove grease, oil, paint, and ink.
- D. Accidental scratches or stains will rarely show. If they do show, they can be easily removed with a liquid automobile polish.

### **IMPORTANT**

- Do NOT use abrasive cleaners, scrapers, metal brushes, or any items/products that would scratch and/or dull surface.
- Do NOT allow surface to come into contact with acetone (nail polish remover), dry cleaning solution, lacquer thinner, gasoline, or any other similar product.

VIGO INDUSTRIES, LLC ("VIGO")  
SHOWER ENCLOSURE LIMITED LIFETIME WARRANTY

EFFECTIVE JANUARY 1, 2010

VIGO offers the following limited warranty on each of its Shower Enclosure products\* (the "Product") and the components thereof. This warranty extends only to the original owner or end-user for personal household use. For commercial uses, additional limitations apply.

VIGO warrants the structural glass component of the Product to be free from defects in workmanship and materials under normal use and service for the period commencing from the initial date of purchase by the owner or end-user, contractor, or builder, from VIGO or an authorized VIGO dealer, through the lifetime of the original owner or end-user.

VIGO warrants the hardware components of the Product to be free from defects in workmanship and materials under normal use and service for a period of two (2) years from the initial date of purchase by the owner or end-user, contractor, or builder, from VIGO or an authorized VIGO dealer.

VIGO warrants the seal strip components of the Product to be free from defects in workmanship and materials under normal use and service for a period of one (1) year from the initial date of purchase by the owner or end-user, contractor, or builder, from VIGO or an authorized VIGO dealer.

Subject to the Warranty Service provision below, any product reported to the authorized dealer or to VIGO as being defective within the warranty period will be repaired or replaced (with a product of equal value) at the option of VIGO. This warranty extends to the original owner or end-user and is not transferable to a subsequent owner.

Neither the distributor, authorized VIGO dealer, nor any other person has been authorized to make any affirmation, representation, or warranty other than those contained in this warranty. Any affirmation, representation, or warranty other than those contained in this warranty shall not be enforceable against VIGO or any other person.

VIGO reserves the right to modify this warranty at any time, it being understood that such modifications will not alter the warranty conditions applicable at the time of sale of the products in question.

#### Limitations

This warranty shall not apply to instances of incorrect operating procedures, breakages, or damages caused by fault through improper installation, carelessness, abuse, misuse, misapplication, improper maintenance, or alteration of the Product, as well as chemical or natural corrosion, accident, fire, flood, an act of God, or any other casualty. Avoid abrasive cleaners, steel wools, and harsh chemicals as these will scratch, damage, and / or dull the product and / or finish and void this warranty. The owner/end-user of the Product covered by the present warranty is entirely responsible for its proper installation and any applicable plumbing or electrical wiring. VIGO neither installs nor supervises the installation nor hires a contractor for this purpose; consequently, VIGO cannot be held responsible for any default, breakage, or damages caused thereby or resulting thereof, either directly or indirectly.

The owner/end-user must provide access to the components of the Product as described in the installation guide so that VIGO can execute the warranty specified herein. If such access is not available, all expenses to provide said access will be the responsibility of the owner/end-user.

This warranty does not apply to Products that have not been installed or operated in accordance with instructions supplied by VIGO and all applicable rules, regulations, and legislation pertaining to such installations.

This warranty does not apply unless the VIGO Product is installed by fully insured licensed professionals. VIGO strongly recommends that such licensed professionals have experience in the installation of bathroom and kitchen products. Installation of certain products, including, without limitation, glass products (i.e., shower doors and glass sinks) by an inexperienced person may result in glass breakage and, consequently, cause personal injury or death.

VIGO is not liable for personal injuries or deaths to any persons or for any direct, special, incidental, or consequential damage, loss of time, loss of profits, inconvenience, incidental expenses, labor or material charges, or any other costs resulting from the use of the product or equipment or pertaining to the application of the present warranty, or resulting from the removal or replacement of any product or element or part covered by this warranty.

EXCEPT AS OTHERWISE PROVIDED ABOVE, VIGO MAKES NO WARRANTIES, EXPRESSED OR IMPLIED, INCLUDING WARRANTIES OF MERCHANTABILITY AND FITNESS FOR A PARTICULAR PURPOSE OR COMPLIANCE WITH ANY CODE.

In any case, VIGO cannot be held liable for any amount over and above the purchase price paid for the Product by the owner/end-user, contractor, or builder.

#### Commercial Limitations

In addition to the above conditions and limitations, the warranty period for products installed for commercial applications or used in commercial ventures is one (1) year from the initial date of purchase by the owner/end-user, contractor, or builder from an authorized dealer. VIGO is not responsible for loss of use or profit under any circumstances. If the product is used as a display, the warranty period begins when the product is placed on display. This warranty gives the owner/end-user specific legal rights. The owner/end-user may also have other rights which can vary from one state or province to another.

#### Warranty Service

In order to obtain service provided under this warranty during regular business hours, contact the dealer or distributor who sold the unit, or contact VIGO directly. VIGO will provide the warranty service described above when the following conditions have been met: the failure is of the nature or type covered by the warranty; the user has informed an authorized VIGO Agent or VIGO's warranty service department representative of the nature of the problem during the warranty period; conclusive evidence (e.g., proof of purchase or installation) is provided to the foregoing by the user proving that the failure occurred or was discovered within the warranty period; an authorized independent service person or company representative has been permitted to inspect the product during regular business hours within a reasonable time after the problem was reported by the user. VIGO's warranty obligation shall be discharged upon tender of replacement or repair. The customer's refusal to accept the tender terminates VIGO's warranty obligations.

\*Certain models are pending approval.

Certification may be ended by VIGO or certification agencies without notice.