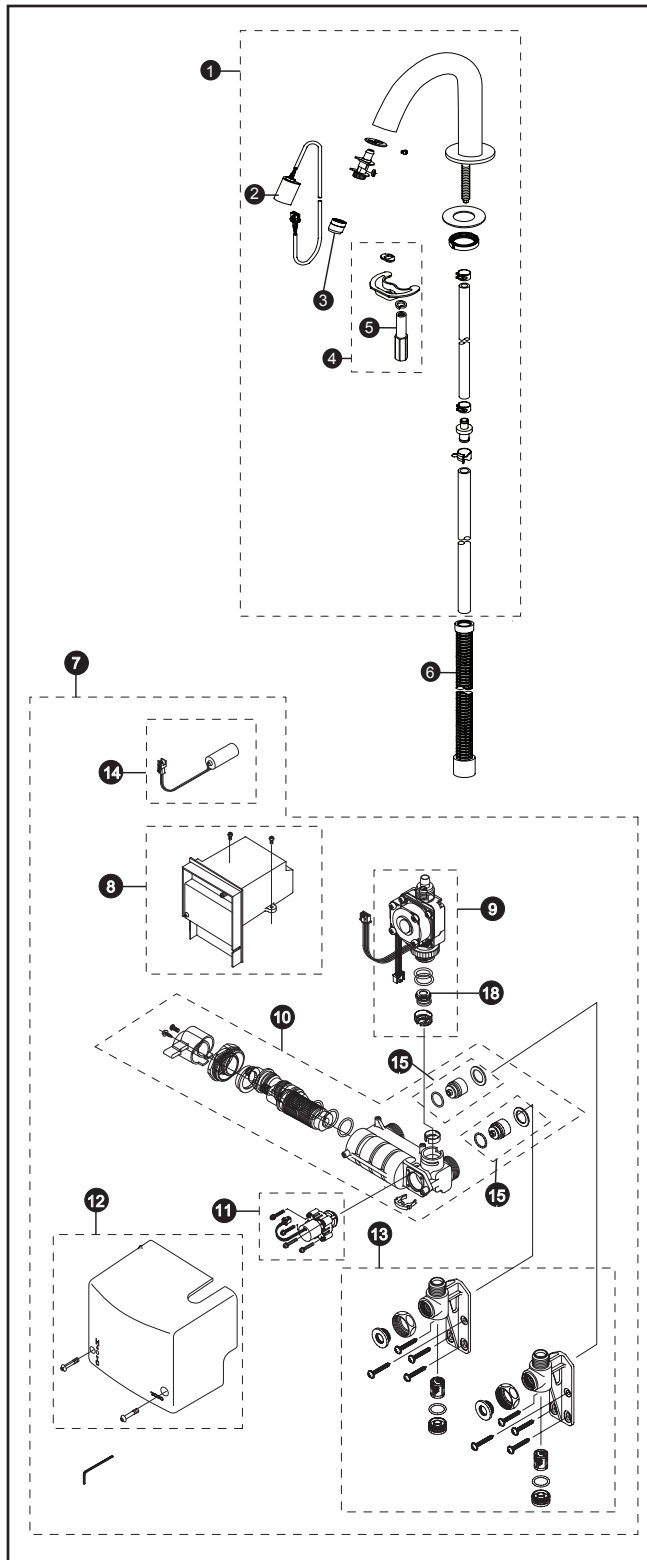


TEL5LC10#CP
 TEN12AWV100RR (Spout)
 TN78-10V710 (Dynamo)

Sensor Faucet, Helix™ Spout EcoPower® Self-Generating System Thermal Mixing, 0.5 GPM



Item	Part	Description
1	TEN12AWV100RR	Spout Assembly (Without Flexible Tube)
2	TH559EDV436	Sensor
3	THU3045#CP	Nozzle Assembly Set (0.5 GPM Aerator Flow Type)
4	TH559EDV402R	Spout Mounting Kit
5	TH559EDV403R	Spout Nut
6	THU3023	Flexible Tube
7	TN78-10V710	Dynamo Assembly
8	TH559EDV560	Thermal Dynamo Control Unit 10 sec.
9	TH559EDV563	0.5 GPM Dynamo & Flow Control Unit
10	TH559EDV469	Thermal Mixing Valve
11	TH559EDV470	Solenoid & Diaphragm Assembly
12	TH559EDV471	Control Cover Set
13	TH559EDV429R	Mounting Bracket Set
14	TH559EDV410R	Back-Up Battery
15	TH559EDV472	Check Valve
16	TN71V100S	Cover Plate - 4"
17	71244T8CC	Cover Plate - 8"
18	TH559EDV570	0.5GPM regulator

Product Number Explanations

Sensor Faucet

- (T) Fitting
- (E) Electronic
- (L) Lavatory
- (5) Thermal Mixing
- (L) 0.5 GPM Generator Type
- (C) Helix Spout
- (10) 10 Second
- (#CP) Chrome Finish