

TOTO®

MS924154F

Willingham® One-Piece Toilet, 1.6GPF

FEATURES

- Power Gravity® flushing system, (1.6GPF/6.0LPF)
- Universal height
- Decorative one-piece low profile toilet
- Elongated front bowl with SoftClose® seat (SS154)
- 12" Rough-in
- Cotton/Chrome trip lever
- ADA compliant (when installed with trip lever located on the approach side)

MODELS

- MS924154F
one-piece toilet with SoftClose seat (SS114)

COLORS/FINISHES

- Standard
 - #01 Cotton
 - #03 Bone
 - #11 Colonial White
 - #12 Sedona Beige
 - #51 Ebony



POWER BY TOTO
GRAVITY

PRODUCT SPECIFICATION

The one-piece low consumption Power Gravity flushing system toilet shall be 1.6GPF/6.0LPF. Toilet shall be an elongated front bowl with SoftClose seat and Chrome trip lever. Toilet shall be ADA compliant (when installed with trip lever located on the approach side). Toilet shall be TOTO Model MS924154F _____.

CODES/STANDARDS

- Meets and exceeds ASME A112.19.2/CSA B45.1,
- Certifications: IAPMO(cUPC), State of Massachusetts, City of Los Angeles, and others
- Code compliance: UPC, IPC, NSPC, NPC Canada, and others
- ADA compliant (when installed with trip lever located on the approach side)



MS924154F

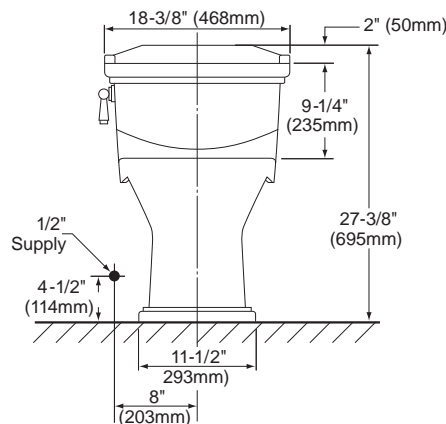
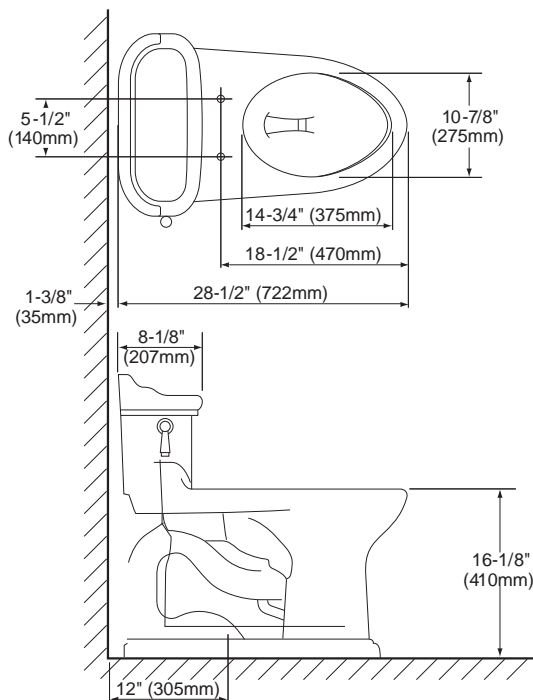
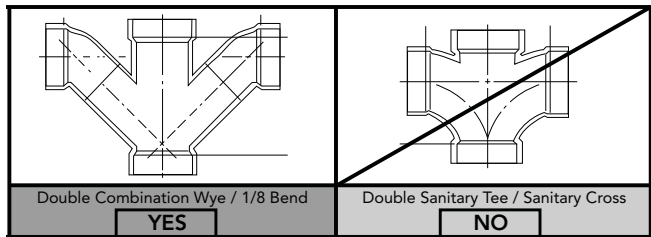
Willingham® One-Piece Toilet, 1.6GPF

SPECIFICATIONS

- Water Use 1.6 GPF/6.0LPF
- Flush System Power Gravity
- Min. Water Pressure 8 psi (static)
- Water Surface 10-3/8" x 8-1/4"
- Trap Diameter 2-1/8"
- Rough-in 12"
- Trap Seal 2-3/8"
- Warranty One Year Limited Warranty
- Material Vitreous china
- Shipping Weight 90 lbs.
- Shipping Dimensions 32" L x 20" W x 17-3/4" H1 x 28-3/4" H2

INSTALLATION NOTES

Back-to-Back Toilet Installations:
 TOTO recommends the use of a nationally listed, double sanitary tee-wye only, in vertical waste stacks, in accordance with the stipulations noted in the majority of nationally recognized plumbing codes.



These dimensions and specifications are subject to change without notice