

TOTO®

Perfection by Design

LHT242G/LHT242 Prominence Wall Mount Lavatory



LHT242.4G - Prominence Wall Mount Lavatory



- 26" x 21½"
- Beautiful design with elegant curves
- Luxury wash basin
- SanaGloss™ Technology: Super smooth, ion barrier glazing helps keep lavatory clean
- Rear overflow

Vitreous china wall mount lavatory. Mounting assembly complete with wall hangers and pair of straps with screws.

■ LHT242G

Wall mount lavatory with single hole and SanaGloss™ glazing. Available colors: #01, #11, #12, #03.

■ LHT242.4G

Same as LHT242G except with 4" centers.

■ LHT242.8G

Same as LHT242G except with 8" centers.

■ LHT242

Wall mount lavatory with single hole, less SanaGloss™ glazing. Available colors: #04, #51.

■ LHT242.4

Same as LHT242 except with 4" centers.

■ LHT242.8

Same as LHT242 except with 8" centers.

□ LT242G

Lavatory with SanaGloss™ and single hole.

□ LT242.4G

Same as LT242G except with 4" centers.

□ LT242.8G

Same as LT242G except with 8" centers.

□ LT242

Lavatory only with single hole.

□ LT242.4

Same as LT242 except with 4" centers.

□ LT242.8

Same as LT242 except with 8" centers.

□ HT242

Shroud only with mounting assembly, complete. Includes shroud support brackets.

Colors:

Standard #01 Cotton

Optional See price book for additional colors.

*SanaGloss™ glazing is available in select colors.

Please consult price book for specific color offerings.

Faucet Not Included

LHT242G/LHT242

Prominence Wall Mount Lavatory

DESIGN

Beautiful lavatory design featuring elegant curves and a sleek wall mount shroud. The Prominence Wall Mount Lavatory is designed to compliment the Prominence Design Suite.

SPECIFICATIONS

Waste: 1¹/₄" O.D.
 Size: 26" x 21¹/₂"
 Basin: 23¹/₈" x 14³/₄"
 Warranty: Five Year Limited Warranty
 Material: Vitreous china lavatory and shroud

Shipping Weight: **LT242G / LT242.4G / LT242.8G**
LT242 / LT242.4 / LT242.8
 46 lbs.
HT242
 15 lbs.

Shipping Dimensions: **LT242G / LT242.4G / LT242.8G**
LT242 / LT242.4 / LT242.8
 27¹/₈"L x 23¹/₂"W x 10¹/₂"H
HT242
 14"L x 13³/₄"W x 14¹/₈"H

Fixture dimensions meet ANSI/ASME standard A112.19.2M and CAN/CSA B 45 requirements.

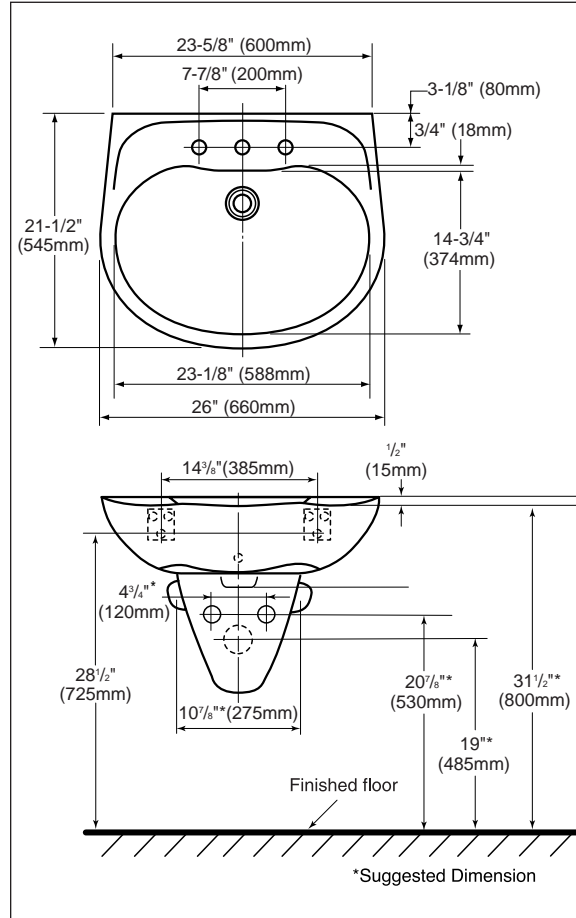
Listing / Approvals: IAPMO/UPC, CSA, City of Los Angeles, State of Massachusetts, and others.



(Model: LHT242G/LHT242.4G/LHT242.8G
 LHT242/LHT242.4/LHT242.8)

Meets the American Disabilities Act Guidelines and ANSI A117.1 requirements when countertop installed 864mm (34") from finished floor and lavatory installed 51mm (2") minimum from the front edge.

These dimensions and specifications are subject to change without notice.



LHT242.8G - Prominence Wall Mount Lavatory