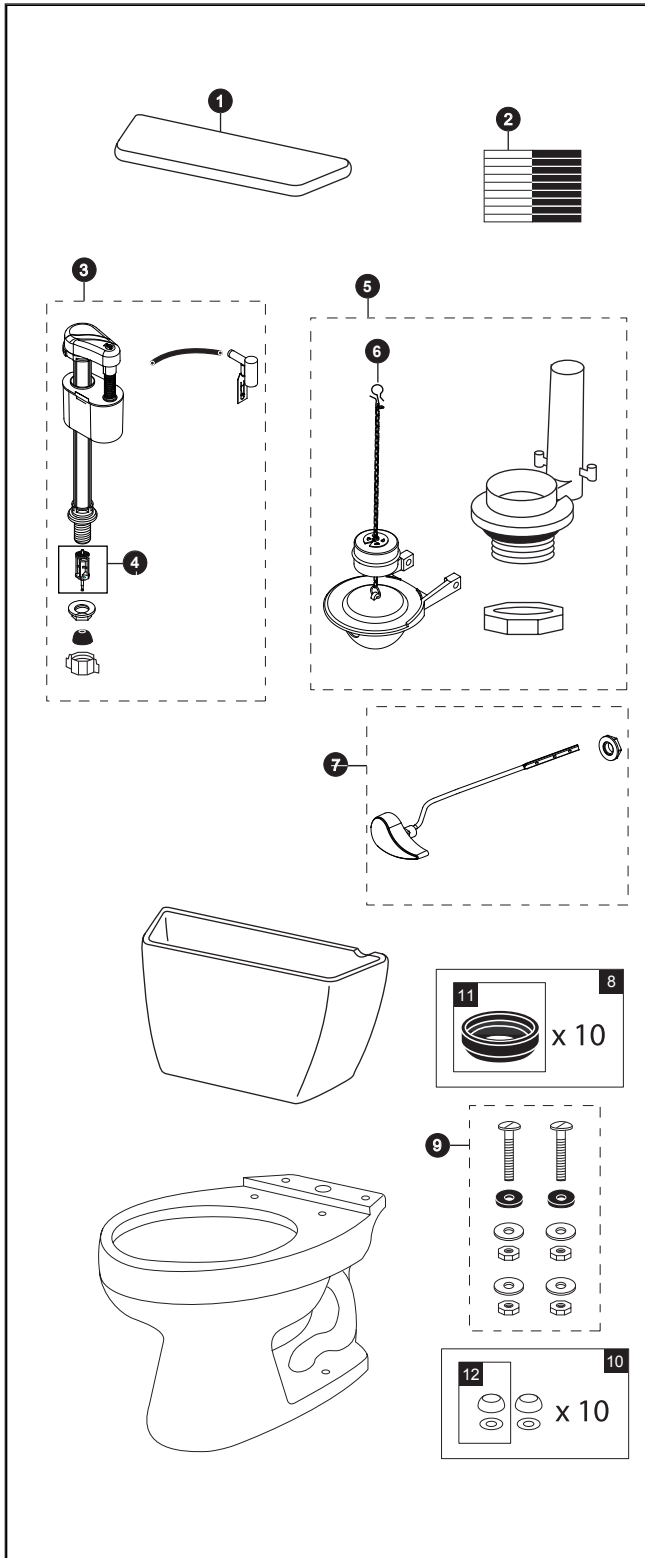


CST744E & CST744EG

CST744E CST744EG
 ST743E ST743E
 C744E C744EG

Drake® 1.28 Gpf Toilet, Elongated, E-Max®, 12" Rough-In (including SanaGloss®)



Item	Part	Description
1	TCU743CRE#01 TCU743CRE#03 TCU743CRE#11 TCU743CRE#12 TCU743CRE#51	Tank Lid w/ Velcro Tape Tank Lid w/ Velcro Tape Tank Lid w/ Velcro Tape Tank Lid w/ Velcro Tape Tank Lid w/ Velcro Tape
2	THU107	Velcro Tape
3	TSU33A	Fill Valve
4	THU229	Fill Valve Filter
5	THU252W-A	Flush Valve Assembly w/Flapper
6	THU277S	Flapper w/Float & Chain
7	THU068#01 THU068#03 THU068#11 THU068#12 THU068#51 THU068#CP THU068#BN THU068#PN	Trip Lever Trip Lever Trip Lever Trip Lever Trip Lever Trip Lever Trip Lever Trip Lever
8	THU131	Tank to Bowl Gaskets (for 10 toilets)
9	TSU01	Tank Mounting Kit
10	THU098#01 THU098#03 THU098#51	Bolt Cap Sets (for 10 toilets) for #01 & #11 Bolt Cap Sets (for 10 toilets) for #03 & #12 Bolt Cap Sets (for 10 toilets)
11	9BU024E	3" Tank to Bowl Gasket
12	THU044#01 THU044#03 THU044#51	Bolt Cap Sets (for 10 toilets) for #01 & #11 Bolt Cap Sets (for 10 toilets) for #03 & #12 Bolt Cap Sets (for 10 toilets)

Product Number Explanations

Two-Piece Toilet

(CST) Gravity Type Toilet
 (744) Model
 (E) E-Max®
 (G) SanaGloss

Colors

(#01) Cotton
 (#03) Bone
 (#04) Gray
 (#11) Colonial White
 (#12) Sedona Beige
 (#51) Ebony

Tank

(ST) Tank
 (743) Model
 (E) E-Max®

Finishes

(#CP) Chrome Plated
 (#BN) PVD Brushed Nickel
 (#PN) PVD Polished Nickel

Bowl

(C) Bowl
 (744) Model
 (E) E-Max®
 (G) SanaGloss