

TOTO®

CT705EN(G)

Flushometer Toilet, 1.28GPF when used with High Efficiency Flushometer Valve

FEATURES

- Floor-mounted
- Elongated front bowl
- SanaGloss® ceramic glaze
- 10"-12" rough-in

MODELS

- CT705ENG
Commercial floor-mounted toilet with SanaGloss ceramic glaze
- CT705EN
Commercial floor-mounted toilet
- SS534 seat (sold separately)
- SS134 seat (sold separately)

COLORS/FINISHES

- Standard
 - #01 Cotton
 - #03 Bone (not available in SanaGloss)
 - #12 Sedona Beige (not available in SanaGloss)
- Optional
See price book for additional information

PRODUCT SPECIFICATION

The floor-mounted, low consumption siphon jet flushing system toilet shall be 1.28GPF/4.8LPF when paired with a 1.28GPF flushometer valve. Toilet can be mounted on 10" or 12" rough-in. Toilet shall be elongated front bowl and SanaGloss ceramic glaze (CT705ENG).



SanaGloss

CODES/STANDARDS

- Meets and exceeds ASME A112.19.2/CSA B45.1, ASME A112.19.14
- Certifications: IAPMO (cUPC), State of Massachusetts, City of Los Angeles, and others
- Code compliance: UPC, IPC, NSPC, NPC Canada, and others
- Legislative compliance: California AB715, California Green Building Code, City of Los Angeles Water Efficiency Ordinance



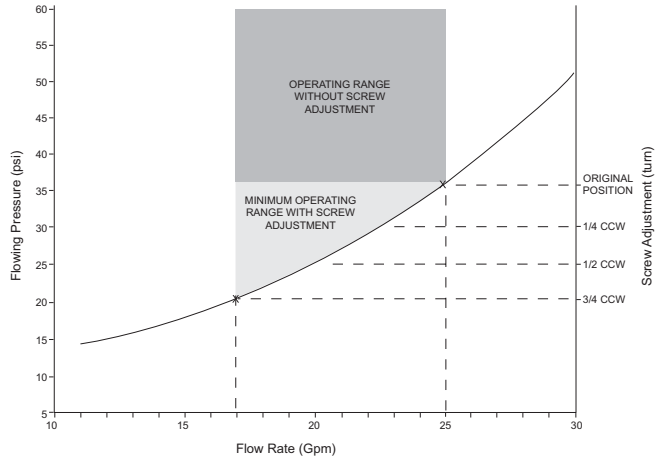
CT705EN(G)

Flushometer Toilet, 1.28GPF when used with High Efficiency 1.28GPF Flushometer Valve)

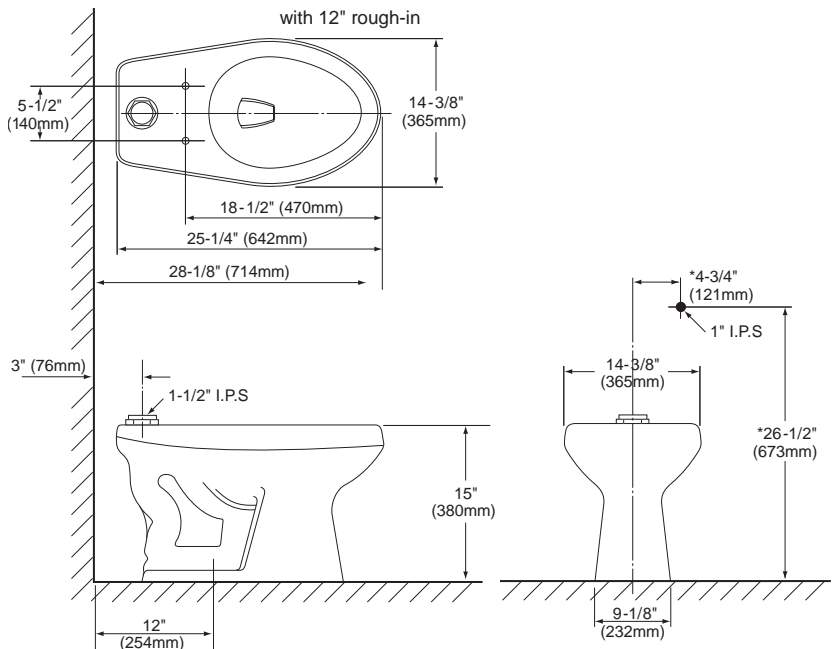
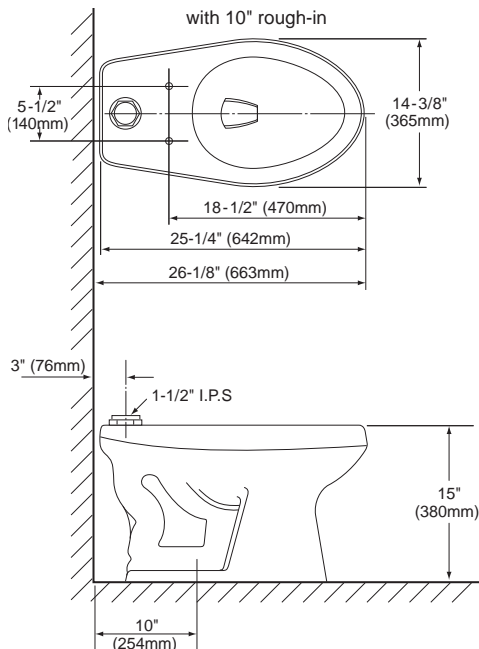
SPECIFICATIONS

- Water Use 1.28GPF/4.8LPF
- Flush System Siphon jet flushing action
- Min. Water Pressure 35 psi (flowing)
- Min. Flow Rate 23 GPM
- Water Surface 10-1/4" x 9-5/8"
- Trap Diameter 1-7/8"
- Rough-in 12", or 10"
- Trap Seal 2-3/8"
- Warranty One Year Limited Warranty
- Material Vitreous china
- Shipping Weight CT705EN(G) - 52.5lbs
- Shipping Dimensions CT705EN(G)
26-1/2" L x 9-1/2" W¹ x 16-1/4" W² x 17" H

INSTALLATION NOTES



Water pressures over 80 psi are not recommended for most plumbing fixtures.



TOTO

These dimensions and specifications are subject to change without notice