

Eco Promenade® Close Coupled Toilet, 1.28GPF

FEATURES

- E-Max® flushing system, low consumption (1.28GPF/4.8LPF)
- Universal Height
- Round bowl
- Optional SanaGloss® ceramic glaze - SanaGloss glaze prevents debris, and mold from sticking to ceramic surfaces, leading to fewer chemicals and less water in cleaning.
- Decorative two-piece design with high-profile tank
- Chrome trip lever

MODELS

- CST423EFG
With SanaGloss ceramic glaze
- CST423EF
Less SanaGloss

COMPONENTS

- C423EFG
Round bowl with SanaGloss
- C423EF
Round bowl less SanaGloss
- ST424E
Tank and cover only
- SS113 SoftClose® seat (sold separately)
- SS303 SoftClose® maple seat (sold separately)

COLORS/FINISHES

- Standard
 - #01 Cotton
 - #03 Bone
 - #11 Colonial White
 - #12 Sedona Beige
 - #51 Ebony (not available with SanaGloss)

PRODUCT SPECIFICATION

The two-piece low consumption E-Max flushing system toilet shall be 1.28GPF/4.8LPF. Toilet shall have high-profile tank, round front bowl and chrome trip lever. Toilet model CST423EFG shall have SanaGloss ceramic glaze. Toilet shall be TOTO Model CST423EF _____.



SanaGloss

E-MAX™
FLUSHING SYSTEM BY TOTO®

CODES/STANDARDS

- Meets and exceeds ASME A112.19.2/CSA B45.1
- Certifications: IAPMO(cUPC), EPA Watersense, State of Massachusetts, City of Los Angeles, and others
- Code compliance: UPC, IPC, NSPC, NPC Canada, and others
- Legislative compliance: California AB715, California Green Building Code, City of Los Angeles Water Efficiency Ordinance



CST423EF(G)

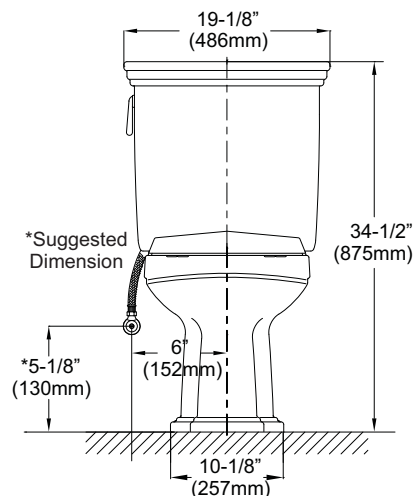
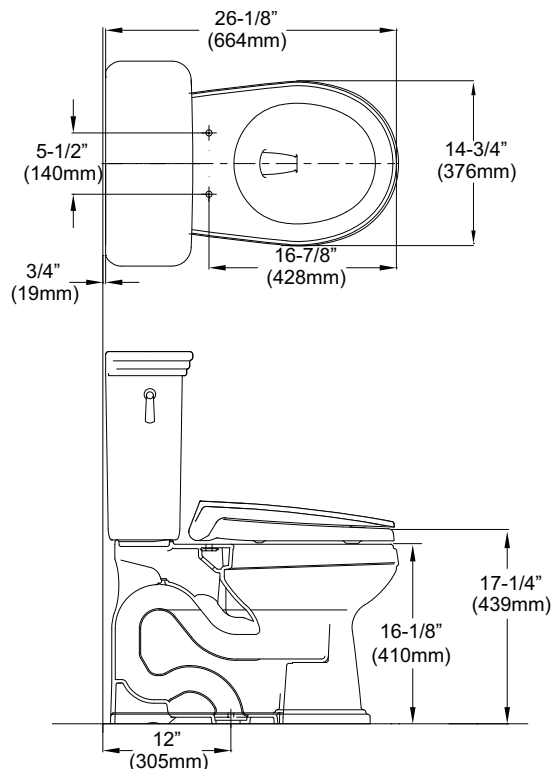
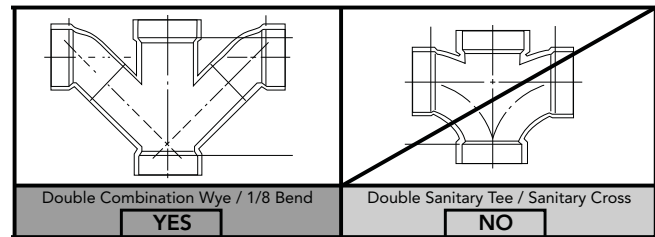
Eco Promenade® Close Coupled Toilet, 1.28GPF

SPECIFICATIONS

- Water Use 1.28 GPF/4.8LPF
 - Flush System E-Max
 - Min. Water Pressure 8 psi (static)
 - Water Surface 8-7/8" x 6-3/8"
 - Trap Diameter 2-1/8"
 - Rough-in 12"
 - Trap Seal 2-1/4"
 - Warranty One Year Limited Warranty
 - Material Vitreous china
 - Shipping Weight C423EF - 54lbs
ST424E - 41.5lbs
 - Shipping Dimensions C423EF(G)
28" L x 10" W¹ x 16-1/4" W²
x 17-1/4" H
- ST424E
20-1/2" L x 9-1/2" W
x 21-3/4" H

INSTALLATION NOTES

Back-to-Back Toilet Installations:
TOTO recommends the use of a nationally listed, double sanitary tee-wye only, in vertical waste stacks, in accordance with the stipulations noted in the majority of nationally recognized plumbing codes.



TOTO

These dimensions and specifications are subject to change without notice