



T&S BRASS AND BRONZE WORKS, INC.

2 Saddleback Cove / P.O. Box 1088
Travelers Rest, SC 29690



REG. #A2601
ISO #9001

Model No.

B-0100-C

Item No.

Travelers Rest, SC: 800-476-4103 Simi Valley, CA: 800-423-0150 Fax: 864-834-3518 www.tsbrass.com

This Space for Architect/Engineer Approval

Job Name _____ Date _____

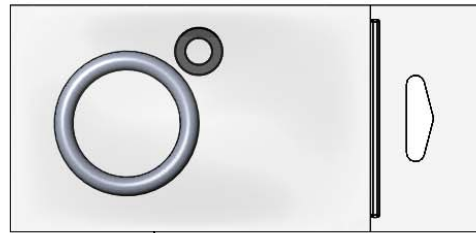
Model Specified _____ Quantity _____

Customer/Wholesaler _____

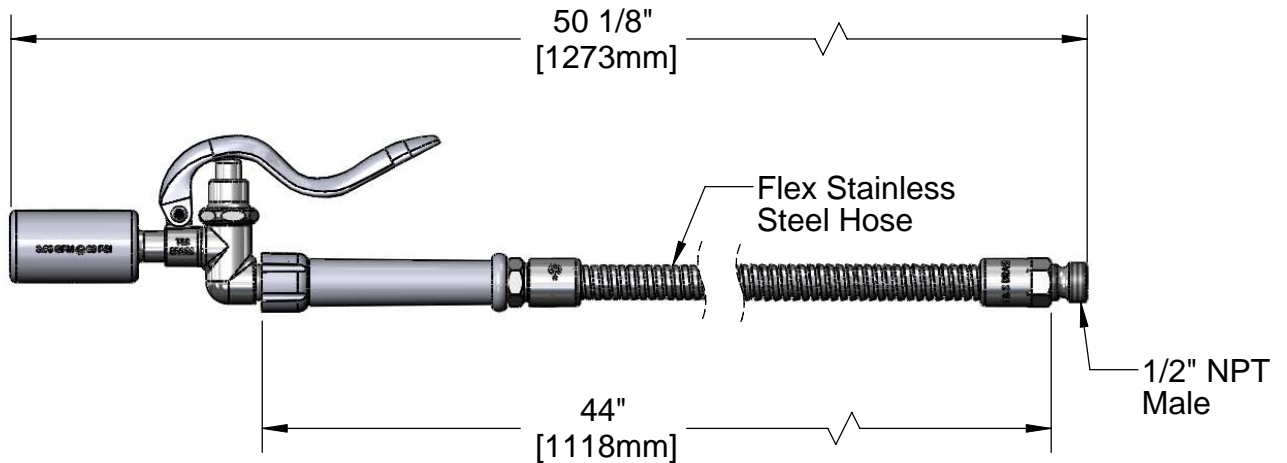
Contractor _____

Architect/Engineer _____

EPAct2005 COMPLIANT



Hold Down Ring
w/ Hose Washer



Note: Standard Flex Hose = 44" Long
(Modified Lengths Available Upon Request)

Product Specifications:

Low-Flow Pre-Rinse Accessory:
B-0107-C Spray Valve w/ B-0044-H Flex Hose

Drawn JRM	Checked DMH	Approved JHB
Scale: NTS		Date: 08/27/09



T&S BRASS AND BRONZE WORKS, INC.

2 Saddleback Cove / P.O. Box 1088
Travelers Rest, SC 29690



REG. #A2601
ISO #9001

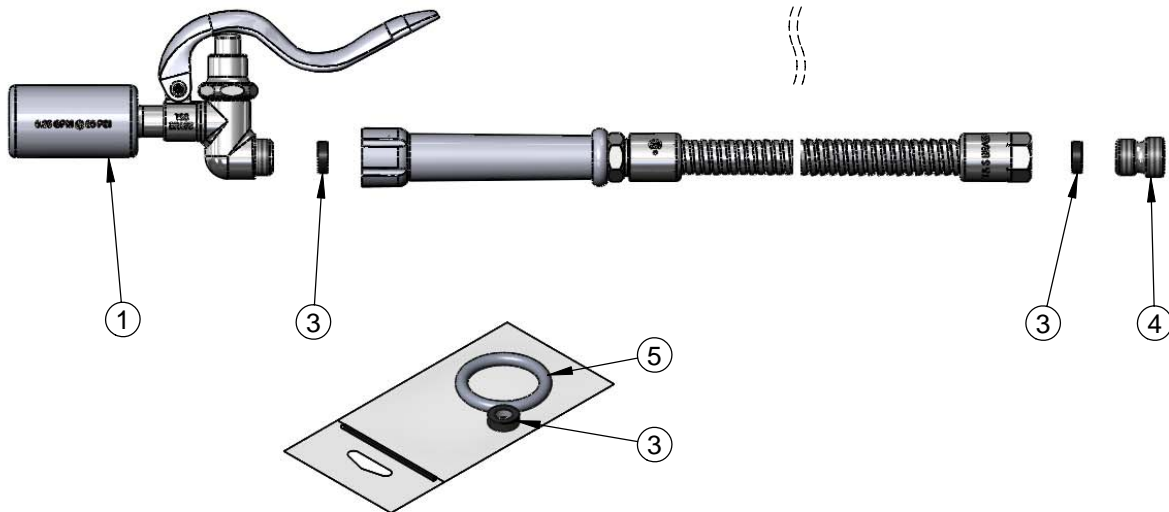
Model No.

B-0100-C

Item No.

Travelers Rest, SC: 800-476-4103 Simi Valley, CA: 800-423-0150 Fax: 864-834-3518 www.tsbrass.com

ITEM NO.	SALES NO.	DESCRIPTION
1	B-0107-C	Low Flow Spray Valve Assembly
2	B-0044-H	Stainless Steel Hose
3	010476-45	#27 Washer
4	055A	Adapter, 1/2 NPT Male
5	000907-45	Ring, Spray valve Hold Down



Product Specifications:

Low-Flow Pre-Rinse Accessory:
B-0107-C Spray Valve w/ B-0044-H Flex Hose

Drawn
JRM

Checked
DMH

Approved
JHB

Scale:

NTS

Date:

08/27/09