



T&S BRASS AND BRONZE WORKS, INC.
 2 Saddleback Cove / P.O. Box 1088
 Travelers Rest, SC 29690

Model No.
B-0807

Item No.

Travelers Rest, SC: 800-476-4103 • Simi Valley, CA: 800-423-0150 • Fax: 864-834-3518 • www.tsbrass.com



ADA Compliant

This Space for Architect/Engineer Approval

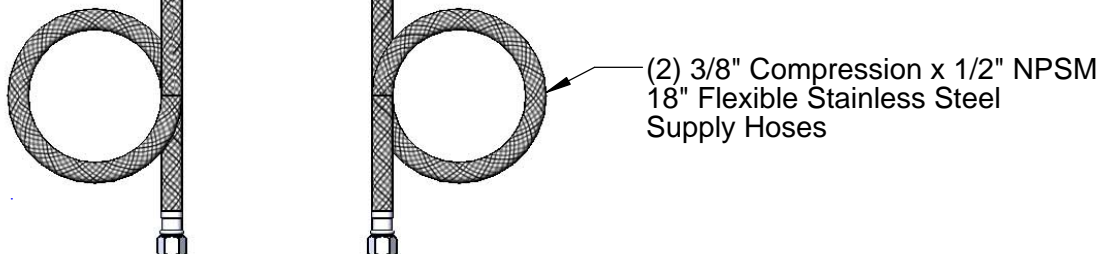
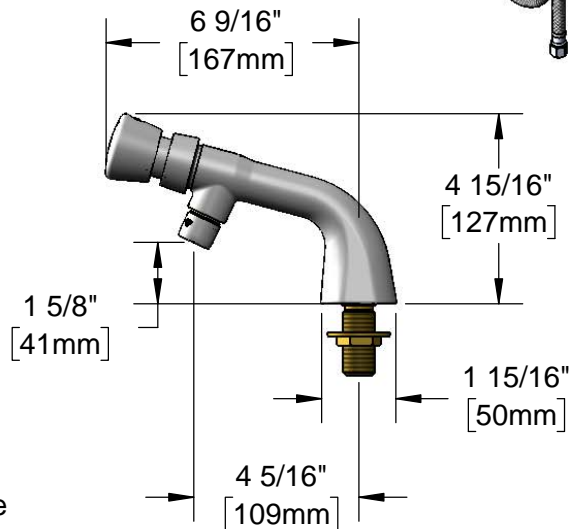
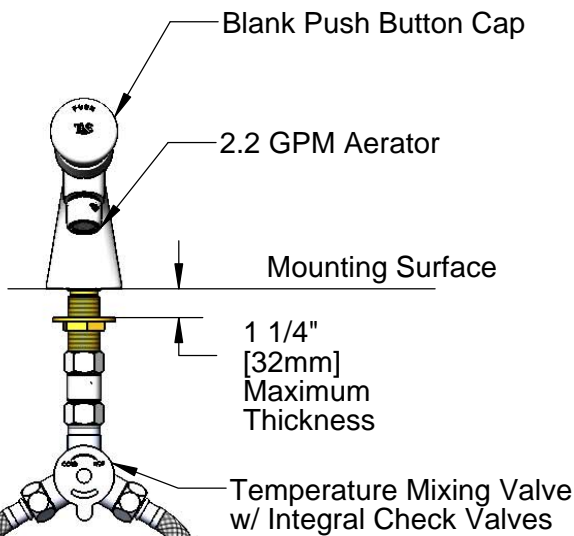
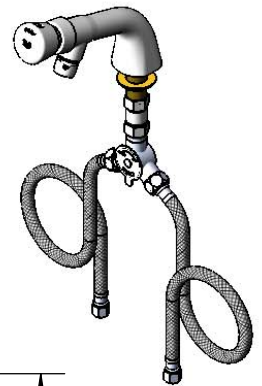
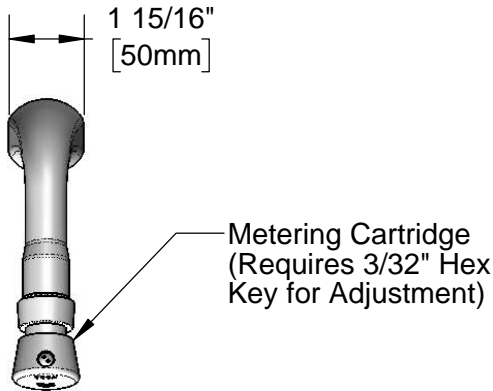
Job Name _____ Date _____

Model Specified _____ Quantity _____

Customer/Wholesaler _____

Contractor _____

Architect/Engineer _____



Rough-in Requirement:
 Ø 1" [25mm] Mounting Hole

Product Specifications:
 Single Hole, Single Temperature Deck Mount Faucet, Push Button Metering Cartridge, 2.2 GPM Aerator, Temperature Control Mixing Valve w/ Integral Check Valves & 18" Flexible Stainless Steel Supply Hoses w/ 3/8" Compression Female Inlets

Product Compliance:
 ASME A112.18.1 / CSA B125.1
 NSF 61 - Section 9
 NSF 372 (Low Lead Content)
 ANSI A117.1 (ADA)



T&S BRASS AND BRONZE WORKS, INC.

2 Saddleback Cove / P.O. Box 1088
Travelers Rest, SC 29690

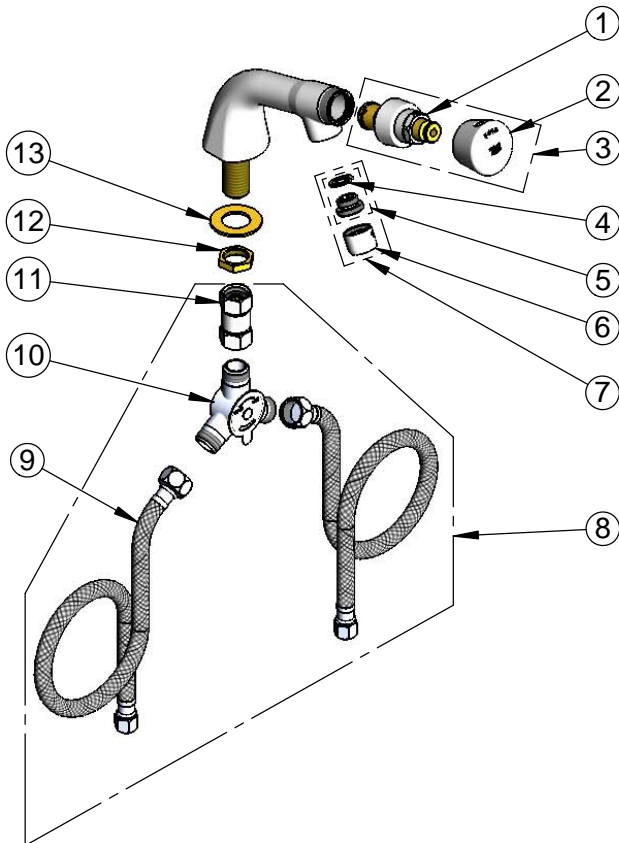
Model No.

B-0807

Item No.

Travelers Rest, SC: 800-476-4103 • Simi Valley, CA: 800-423-0150 • Fax: 864-834-3518 • www.tsbrass.com

ITEM NO.	SALES NO.	DESCRIPTION
1	238A	Push Button Metering Cartridge
2	014193-40	Blank Push Cap Assembly
3	238AB	Push Button Metering Cartridge w/ Push Button Cap
4	001043-45	Washer
5	044A	3/8" to Aerator Adapter
6	B-0199-01	2.2 GPM Aerator, 55/64"-27 UN Female
7	B-0199-02	2.2 GPM Male Aerator, Adaptor & Washer
8	019806-40	Temperature Control Mixing Valve w/ Flexible 3/8" Compression Female Inlets
9	5EF-0005	Supply Hose, 9/16-24 Female x 1/2" NPSM
10	5EF-0006	Mechanical Mixing Valve
11	017506-45	1/2" NPSM Swivel Coupling
12	002954-45	Shank Lock Nut
13	000999-45	Brass Lock Washer



014734-45
#8 Spanner Bit

Product Specifications:

Single Hole, Single Temperature Deck Mount Faucet, Push Button Metering Cartridge, 2.2 GPM Aerator, Temperature Control Mixing Valve w/ Integral Check Valves & 18" Flexible Stainless Steel Supply Hoses w/ 3/8" Compression Female Inlets

Product Compliance:

ASME A112.18.1 / CSA B125.1
NSF 61 - Section 9
NSF 372 (Low Lead Content)
ANSI A117.1 (ADA)