



Limited One Year Warranty
T&S warrants to the original purchaser (other than for purposes of resale) that such product is free from defects in material and workmanship for a period of one (1) year from the date of purchase. During this one-year warranty period, if the product is found to be defective, T&S shall, at its options, repair and/or replace it. To obtain warranty service, products must be returned to...

T&S Brass and Bronze Works, Inc.
Attn: Warranty Repair Department
2 Saddleback Cove
Travelers Rest, SC 29690

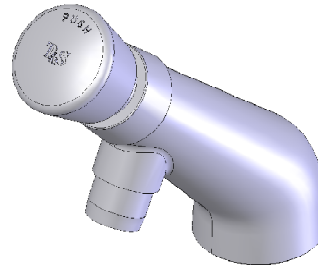
Shipping, freight, insurance, and other transportation charges of the product to T&S and the return of repaired or replaced product to the purchaser are the responsibility of the purchaser. Repair and/or replacement shall be made within a reasonable time after receipt by T&S of the returned product. This warranty does not cover items which have received secondary finishing or have been altered or modified after purchase, or for defects caused by physical abuse to or misuse of the product, or shipment of the products.

Any express warranty not provided herein, and any remedy for Breach of Contract which might arise, is hereby excluded and disclaimed. Any implied warranties of merchantability or fitness for a particular purpose are limited to one year in duration. Under no circumstances shall T&S be liable for loss of use or any special consequential costs, expenses or damages.

Some states do not allow limitations on how long and implied warranty lasts or the exclusion or limitation of incidental or consequential damages, so the above limitations or exclusions may not apply to you. Specific rights under this warranty and other rights vary from state to state.

P/N: 098-003151-45 Rev.4
Date: 03-08-04
Drawn: TEH
Checked: MVW 03-11-04
Approved: MVW 03-11-04

Installation and Maintenance Instructions



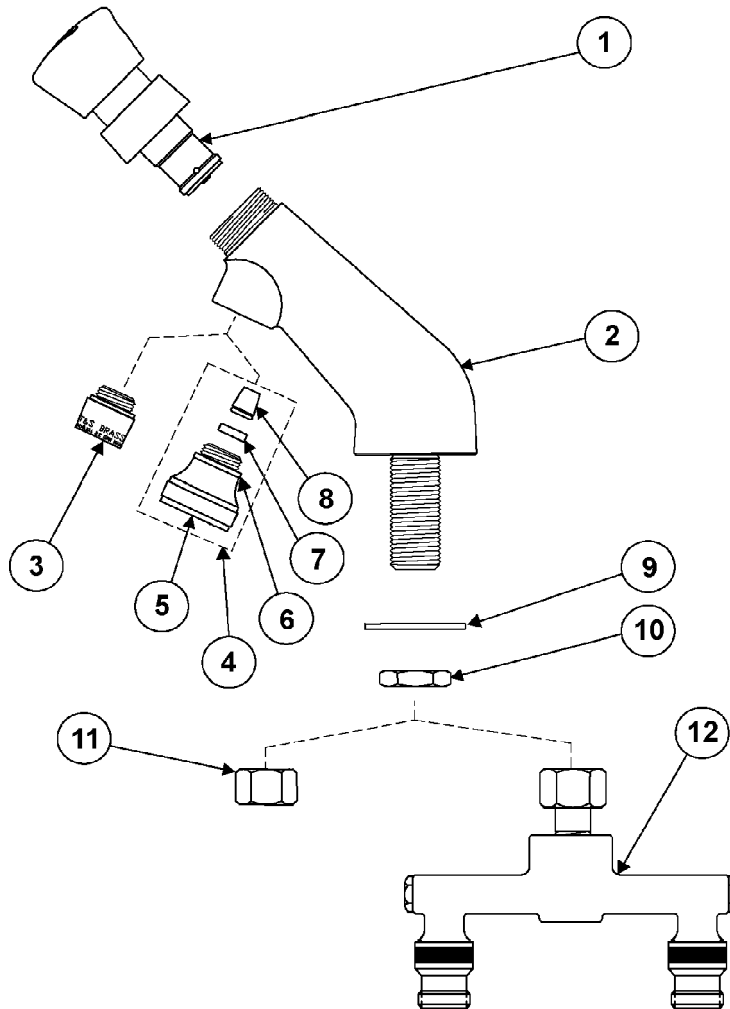
B-0805 Series Metering Faucets

**Deutsch: Installations- und
Wartungsanleitungen**

**Español: la Instalación y las
Instrucciones de
Mantenimiento**

**Français: les Instructions
d'Installation et
d'Entretien**

Exploded View



* Some items are listed for instructional purposes and may not be sold as separate parts.

Part Number Guide

Metering Faucet Assemblies

1	Asm, Metering Valve	
	Blank Valve	238AB
	Hot Valve	238AH
	Cold Valve	238AC
2	Body, Faucet	*
3	Aerator, 3/8-18 Male (B-0805, B-0807)	B-0199-02
4	Asm, Rose Spray - 1.40 GPM	B-0103-F15
5	Asm, Spray Head (B-0806, B-0808)	002209-40
6	Washer GN Tip	052X
7	Holder, Flow Control (B-0806)	009069-45
8	Flow Control (B-0806)	001644-45
9	Washer, Shank	000999-45
10	Locknut	002954-45
11	Nut, Nipple Cplg. (B-0805, B-0806)	000958-20
12	Asm, Spreader Unit (B-0807, B-0808)	002899-40

General Instructions

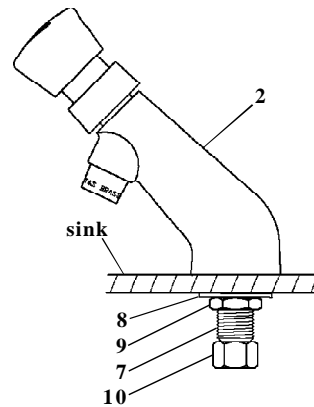
Installation: (B-0805)

1. Turn off water supply and drain lines. Flush lines thoroughly of debris.
2. Drill a 7/8" diameter hole through sink or countertop in desired location.
3. Remove no. **10**, no. **9** and no. **8** from no. **7**. Place no. **7** through opening in sink.
4. Replace no. **8**, no. **9** and no. **10** onto no. **7** and tighten against bottom of sink. Hold no. **2** flat against sink while tightening no. **9**.
5. Connect water supply to no. **10** and check for leaks.

Note: Flow is adjustable from instantaneous shut-off to extended flow by external adjustment:

Note: Each metering cartridge is preset for approximately 10 seconds at the factory with 40psi inlet water pressure. They may be reset at installation. If water pressure varies, the cycle time will also vary.

Note: See separate installation instructions 098-009763-45 for models with spreader unit. (B-0806 and B-0808)



Note: See installation instruction 098-014733-45 for cartridge adjustment.

RELATED T&S BRASS PRODUCT LINE

T&S BRASS AND BRONZE WORKS, INC.

A firm commitment to application-engineered plumbing products

2 Saddleback Cove, P.O. Box 1088,
Travelers Rest, SC 29690

Phone: (864) 834-4102

Fax: (864) 834-3518

E-mail: tsbrass@tsbrass.com

T & S Brass-Europe
'De Veenhoeve'

Oude Nieuwveenseweg 84

2441 CW Nieuwveen

The Netherlands



RELIABILITY BUILT IN™