

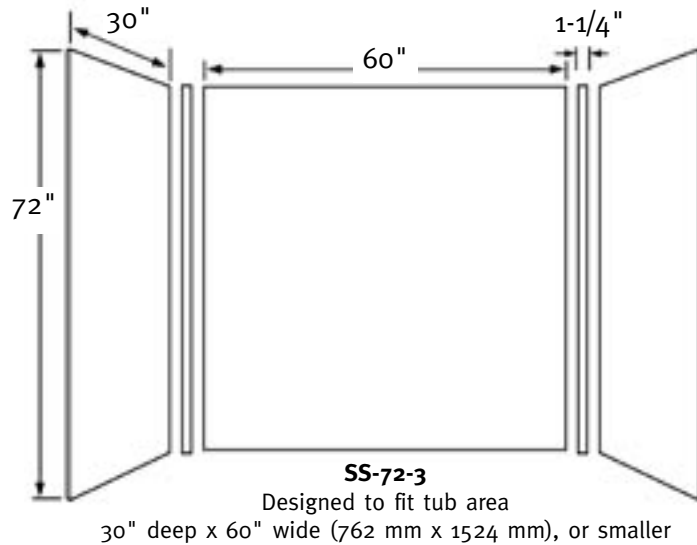
WARRANTY
 Limited Lifetime – Residential
 Limited 25-year – Commercial

Manufactured from Swanstone solid surface
 (see page 2 for detailed information)

Recommended for high use traffic areas and commercial surfaces

FEATURES

- Stunning look adds elegance to your bath
- A variety of colors to choose from to customize a bath
- Will not mold or mildew, no grout to clean
- Ideal for both remodeling projects and new construction
- Heat resistant—walls can handle steamer units
- Reinforced solid surface means color and texture run all the way through and cannot wear away
- Upgrade glue-up wall system includes a single back panel, two side panels and two corner molding strips
- Optional TK-6072 trim kit available



SPECIFICATIONS

SS-72-3 Bathtub 3-Panel Wall System

Model	Part	Tub Area Designed To Fit	Ship Wt. Lb.	Ship UPS	Carton Dims. In.	Cu. Ft.
SS-72-3	SS00723	30" D x 60" W (762 mm x 1524 mm) (or smaller)	165	–	78 x 66 x 4	11.92

Kit Includes: One flat back panel, two flat side panels, two corner moldings, and complete installation instructions.

Soap dishes and installation kit (SS-29) sold separately.

Packaging: Each kit is packed in a flat, rectangular carton.

See pages 81-82 for complete listing of all wall accessories.

STANDARDS AND RATINGS

Class 1A fire rating

National Sanitation Foundation-NSF Splash Zone, -NSF Food Zone

American Society for Testing and Materials

National Electrical Manufacturers Association

For a complete list of tests and results see the Technical Data Sheet – page 129.

SUPPORT DOCUMENTS

Installation instructions available on line at www.swanstone.com

COLORS (See pg. 139 for color sample.)

- White (010)
- Bone (037)
- Bisque (018)
- Almond Galaxy (046)
- Arctic Granite (035)
- Barley (091)
- Bermuda Sand (040)
- Gray Granite (042)
- Green Pasture (095)
- Sierra (094)
- Tahiti Blue (056)
- Tahiti Desert (050)
- Tahiti Evergreen (057)
- Tahiti Gray (053)
- Tahiti Ivory (059)
- Tahiti Matrix (058)
- Tahiti Rose (052)
- Tahiti Sand (051)
- Tahiti Terra (055)
- Tahiti White (011)
- Cornflower (063)
- Ironweed (061)
- Night Sky (012)
- Purple Sage (064)
- Wild Indigo (022)
- Winter Wheat (060)
- Indian Grass (071)
- Pebble (072)
- Seafoam (074)

MAINTENANCE AND CLEANING INFORMATION

Clean your Swanstone tub walls with powdered abrasive cleaners. Use of a Scotch-Brite pad is recommended to remove stubborn stains. Occasional use of a mild bleach and water solution ensures that the original luster is maintained.