

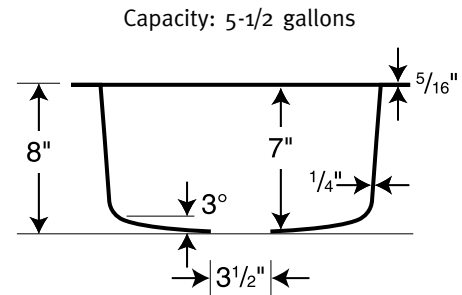
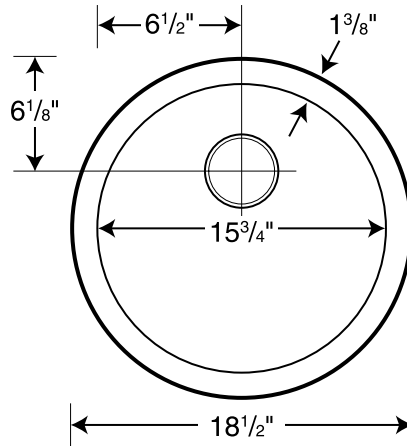
WARRANTY
Limited Lifetime – Residential
Limited 10-year – Commercial

Manufactured from Swanstone solid surface
(see page 2 for detailed information)

Recommended for high use traffic areas and commercial surfaces

FEATURES

- Ideal as a vegetable prep sink in kitchen island
- Also makes a high-capacity entertainment sink
- Renewable surface will not wear away
- Hot pots and boiling water will not harm it
- Highest resistance of impact from heavy objects
- Easily accommodates all faucet styles
- Heat, stain and scratch resistance for lasting beauty
- Matching or contrasting countertops available. Contact a Swanstone representative for more information.



SPECIFICATIONS

KSRB-18 Round Bowl

Model	Part	Dimensions	Ship Wt. Lb.	Ship UPS	Carton Dims. In.	Cu. Ft.
KSRB-18	KS00018RB	18-1/2" Diameter (470 mm)	18	UPS	22 x 21 x 10	2.68

COLORS (See pg. 139 for color sample.)

- White (010)
- Bone (037)
- Bisque (018)
- Almond Galaxy (046)
- Arctic Granite (035)
- Barley (091)
- Bermuda Sand (040)
- Gray Granite (042)
- Green Pasture (095)
- Sierra (094)
- Tahiti Blue (056)
- Tahiti Desert (050)
- Tahiti Evergreen (057)
- Tahiti Gray (053)
- Tahiti Ivory (059)
- Tahiti Matrix (058)
- Tahiti Rose (052)
- Tahiti Sand (051)
- Tahiti Terra (055)
- Tahiti White (011)
- Cornflower (063)
- Ironweed (061)
- Night Sky (012)
- Purple Sage (064)
- Wild Indigo (022)
- Winter Wheat (060)
- Indian Grass (071)
- Black Galaxy (015)
- Pebble (072)
- Seafoam (074)

STANDARDS AND RATINGS

Class 1A fire rating
American National Standard Institute—ANSI Z124.6
International Association of Plumbing and Mechanical Officials (IAPMO)—listed
cUPC listed—Certified to CSA Standard B45 by IAPMO
National Sanitation Foundation-NSF Splash Zone, -NSF Food Zone
American Society for Testing and Materials
National Electrical Manufacturers Association

For a complete list of tests and results see the Technical Data Sheet – page 129.

SUPPORT DOCUMENTS

Installation instructions available on line at www.swanstone.com

MAINTENANCE AND CLEANING INFORMATION

Clean your Swanstone kitchen sink with powdered abrasive cleaners. Use of a Scotch-Brite pad is recommended to remove stubborn stains. Occasional use of a mild bleach and water solution ensures that the original luster is maintained.