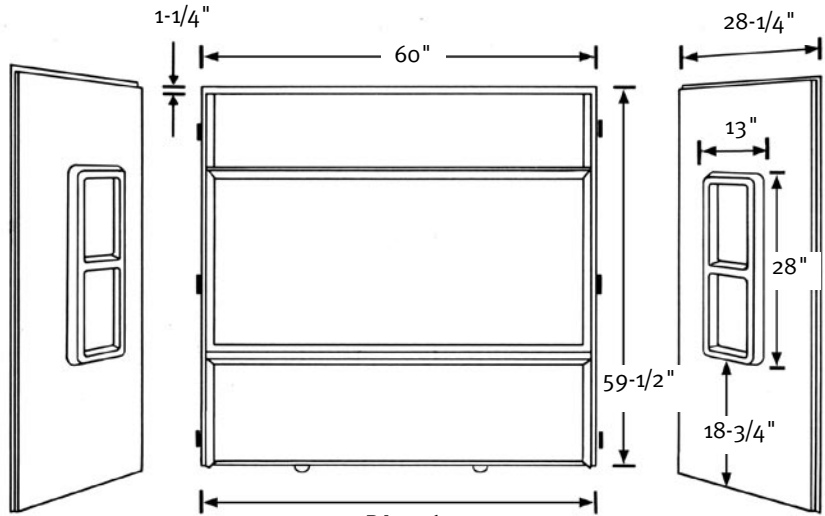


**Manufactured from Swanstone Veritek®**  
(see page 2 for detailed information)

**WARRANTY**  
Limited Lifetime – Residential  
Limited 5-year – Commercial

**FEATURES**

- Nails directly to studs for fast installation
- Sturdy interlocking system for one-piece appearance
- Panels easily fit through existing doorways and can be installed by one person
- Made of Veritek with no surface coating to chip or crack
- The BA-3060 is a 3-piece compression molded composite material with molded-in color and a natural gloss surface



**BA-3060**  
Designed to fit tub area  
30" deep x 60" wide\* x 59-1/2" high (762 mm x 1524 mm x 1511 mm)  
Shower door opening size: 58-1/16" wide at tub ledge, 58" high

**SPECIFICATIONS**

**BA-3060 Veritek® Bath Alcove Walls**

Model	Part	Tub Area Designed To Fit	Ship Wt. Lb.	Ship UPS	Carton Dims. In.	Cu. Ft.
BA-3060	BA03060	30" D x 60" W* x 59-1/2" H (762 mm x 1524 mm x 1511 mm)	75	-	62 x 63 x 7	15.40

\*1-1/2" additional area required on outer edges of wall panels to accommodate nail-up flange.

Kit Includes: One right side panel, one left side panel, one back panel with six factory installed wall mounting clips, and complete installation instructions.

Packaging: Each kit is packed in a flat, rectangular carton.

**COLORS** (See pg. 139 for color sample.)

- White (010)
- Bone (037)
- Bisque (018)
- Bermuda Sand (040)
- Gray Granite (042)
- Tahiti Desert (050)

**STANDARDS AND RATINGS**

Class B fire rating  
American National Standard Institute—ANSI Z124.1.2  
International Association of Plumbing and Mechanical Officials (IAPMO)—listed  
cUPC listed—Certified to CSA Standard B45 by IAPMO  
American Society for Testing and Materials  
National Electrical Manufacturers Association

**SUPPORT DOCUMENTS**

Installation instructions available on line at [www.swanstone.com](http://www.swanstone.com)

**MAINTENANCE AND CLEANING INFORMATION**

Wash regularly with warm water; use soft cloth with mild liquid detergent. Never use abrasive scouring powders, cleaners or pads. They will dull the finish. Protect finish with any fiberglass wax or automotive paste wax.