

SPEAKMAN COMPANY

S-2005-H Installation, Operation, & Maintenance Instructions ANYSTREAM® SHOWERHEAD

DESCRIPTION

Polished chrome plated ANYSTREAM® S-2005 Showerhead. Spray adjusting T-handle. 3 1/4" face. 5 self-cleaning plunger nozzles resist scale build-up and provide 50 spray streams for a full body coverage pattern. Center core nozzles deliver 8 pulsating-massage jets. There is also a dual action combination spray. Water conserving pressure compensating AUTOFLO® device reduces flow to 2.5 GPM/9.46LPM maximum to meet existing ASME A112.18.1/CSA B125.1 standard. Brass threaded inlet with 1/2" NPT inlet.

SPECIFICATIONS

SUPPLY INLET: 1/2" NPT
FLOW RATE: 2.5 GPM/ 9.46LPM MAXIMUM
SHIPPING WEIGHT: 1 LB.

OPTIONS

◇ BN: Brushed Nickel Finish
◇ PB: Polished Brass (Gold) Finish
◇ S-2005-H-E2: Eco 2.0 GPM (7.6 L/min) Showerhead

INSTALLATION

This showerhead comes installed with the EZ connection, which requires no pipe tape or pipe joint compound for installation. Simply attach by threading the showerhead onto the shower arm by turning in a clockwise direction. Use a cloth to protect the surface as the showerhead is tightened down using a pipe wrench or pair of pliers. Position the showerhead by rotating it clockwise. Turn the water supply on and check for leaks. Check all threaded connections periodically to make sure they are tight. If the shower outlet arm threads are damaged or not in accordance with standard specifications, pipe tape may be required to assure a proper seal.

OPERATION

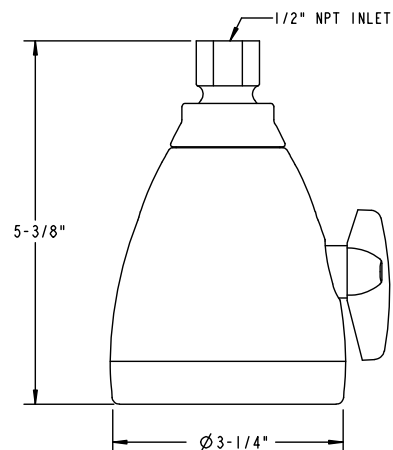
To adjust the spray pattern of the showerhead, simply rotate the handle to the desired spray (Full-Body, Dual action or Massage).

MAINTENANCE

Periodic cleaning using mild soap and warm water will help keep your SPEAKMAN ANYSTREAM® showerhead's appearance in its original condition. For best results, dry immediately with a soft, clean cloth. **Caution: Do not use harsh and/or abrasive cleaners on showerheads.** In certain water conditions, mineral deposits may form on your faceplate. To reduce the mineral build-up, turn the handle to FLOOD position to let the water drain out after every use. A gentle scrubbing of the plunger or channels with a toothbrush should restore your spray pattern. On **chrome** plated showerheads, white vinegar/water treatment will assist in breaking down excessive mineral deposits on the sprays. The showerhead faceplate can be soaked in a two (2) parts white vinegar & (1) part water solution for about 1/2 hour to break up the mineral deposits. Rinse thoroughly. Brush off any remaining mineral deposits if necessary. **CAUTION: On all special finish parts, including any of the nickel or brass finishes, the white vinegar/water treatment should not be used.**

ROUGH-IN MEASUREMENTS

Product improvements may cause specification and dimensional changes without notice.



SPEAKMAN®

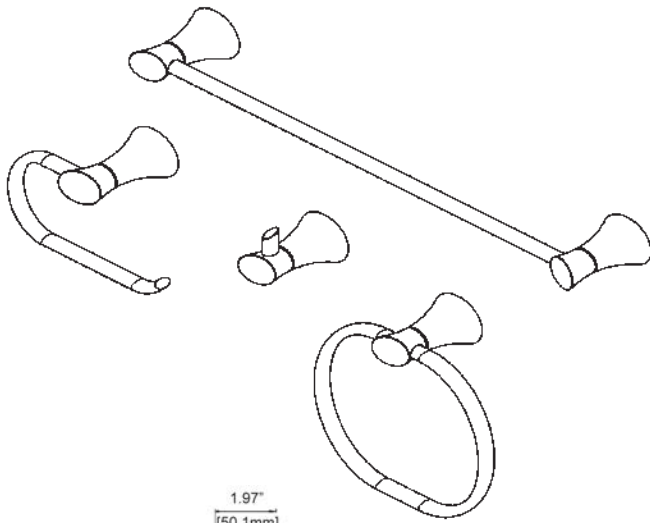
PO Box 191 Wilmington, DE 19899 Phone: 800-537-2107 Fax: 800-977-2747
Visit us on the web at www.speakmancompany.com

1/11
REV 1
92-3205

SPEAKMAN CASPIAN™

Accessories

SPECIFICATION



FEATURES:

- SA-1207: 24" towel bar
- SA-1204: Towel ring
- SA-1205: Paper holder
- SA-1206: Robe hook
- Metal construction

AVAILABLE FINISHES:

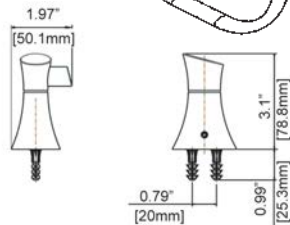
ADD SUFFIX TO MODEL #

- Polished Chrome (standard)
- Brushed Nickel -BN
- Polished Nickel -PN

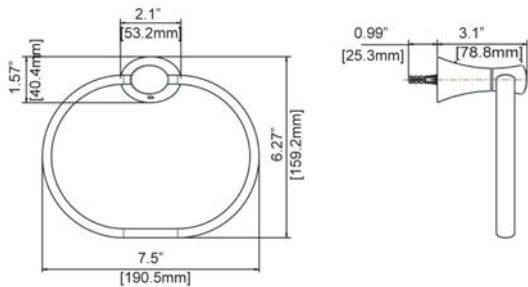
WARRANTY:

- 1 year limited

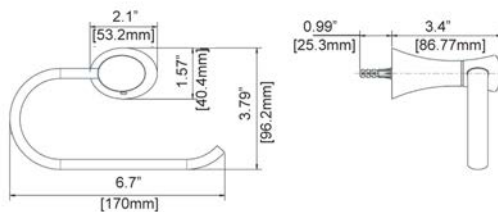
Robe Hook
SA-1206



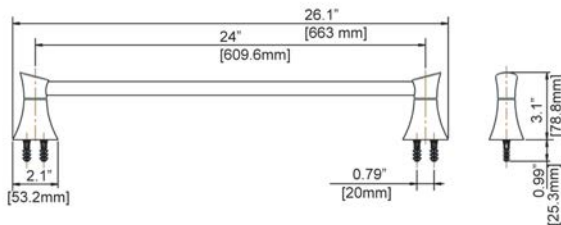
Towel Ring
SA-1204



Tissue Holder
SA-1205



Towel Bar
SA-1207



NOTE: 1. All dimensions are in inches (millimeters) unless otherwise specified and are subject to change without notice.

THIS SPACE FOR ARCHITECT/ENGINEER APPROVAL.

SPEAKMAN®

400 ANCHOR MILL ROAD | NEW CASTLE, DE 19720
P: 800-537-2107 | F: 800-977-2747
WWW.SPEAKMANCOMPANY.COM

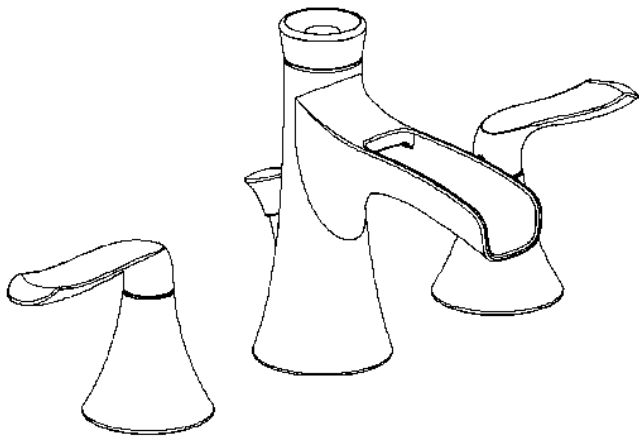


REVISION DATE: DEC. 2012

SPEAKMAN CASPIAN™

8" Widespread Faucet SB-1221

SPECIFICATION



FEATURES:

- Lead-free brass construction
- ¼ turn ceramic cartridge
- 1.5 gpm flow rate
- Contemporary style
- Includes drain assembly
- Quick connect fittings

COMPLIANCE:

- Certified to ASME A112.18.1/CSA B125.1, NSF61 and WaterSense standards
- CA AB 1953 certified



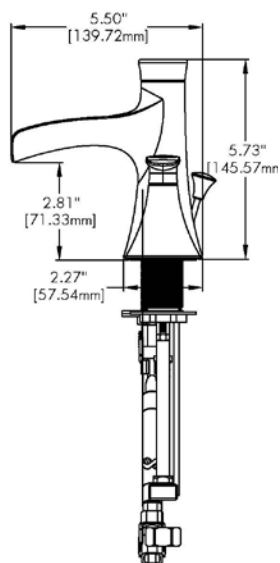
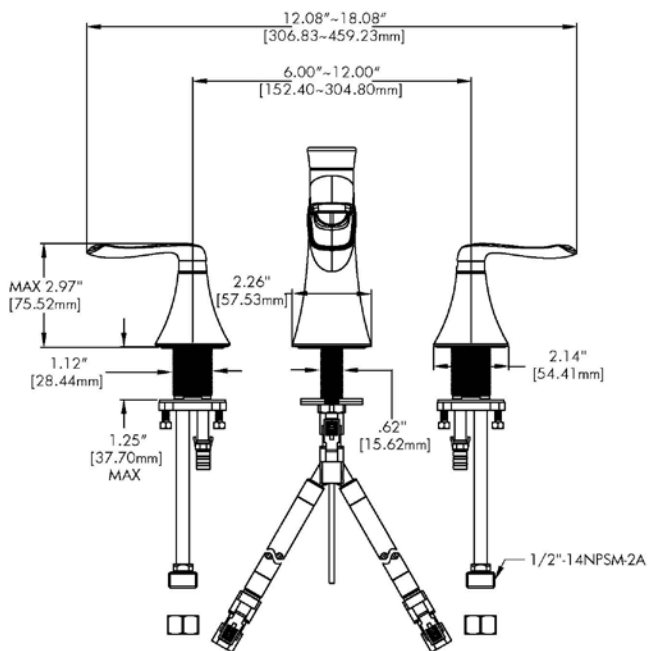
AVAILABLE FINISHES:

ADD SUFFIX TO MODEL #

- Polished Chrome (standard)
- Brushed Nickel -BN
- Polished Nickel -PN

WARRANTY:

- 1 year limited



NOTE: 1. All dimensions are in inches (millimeters) unless otherwise specified and are subject to change without notice.

THIS SPACE FOR ARCHITECT/ENGINEER APPROVAL.

SPEAKMAN®

400 ANCHOR MILL ROAD | NEW CASTLE, DE 19720
P: 800-537-2107 | F: 800-977-2747
WWW.SPEAKMANCOMPANY.COM

Management Systems
Registered to ISO 9001

REVISION DATE: FEB. 2013