

## VS-232007



## VS-233010



## VS-233011



## VS-233013



## VS-233014



## Diverter Mount Combination Units

### GENERAL SPECIFICATION

Chrome plated 2-way shower diverter. Anystream massage hand showers mounted to a 2-way diverter bracket. Units include a fixed showerhead, 5' metal hose, and vacuum breaker. Showerheads are equipped with 2.5 gpm flow controls to meet ASME A112.18.1/CSA B125.1 standards.

#### VS-232007

Chrome plated diverter mount combination unit with S-2007 showerhead and VS-2007 hand shower.

#### VS-233010

Chrome plated diverter mount combination unit with S-3010 showerhead and VS-3010 hand shower.

#### VS-233011

Chrome plated diverter mount combination unit with S-3011 showerhead and VS-3011 hand shower.

#### VS-233013

Chrome plated diverter mount combination unit with S-3013 showerhead and VS-3014 hand shower.

#### VS-233014

Chrome plated diverter mount combination unit with S-3014 showerhead and VS-3020 hand shower.

### OPTIONS

SUFFIX	DESCRIPTION
<input type="checkbox"/> BN	Brushed nickel finish
<input type="checkbox"/> PB	Polished brass finish (VS-232007 only)

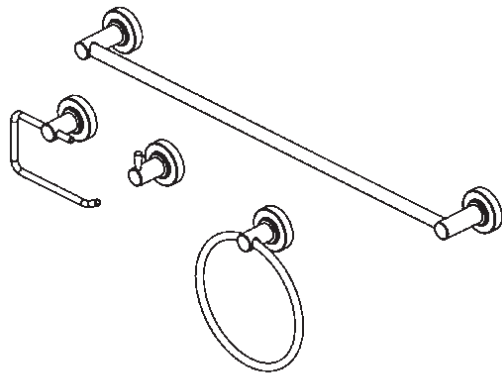
This space for Architect/Engineer approval.



# SPEAKMAN NEO™

## Accessories

SPECIFICATION



### FEATURES:

- SA-1007: 24" towel bar
- SA-1004: Towel ring
- SA-1005: Paper holder
- SA-1006: Robe hook
- Metal construction

### AVAILABLE FINISHES:

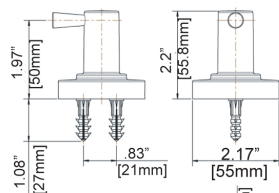
ADD SUFFIX TO MODEL #

- Polished Chrome (standard)
- Brushed Nickel  -BN
- Polished Nickel  -PN

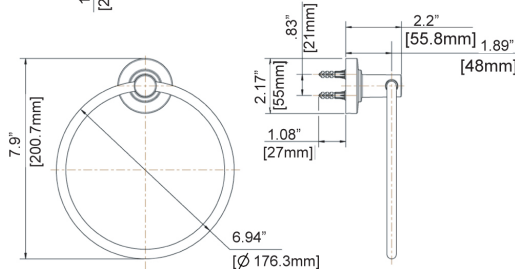
### WARRANTY:

- 1 year limited

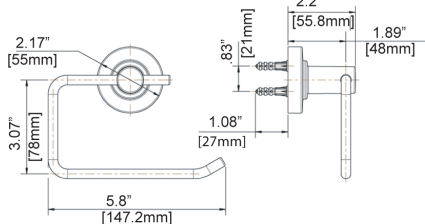
Robe Hook  
SA-1006



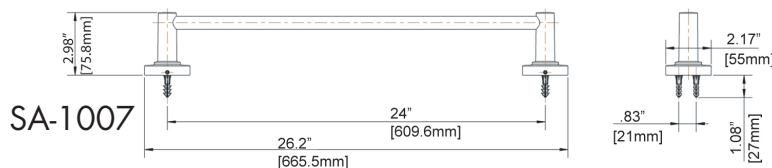
Towel Ring  
SA-1004



Tissue Holder  
SA-1005



Towel Bar  
SA-1007



NOTE: 1. All dimensions are in inches (millimeters) unless otherwise specified and are subject to change without notice.

THIS SPACE FOR ARCHITECT/ENGINEER APPROVAL.

# SPEAKMAN®

400 ANCHOR MILL ROAD | NEW CASTLE, DE 19720  
P: 800-537-2107 | F: 800-977-2747  
WWW.SPEAKMANCOMPANY.COM

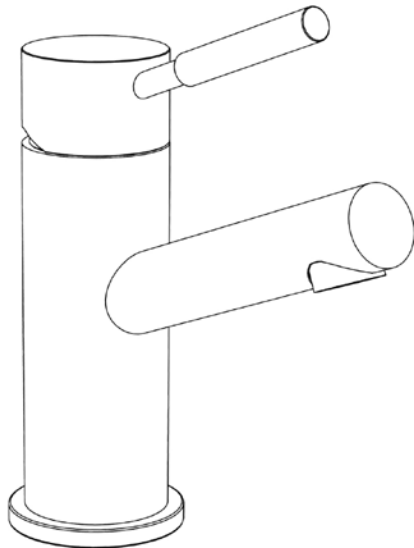
REVISION DATE: APRIL 2013

Management Systems  
Registered to ISO 9001

# SPEAKMAN NEO™

## Single Lever Faucet SB-1003

SPECIFICATION



### FEATURES:

- Lead-free brass construction
- Ceramic cartridge
- 1.5 gpm flow rate
- Modern style
- Includes drain assembly

### COMPLIANCE:

- Certified to ASME A112.18.1/CSA B125.1, NSF 61 and WaterSense standards
- CA AB 1953 certified



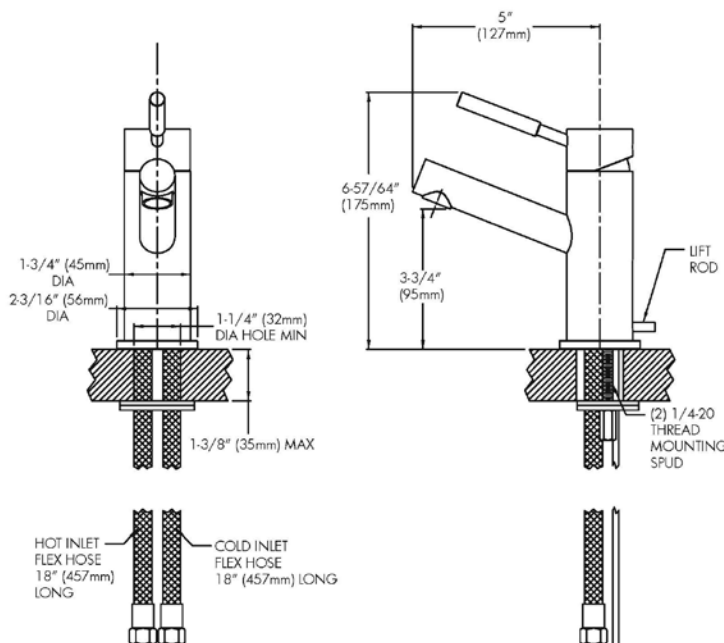
### AVAILABLE FINISHES:

ADD SUFFIX TO MODEL #

- Polished Chrome (standard)
- Brushed Nickel  -BN
- Polished Nickel  -PN

### WARRANTY:

- 1 year limited



NOTE: 1. All dimensions are in inches (millimeters) unless otherwise specified and are subject to change without notice. 2. Flex hoses have 3/8 compression female threaded connections.

THIS SPACE FOR ARCHITECT/ENGINEER APPROVAL.

# SPEAKMAN®

400 ANCHOR MILL ROAD | NEW CASTLE, DE 19720  
P: 800-537-2107 | F: 800-977-2747  
WWW.SPEAKMANCOMPANY.COM

REVISION DATE: FEB. 2013

Management Systems  
Registered to ISO 9001