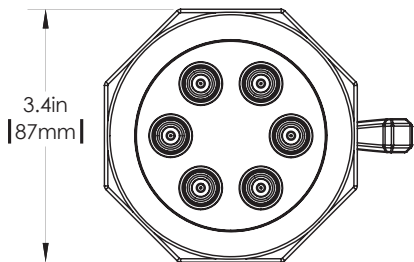
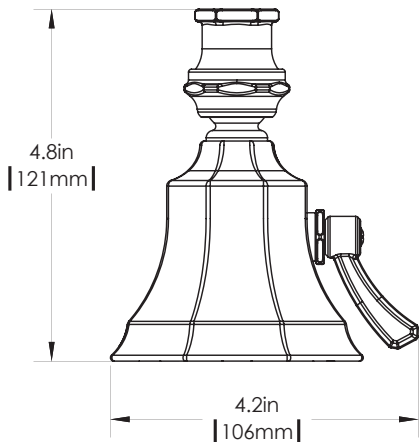
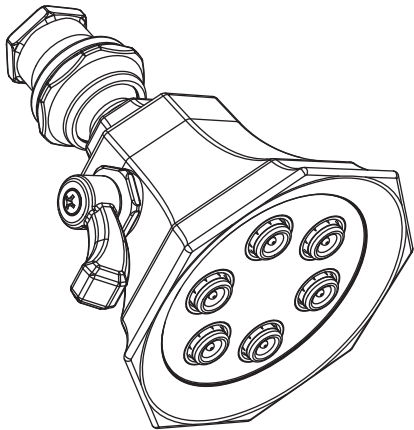


SPEAKMAN VINTAGE™

Showerhead S-2255

SPECIFICATION



FEATURES:

- 1920s Speakman showerhead inspired design
- 6 jets with 48 spray channels
- Solid brass construction
- Spray adjusting handle
- 2.5 gpm (9.5 L/min) flow rate

AVAILABLE FINISHES:

ADD SUFFIX TO MODEL #

- Polished Chrome (standard)
- Brushed Nickel -BN
- Polished Brass -PB

COMPLIANCE:

- Certified to ASME A112.18.1/CSA B125.1

OPTIONS:

- 2.0 gpm (7.6 L/min) flow rate -E2

WARRANTY:

- 1 year limited

NOTE: 1. All dimensions are in inches (millimeters) unless otherwise specified and are subject to change without notice.

THIS SPACE FOR ARCHITECT/ENGINEER APPROVAL.

SPEAKMAN®

400 ANCHOR MILL ROAD | NEW CASTLE, DE 19720
P: 800-537-2107 | F: 800-977-2747
WWW.SPEAKMANCOMPANY.COM



REVISION DATE: OCT. 2012